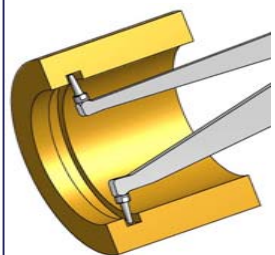
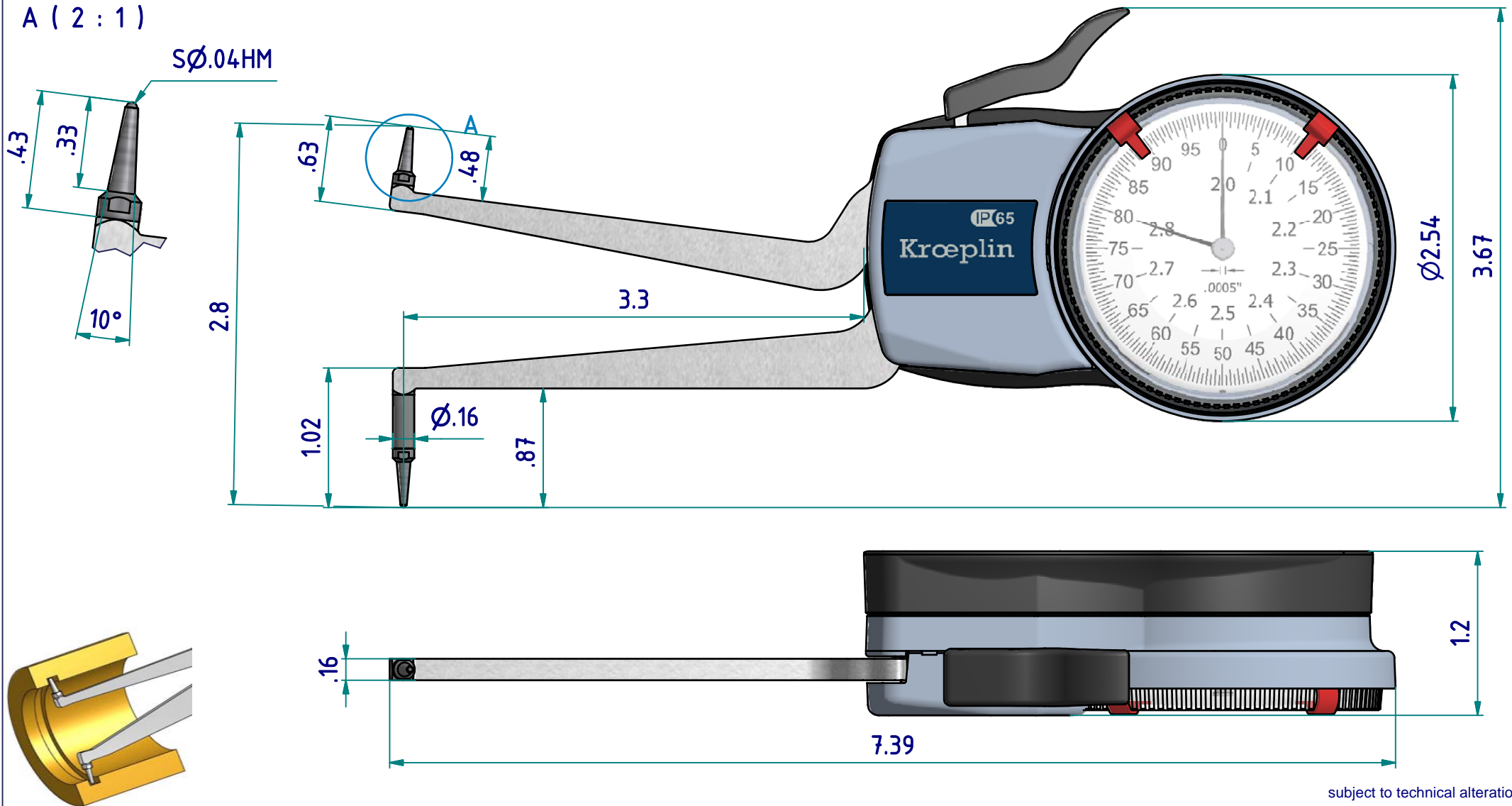


# data sheet: H750

Kroepin GmbH  
Gartenstraße 50  
D-36381 Schlüchtern

Tel.: 06661 86 0  
Fax: 06661 86 39  
Mail: sales@kroepin.com  
Web: www.kroepin.com

**Kroepin**  
Längenmesstechnik

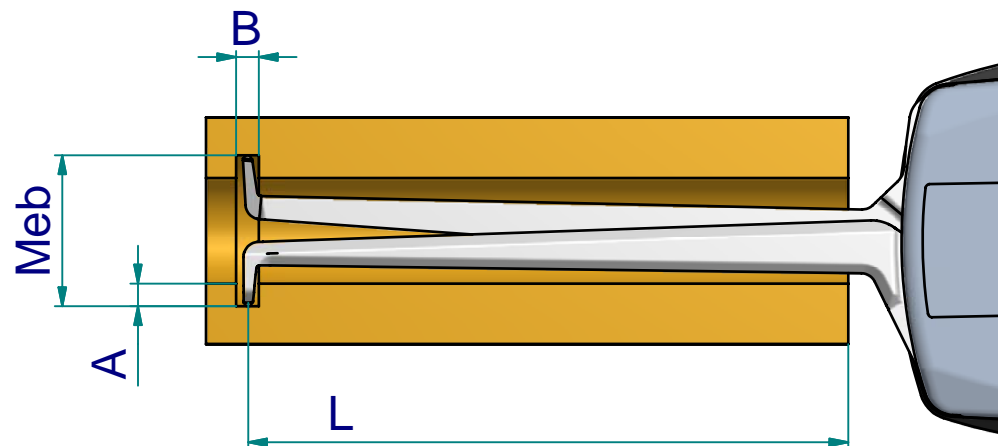


subject to technical alterations

type: H  
range: 2.00 - 2.80 INCH  
range of indication: 1.98 - 2.82 INCH  
digital step: -  
scale interval: .0005 INCH  
measuring force: 1,1 - 1,6 N  
weight: 195 g

acceptable deviations  
VDI/VDE/DGQ 2618 Bl. 12.1/13.1)  
max. permissible errors "G": .0015 INCH  
repeatability "r": .0005 INCH  
reference temperature: 20° C  
operation temperature: 10° C - 30° C  
storage temperature: -10° C - 50° C

scale: 1:1  
drawing-nr.: DAB-H750\_KR\_I  
date of issue: 14.01.09  
name: T.Koenig  
revision status:  
revision date:



measuring capacity

		measuring range Meb [INCH]										
		1.97	2.05	2.13	2.20	2.28	2.36	2.44	2.52	2.60	2.68	2.76
groove depth A [INCH]		0 / 3.21	0 / 3.24	0 / 3.26	0 / 3.30	0 / 3.37	0 / 3.41	0 / 3.43	0 / 3.43	0 / 3.44	0 / 3.45	0 / 3.46
	.04		.06 / 3.22	.06 / 3.25	.06 / 3.28	.06 / 3.33	.06 / 3.39	.06 / 3.42	.06 / 3.43	.06 / 3.43	.06 / 3.44	.06 / 3.45
	.08			.07 / 3.23	.07 / 3.26	.07 / 3.29	.07 / 3.35	.07 / 3.40	.07 / 3.42	.07 / 3.43	.07 / 3.43	.07 / 3.44
	.12				.07 / 3.24	.07 / 3.27	.07 / 3.31	.07 / 3.37	.07 / 3.41	.07 / 3.42	.07 / 3.42	.07 / 3.43
	.16					.08 / 3.25	.08 / 3.28	.08 / 3.33	.08 / 3.39	.08 / 3.41	.08 / 3.41	.08 / 3.42
	.20						.09 / 3.26	.09 / 3.29	.09 / 3.35	.09 / 3.39	.09 / 3.41	.09 / 3.41
	.24							.09 / 3.26	.09 / 3.30	.09 / 3.36	.09 / 3.40	.09 / 3.40
	.28								.10 / 3.27	.10 / 3.31	.10 / 3.37	.10 / 3.39
	.31									.11 / 3.28	.11 / 3.32	.11 / 3.38
		B / L										

subject to technical alterations

**drawing-nr.:** DAB-H750\_KR\_I  
**date of issue:** 14.01.09  
**name:** T.Koenig

**revision status:**  
**revision date:**

**B = minimum groove width [INCH]**  
**L = maximum usable arm length [INCH]**

Example: Meb = 2.20 B = .07  
A = .12 L = 3.24