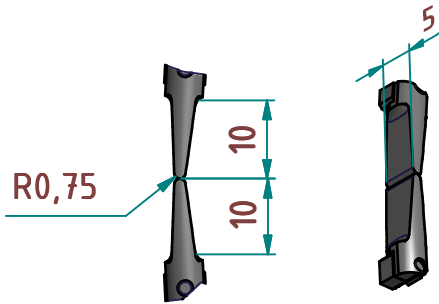


A (1:1)



Chisel contacts
hardened HRC 55

subject to technical alterations

type: M200
range: 0 - 50 mm
range of indication: 0 - 50,5 mm
digital step:
scale interval: 0,050 mm
measuring force: 0,8 - 1,7 N
weight: 430 g

acceptable deviations
VDI/VDE/DGQ 2618 Bl. 12.1/13.1)
max. permissible
errors "G": 0,050 mm
repeatability "r": 0,025 mm
reference temperature: 20° C
operation temperature: 10° C - 30° C
storage temperature: -10° C - 50° C

scale: 1 : 2
drawing-nr.: DAB-D450S_KR_en
date of issue: 12.04.2013
name: Lange
revision status:
revision date: