

Svuzv€^ €tr€}vz^ €x1
^ vtyr€ztyvR^ üv€ttyév))#r tv...1

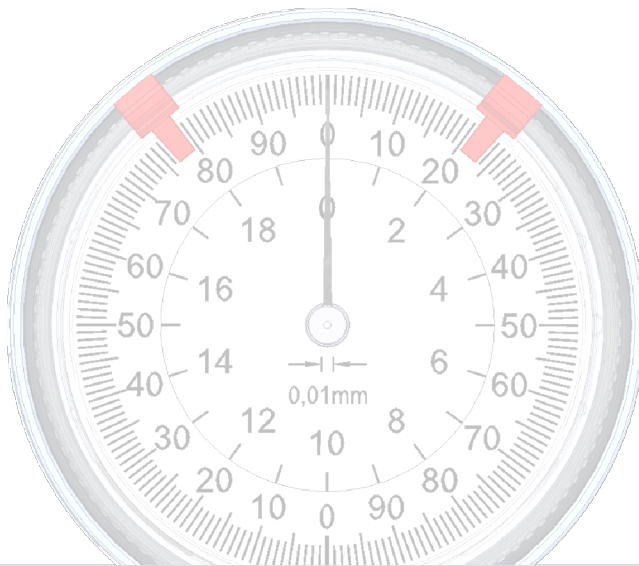
f tv...t1^ r€^ r}1
V€ tv. €r }b^ z| tv#1

^ , uv1u v~ f}, z1
ar}fv^ .t1k# .zv .t1- tr€z^ vt1

^ r€^ r}1uv1€t#.^ttz €vt1
ar}fru, .vt1k#tv.z .vt1

1

IP65

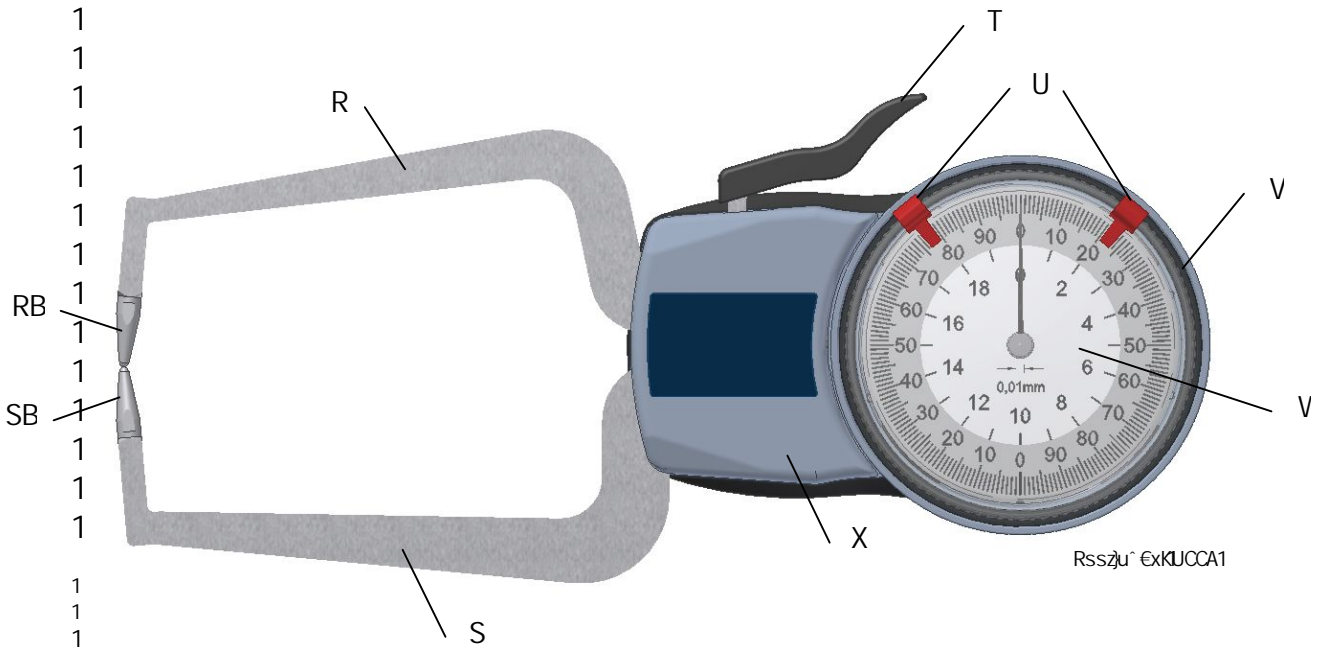


U1 tv.zv1

Kroeplin
Längenmesstechnik

1

^ .: sv.tzyt



- R1 svŠ vx}zyv. 1er ttr .: 1
- RB1 ^ vtt|, €tr | t
- S1 wtiv. 1er ttr .: 1
- SB1 ^ vtt|, €tr | t
- T1 er ttr .: sv ttr ^ Ex1
- U1 e, y.r.€ ~ r. .v€1
- V1 u.vysr.v.Wtt^ Ex1- zt| rjv€. zEx1
- W d|rjv€ttvzv1
- X1 Xvyp^ tv1 Uvt|v}1

Yr€uyrs^ Ex1vttKv.p}vt}svz- 1^ vttv€1

U...t|v€1bz/uz/1er ttr .: sv ttr ^ Ex1: 1%}t}p€uzt €u}s. zExv€1bz/ur ttr vttv.p}t€1
^ vttt} } Ex?1



dtv, €v€1bz/uz/1^ vtt|, €tr | t RB<SB: t €u1v€1svŠ vx}zyt 1er ttr .: 1R: 1€uv~ 1bz/1
ur ttr vttv.p}t- x}zyt}1 y€v}v...y...€x1vtt}a...v}€x1€1^ vttt} } Ex}s. zExv€?1
1

1
Yr}v€1bz/ur ttr vttv.p}t} py.v€u1v..1^ vtt^ Ex}, t|v.1. €u1r ttv€1bz/uz/1er ttr .: >
sv ttr ^ Ex1: 1, t?1

U^ .ty}t}tyŠ v€|v€1 uv. 1gv. t}tyzv€1vttKv.p}vt} zu1r t1zyt}zv}a...w rù1v.~ zt}t}1
Yzv.svz} ^ tt}uv.1- r<z- r}y1 uv.1- z}z- r}ykvzv.r^ tt}y}rx}sv, srty}vt}t}v.uv€?1
1

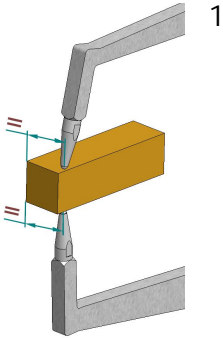


g, .1}uv.1^ vtt.vzv}t}t}ur ttr Kv.p}t}u^ .ty1z}v}gv.x}zyt}- vtt^ Ex1- zt}z}v~ 1
v€tt}f.vtyv€uv€1v€u~ rù1^ 1 sv.f...w€19 R€ vzv1 1, ..v| t} .: ?1
1

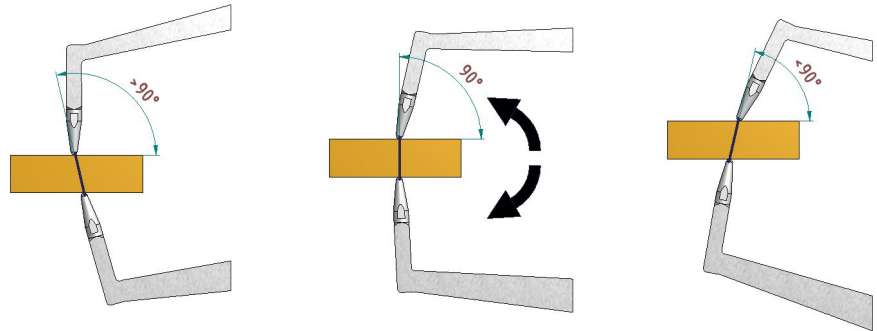
Yr€uyrs^ €xlvfKv.pfvfsvz- 1^ vttv€1

1

g, .r.ˆ ttfˆ €xK1
 Uz1^ vtrtytv1- ^ tt1
 tv€|.vty1^ .1.
 ^ vttvptyv1tv€21

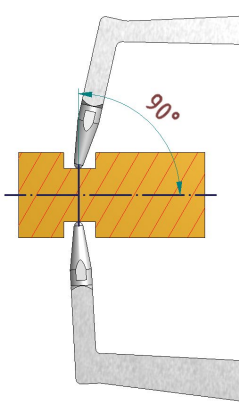


V.~ zff^ €xlvf1^ z€- r}1 1^ rüv1uˆ .tyP%€ z|rjvt1dtyŠv€|v€1
 uvfKv.pfvf19 fz- rjv1^ vtt^ €x: ?1

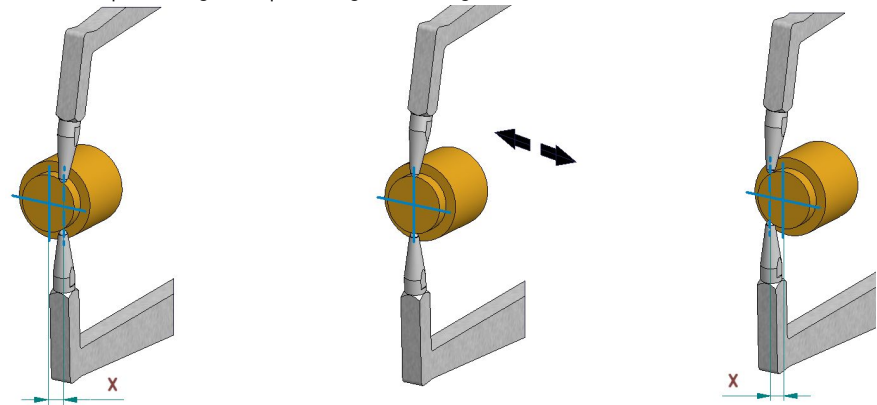


^ vttŠv.1 1 1 ^ vttŠv.1 1 ^ vttŠv.1 1
 ^ k.,ü11 1 1 .zvtz1 1 1 ^ k.,ü1

g, .r.ˆ ttfˆ €xK1
 Uz1^ vtrtytv1- ^ tt1
 tv€|.vty1^ .1.
 ^ vttvptyv1tv€21



V.~ zff^ €xlvf1^ r€z- r}1 1^ rüv1svz1.€uv€1bvzv€1ty- rjv€1_ 1^ €1
 , uv.1^ .v€Rstpt^ v€uˆ .ty1tvz}ztyv1gv.1tyzs^ €xlvfKv.pfvf1šv€€1
 v€P%€ z|rjvt1dtyŠv€|v€€zty1- x}zty1t1?

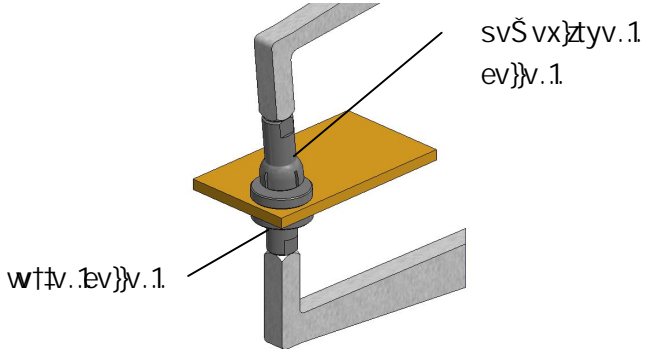


^ vttŠv.1 1 1 ^ vttŠv.1 1 mmm^ vttŠv.1
 ^ 1}v€11 1 1 .zvtz1 1 1 mmm^ 1}v€1

kˆ .1^ vtt^ €xP%€1.€uv€1bvzv€1vz€v€1tzy1svttv.1Kv.pfvf- zff
 dty€zv€1 1^ vtt|, €tr|tv€19 1evty€ztyv1Ur tv€?1

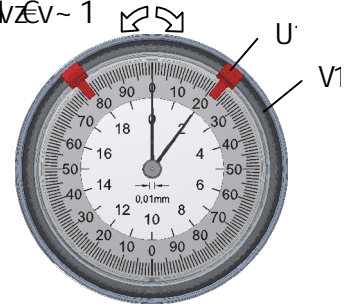
g, .r.ˆ ttfˆ €xK1
 Uv.1w1tv1v}v.1- ^ tt1~ 1
 ^ vttvxv€1tr€uf}r€1
 r€}zv€€21

^ vtt^ €xP%€1vty- rfv.z}19?dtyrˆ ~ t} w1- zff
 ev}v.1 1^ vtt|, €tr|tv€1?
 V€dtyŠv€|v€1 €ugv.1tyzsv€1lvfKv.pfvf1t1€zty1€ z€-ur 1tzy1v.1
 ev}v.1^ vtt|, €tr|tr- 1svŠvx}ztyv€1rtr.1- 1^ t.zty1t1?
 1



RE' vzxv1 1, ..x| f' .1

g, ..1vuv.1' vtt.vzv vttur tKv.p1u' .ty1zv gv.x}vzyt- vtt' Ex1- z1vzv~ 1
 vEttf.vtyvEuV1Eu~ ru1^ 1 sv.f...wE?1
 Svzvzv..RsS'vzy^ ExP%o- d, }}- ru1, ..xzv.vEtdz1uz RE' vzxv- z1
 Yzv1uv.1u.vysr.vE1Wtt' Ex1- z1d|r}vE. zEx19: ?1
 Wy.vEtdz1t, 1rExvS'vzv.v1, ..x| f' .vE1u' .ty-zz1ur t d, }}- ru1
 v..vzyt1z1t?



1
1



k' .M.y y^ Ex1uv.1' vuvvE^ z|vz1t, }}1ur tKv.p1E1uv.1rxv1, ..xzv.1
 Šv.uvE-1E1uv.1' ty1tEtyzvuvEu1uz1' vtt' ExP%oxvE, ~- vEŠzu?1

1

e, }v.r.E' ~ r..|vE1

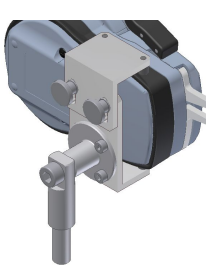

U' .ty1gv.ttyzsvE1uv.1svzvE1e, }v.r.E' ~ r..|vE19:1^ vuv.1Wtt' Ex19:1rE1vzE1
 '^ }p1tzv.1e, }v.r.E' sv.vzy1zvzv1t}}1Šv.uvE?Mzv.u' .ty1z1vzE1tyE1v}}1t' sv.f...wE1
 vzE1t'vzv1t^ W' ru1r }tz|vz1kvS'py. }z1t1t?

V.tr f' }zv1@k^ svy .1

evzv> .1

- BAHA>BB1 Wtt' Ex19:1
- BAHA>BC1 B1t' t|1e, }v.r.E' ~ r..|vE19:1
- BAHA>AD1 Xvy?1vt|v}19:1

1

~ - 1Kv.p1v1	zEty 1Kv.p1v1	RB' 1	SB' 1	dtr 12%r}1v...E1	Y, } r1t1vE1
UBBA1	UGBA1	ACFB>AE1	ACFB>AE1	1	1
UBBAe1	UGBAe1	BFDD>FB1	AHAB>1H1	I AAE>FA1	BHDC>EF1
UBBA1d1	UGBA1d1	1	1		
UBcBA1	UGcBA1	ACFB>AE1	1		
UBcBA1d1	UGcBA1d1	1	1		
1	1	1	1		
UCCA1	UHCA1	ACFB>AE1	ACFB>AE1		
UCC Ae1	UHCAe1	BFDD>FA1	AHAB>1F1		
UCC Ad1	UHCA1d1	1	1		
UCcCA1	UHcCA1	ACFB>AE1	1		
UCcCA1d1	UHcCA1d1	1	1		

::1

- RB1 ^ vtt|, Etr| 19 ~ 1svS vx}zyvE1er ttr ...:1
- SB1 ^ vtt|, Etr| 19 ~ 1wt1vE1er ttr ...:1
- 1 ^ vtt|, Etr| 1vE1zyt1t' ttr^ t1ysr.1

1

V. tr # tvz@k^ svy .1

1

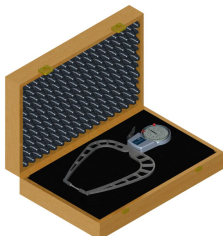
evzv> .?k1

BAHA>BB1 Wtt^ €xT:1

BAHA>BC1 Bdt t| e, }v.r.€' ~ r..|vT:1

BAHA>DC1 Xvy?Uvt|v}T:1

1

~ ~ 1Xv. p1v1	zEty1Xv. p1v1	RB'1	SB'1	Y, } r t v € 1
UEFA1	UJFA1	ACFB>CG1	ACFB>CG1	
UEFAe1	UJFAe1	BFAD>AE1	AHAB>D1	
UEFAd1	UJFAd1	1	1	
UEFAS1	1	ACFB>CA1	ACFB>CA1	
UEFAW	1	ACFB>CA1	ACFB>CA1	
UEBAA1	1	ACFB>CA1	ACFB>CA1	
UEBFA1	1	ACFB>CA1	ACFB>CA1	
UEcFA1	UJcFA1	ACFB>CG1	1	
UEcFAd1	UJcFAd1	1	1	
UI BAA1	1	ACFB>CA1	ACFB>CA1	
UI cBAA1	1	ACFB>CA1	ACFB>CA1	Y\1
UI BAAe1	1	BFAD>AE1	AHAB>D1	

::1

RB1 ^ vtt|, €r | tP ~ 1svŠ vx}zyv€1r tP .: :1

SB1 ^ vtt|, €r | tP ~ 1wtv€1r tP .: :1

1 ^ vtt|, €r | tP €zyt^ tP^ ttysr.1

1

1

1

1

1

Xr.r.€t1

W.luz1v1Kv.p1}vz1v€Š z.Xr.r.€t1kv~ p1}r ty1}vyv€v€Švuz€x^ €xv€K1

1

B?h z.lsvyvsv€1^ €v€t1v}j}z1}r ty1^ rùxrsv1uv.1w}xv€uv€1Svuz€x^ €xv€19_ .?ICF: 1dtypuv€1 , uv.1^ p€xv}1r~ 1Xv.p1}uz1}r ty1S v}z1}z1}r^ vW€v~ 1W.tz^ €xtwy}v.1sv.1yv€1S v€1t1z1 ^ €t1^ €%a!.. x}z1}r ty1Wt1}v}€ x1^ €u1€€v.yr}1%€1CE1^ , €r t1€1}r ty1\}r^ w}r} ~ 1 xv~ v}uv}1 Š v.uv€?1 Vz€v1 Xr.r.€t1fv}z1}1 Š zu1 €z1}1 r^ txv} t1} u^ .ty1 xv.€xwxzv1 RsŠ vz1y^ €xv€1%€1uv.1d, }Sv}t1yrw}€yvz1}uz1}w.1h v.1} €u1Xvs.r^ ty1}r^ x}z1}v}z1}uv}1 Xv.p1}t1 €v.yvs}z1}t1}€u?1

1

C?Uz1Xr.r.€t1}vz1} €x1v.w}x1}€1uv.1h vz1v}ur t1}~ r€xv}yr v}1evz1}r ty1^ €tv.v.1h ry}1 ^ €v€t1v}j}z1}1 €t1}€uxv}t1}1 , uv.1 u^ .ty1 v€Š r€uw}z1 evz1} v.1t1}1 Š v.uv€?1 Uz1 svr€t1}€uv}t1}€1Xv.p1}t1}€u1r€1^ €t1vz€^ t1}€uv€?1 Ursvz1}z1}uz1}cvty€^ €x1~ z1}\r^ w} ^ €u@ uv.1}zw.w}ur} ~ 1%a!} }xv€?M.t1} t1}evz1}kv}v€1€t1 €tv.1}zv€t1 ~ 1 sv.?

1

D?Uv.1 Xr.r.€t1r€t1f.1}ty1 v.}z1}t1}1 Š v€€1 cvfr.r.} .v€1 , uv.1 Vz€x.zww1 %€1 av.t, €v€1 %a xv€ , ~ ~ v€1Š v.uv€1uz1}yz1}!^ 1%€1^ €t1€z1}1v.1. pty}z1}t1}€u1, uv.1Š v€€1^ €tv.v1 Xv.p1}1~ z1}V.xp€^ €xt>1, uv.1k^ svy .1}z1}v1%a.t1}v}v€1Š v.uv€1uz1}€z1}1}v.z€~ pùz1 ur.r^ w}sxv}t1}~ 1t1}€u?1

1

E?h z.lv.s.€xv€1uz1}Xr.r.€t1}vz1} €x1, y€v1Sv.vty€^ €x1%€1_vsv€|, t1}€19W.r.t1}1^ €u1 gv.frt1^ €xt|, t1}€:?

1

F?Xr.r.€t1}vz1} €xv€1svŠ z|.v€Š vuv.1z€v}gv.}p€xv.1€x1uv.1Xr.r.€t1w}z1}1€, ty1}t1} v€1t1z1 v}€v1€^ v}Xr.r.€t1w}z1}1€1}r^ v}1

1 Uz1Xr.r.€t1w}z1}1w.1z€xvsr^ t1}V.t1} t1}z1}v}€uv}t1} z1}uv.1Xr.r.€t1w}z1}1w.1ur}t1}kr€^ v1 Xv.p1}?

1

G?h vz1v.xvyv€uv1, uv.1r€uv.v1R€t1f...tyv}z1}tsvt, €uv.v1t, }tyv1r^ vW.t1}1r^ uv.yr}1uv}1 Xv.p1}t1}v€t1}€uv€v.1dtypuv€1t€u1>1, Š vz1}vz€v1Yr w} €x1€z1}1' Š €xv€u1xv}t1} z1}ty1 r€xv, .u€v}t1}t1}^ t1}v}ty}, t1}€:?

1

H?levty€z1}tyv P€uv.1€xv€1svyr }t1}€Š z.1 €t1%a?1

1

\..vf}€K~ sY1

Xr.t1}€t1}r.ùvFA1

DGD Bdt1} ty1}v.€1

e1EJ 1A: GGGB1 GA1


1

ers}v1 vlt, €tv€t1

Æt., u' tÿ €
 dt, fv1 vlt ff)
 eyvkrxv1 t k}r €tv
 Yr €u}æx1u' .æx1- vr f' .v~ v€t
 Uv tv. := æx1 vlyv1 æz- ^ ~
 Uv tv. := æx1 vlyv1 r < z- ^ ~
 ^ vr f' .v~ v€t ß zy1v1 t- vr f' .æx1t, €t t t
 Uzt f}r €r u{ t- v€t
 e, }v.r. €tv1- r. | t
 dfr. v}fr. #1 @ Rttv t, .z t
 h r...r. €t
 evty €zr }ur # ð ~ k1 €ty kr xv t:

Æt., u^ tÿ €1

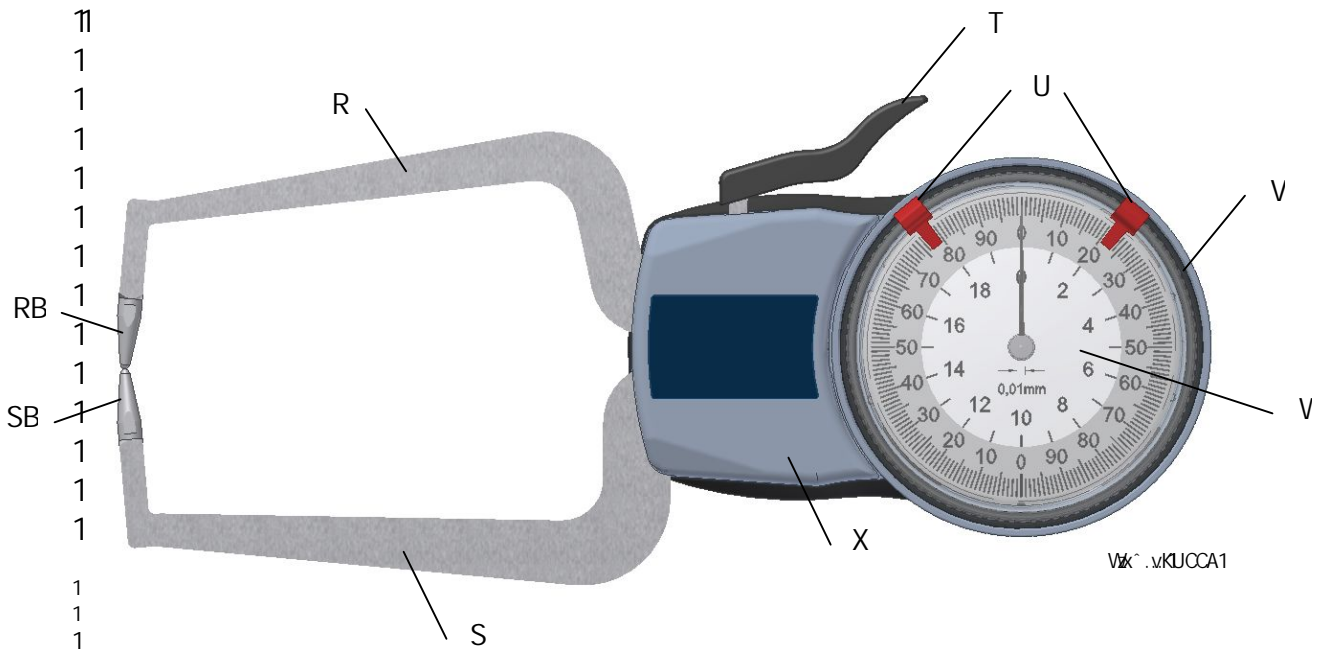
h vlyr €| tE^ P% €t ^ ty1w. tE^ .t, €vuv €tv1 €f^ .tyr tæx1lyz f' .u' t f
 eyz1- vr f' .æx1 kr xv t1- r €^ wt f' .vu ß zy1 zy1 f' .vtz z €f r. #1 €u1 tr. vw} €t t v~ s }vu?
 eyv. vw. v. tE% .t. €t, 1z r t v~ s }v1 .t yr €xv1 €€t vlyv1 €tv. z .f r. #1 vlyz1 kr xv?
 U, t, t- , uz €t v1- vr f' .æx1. := t? U, t, t u., f1 .t y, t | t yz1 kr xv?
 a., t vt1 kr xv1 xr æt1 zy1 t v~ fv. r. f' .v= y^ ~ z z t €u^ t t €u1 z t?
 W. t t sv t v. t t^ .r. t €t €u1 v. fvr # s z t €t yz1 kr xv t y, ^ }u sv t tvu ß zy1 €t €1 fv. r. t æx1
 t v~ fv. r. f' .v1 v €A k @ BA €t?
 eyz1 kr xv t t tvu t, t- vr f' .v1 v t v. €r }uz ~ v t v. t? t t y, ^ }u1 €} €sv t tvu1 w. t yz1 f' .f, tv?
 \., v f} €t t t ~ v t t, 1. v t f, €t s z t €t w. 1. ur ~ rxv t t r^ tvu t €t- z yr €u} æx?
 1

1
 tE1 .uv. t, t tyz/ % t yv t sv t t t v1 vlyz1- vr f' .æx1 €t t. ^ ~ v €t t t t t, t t- f, . # €t t
 t yr t tE^ 1 w t t vru t yv1 fv. r. t æx1 €t t. t t t €t t €u1 yr % t1 vru €t, } yr €u?
 1

dt, fv1 vlt ff)€

- 1
- || ^ vr f' .æx1 kr xv1
- || ` fv. r. t æx1 €t t. t t t €t1
- || Tv. t z r t v1 vlt ^ r} z t €

eyvkrxv1 t1 k1 Etv1



- R1 ^ , %s)1- vr t1 .Ex1... 1
- RB1 ^ vr t1 .Ex1t, Et t1
- S1 Wvu1- vr t1 .Ex1... 1
- SB1 ^ vr t1 .Ex1t, Et t1
- T1 `fv.r.tEx1)%.1
- U1 e,)v.r.Etv1- r..|t1
- V1 c, t1 Ex1 ^ tv.luz)1
- W Exv.luz)1 1
- X1 T, %.1

YrEu}Ex1u ^ .Ex1- vr t1 .v~ vEt1

a.vt1 tyv1 fv.r.tEx1)%.1:1 tyv1 tr)zv.fv.t... t, ~fv)v)E, ŠEŠr.ut1Euš.Ex1 tyv1
 rrxv1E, tyv1 vr t1 .Ex1f, taz €?



a)vr tv1sv1tr.vw)Š zy tyv1- vr t1 .Ex1t, Et t1 RB<SB.1Eu tyv1- , %s)1tr)zv.1
 r... 1R:1Eu)E, 1, tr tv tyv1krxv1E tyv1 vr t1 .Ex1f, taz €Š zy, ^ t1, ^ tyEx1 tyv1
 Š, .|fz tv?

Y,)u tyv1krxv1, , tv1u ^ .Ex1- vr t1 .v~ vEt1Eu1v)vr tv1 tyv1 fv.r.tEx1)%.1:1
 e, lv tv... zEv tyv1t, ...vt t- vr t1 .Ex1%š v f)vr tv1f2%o1 .luz f)tr tyv1krxv1Eu t|v1
 tyv1 zE~ ^ ~ 1..r<z ^ ~ lvv)t z €1 tyv1f, z tv.?

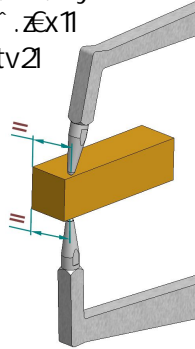


a)vr tv1 tyv1 | tyv1 E t1 .~ vEt1%1t, ~fr.zt, Et- vr t1 .v~ vEt1Š zy1 krxv1š, t|1
 vrt y1z- v1sw.v.1tr.tEx1 rEv Š- vr t1 .v~ vEt1v.zv19 1uz f)Eru(t- vEt1?

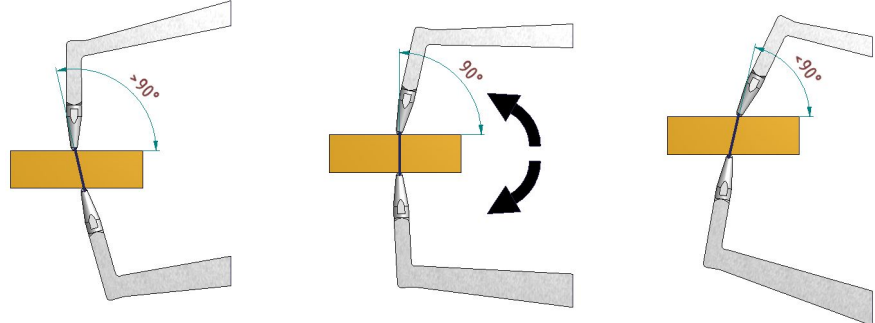
YrEu}EXu^ .EXt- vr f' .v- vEt1

1

Z- f, .r Et1
 eyv1- vr f' .EXt<z1
 ~ ^ fsv1E%o ttr}1
 f, tzt Et, tyv1
 ~ vr f' .EX11
 f' .wv21
 1

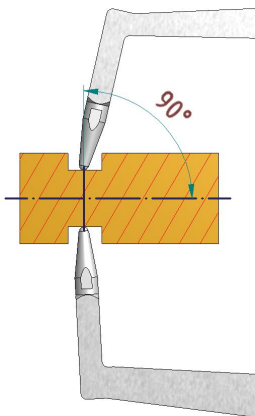


Uv1v... zEt z Et1 Wtyv1- zEz- ^ ~ t- vr f' .EXP%o} v P%o f2%otEX1
 tyv1kr xv19 f t- r }t- vr f' .v- vEt1?

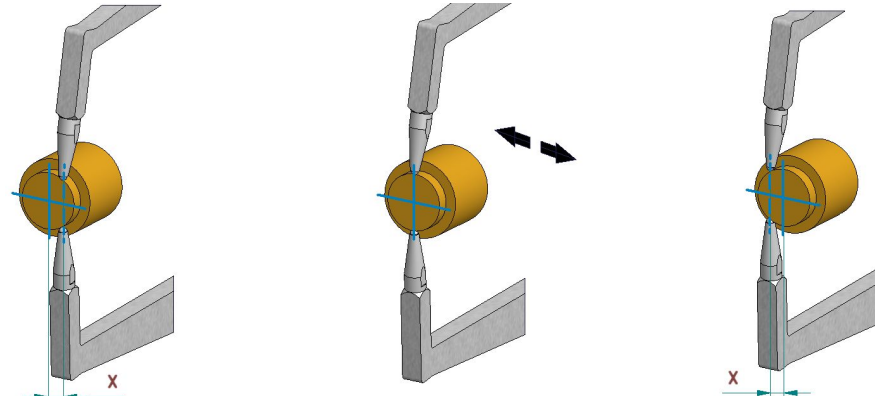


^ vr f' .xu P%o} v11 t, tyzy1 1 ^ vr f' .xu P%o} v11 t, ..xt11 1 mmmmm^ vr f' .xu P%o} v1 mmmmmt, tyzy1

Z- f, .r Et1
 eyv1- vr f' .EXt<z1
 ~ ^ fsv1E%o ttr}1
 f, tzt Et, tyv1
 ~ vr f' .EX1f' .wv21
 1



Uv1v... zEt z Et1 Wtyv1- r<z- ^ ~ t- vr f' .EXP%o} v1w.1- vr f' .v- vEt1
 , wEr ... Š k... , %o1 P%o1 r tv.r.}uzt f r tv~ vEt1 Wtyv1kr xv1Š yv.v.tyv1
 xr xv1tr Et, fsv1f2%otvu P%o ttr }Et1

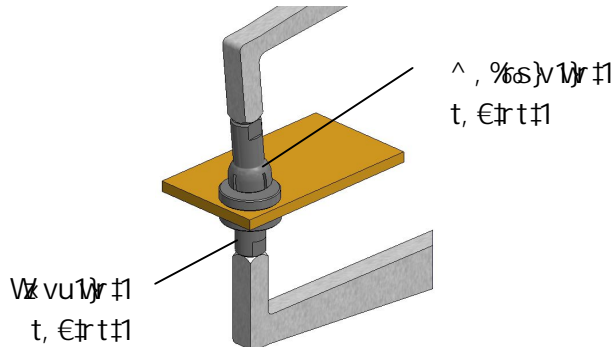


^ vr f' .xu P%o} v11 t, t- r }1 1 ^ vr f' .xu P%o} v11 t, ..xt11 1 mmmmm^ vr f' .xu P%o} v1 mmmmmt, t- r }11

W.1tyvt| zEx1, ^ Eu1fr .f t t r u %o r s }v t, t tv1- vr f' .EX1kr xv1Š zy1
 tyzv}t, Et t t }19 t vtyEt r }1Ur t r :21

Z- f, .r Et1
 eyv1v vu1}r t t, Et t t1
 ~ ^ fsv1t, ^ r.v1xr zEt1
 tyv1fr .f t, fsv1- vr f' .xu21
 11

^ vr f' .v- vEt1 Wtyv1- r tv.x }19?W r ~ vu1- r tv.x } : Š zy1 Wtyv1- vr f' .EX1
 t, Et t t }1
 eyv1- , %o s }v1}r t t, Et t t }1zEt1 f t- r }Et1, t f2%otEX1 .1- , %o EX1 Wtyv1
 xr xv1t Et, fEtv1t r .Et1
 1



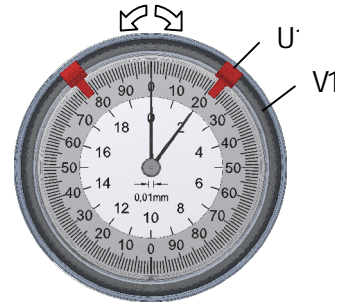
Vz vu1}r t t
 t, Et t t1

^ , %o s }v1}r t t
 t, Et t t1

1

Uztf)rCru{ t~ v€t1

eyvkrxv1ty, ^ ju sv% z w u sv w.v.vr ty1tv.zv t1 v~ vr t' .v~ v€t1bCt1
 ^ t€x1krxv1b}, t| ?
 Z1tyv.v.t11uv% z €1w.~ 1tyv1tfvtz w u~ vr t' .v~ v€t1tyv1uv%zv11
 ty, ^ ju sv1v.fu{ t1vu1bCt1 t€x1tyv1, .t t€x1tr}v19: ?
 eyv1- vr t' .v~ v€t1yr%6t, 1sv1v.fvr t1v t €t1tyv1krxv1t11
 t, ..vt1tCru{ t1vu?



1



Æ1 .uv.1t, 1€t.vr tv1tyv1tt^ .r.tCt1 v1tyv1- vr t' .v~ v€t1tyv1krxv1ty, ^ ju sv1
 ru{ t1vu1€tyv1tr~ v1f, t4z €1€1S yzy1r tv.1tyv1- vr t' .v~ v€t1S z}sv1
 vwt1vu?

e, ju.r.€tv1- r.1.t1

eyvkrxv1f., %zv1t1t, ju.r.€tv1- r.1.t19: 1tyr1tr€sv1tv1t1t, 1€1ttvf1rs}v1t1, ju.r.€tv1r.€xv1
 Šyzy1r}} Š1t1, ^ z1t- vr t' .v~ v€t1vr uz€x?

dfr.v1fr.1t1Rttvt1, .zv1

ar.111, 71

BAHA>BB1 T, % z€x1kr1t19:1
 BAHA>BC1 B1f1t?e, ju.r.€tv1- r.1.t19:1
 BAHA>AD1 T, % z€x1:1

1

~ ~ 1 krxvt1	Æty1 krxvt1	RB`1	SB`1	Y, ju€xT €z1	h, , uv€1s, <1
UBBA1	UGBA1	ACFB>AE1	ACFB>AE1	1	1
UBBAe1	UGBAe1	BFDD>FB1	AHAB>H1	I AAE>FA1	BHDC>EF1
UBBA1d1	UGBA1d1	1	1		
UBcBA1	UGcBA1	ACFB>AE1	1		
UBcBA1d1	UGcBA1d1	1	1		
1	1	1	1		
UCCA1	UHCA1	ACFB>AE1	ACFB>AE1		
UCCAe1	UHCAe1	BFDD>FA1	AHAB>F1		
UCCA1d1	UHCA1d1	1	1		
UCcCA1	UHcCA1	ACFB>AE1	1		
UCcCA1d1	UHcCA1d1	1	1		

::1

RB1 ^ vr t' .z€x1t, €t1t19, % z}v1- vr t' .z€x1. : :1
 SB1 ^ vr t' .z€x1t, €t1t19 w vu1- vr t' .z€x1. : :1
 1 ^ vr t' .z€x1t, €t1t11.v.1€, t1€tv.tyr€xvrs}v1

1

1

1

1

dfr.v1fr.#1@Rttvt1, .zv1

1

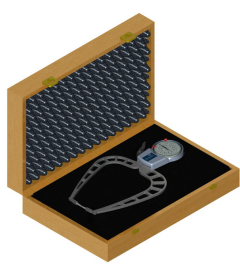
ar.#1 1, 31

BAHA>BB1 T, %6 zEx1k}rt119:1

BAHA>BC1 B1ft?e, }v.r.Étv1-r.}.t19:1

BAHA>DC1 T, %6.19:1

1

~ ~ 1 krxvt1	zÉty1 krxvt1	RB`1	SB`1	h , , uvÉs, <1
UEFA1	UJFA1	ACFB>CG1	ACFB>CG1	<p>1</p> <p>BHDC>FB1</p> 
UEFAe1	UJFAe1	BFAD>AE1	AHAB>HD1	
UEFAd1	UJFAd1	1	1	
UEFAS1	1	ACFB>CA1	ACFB>CA1	
UEFAV1	1	ACFB>CA1	ACFB>CA1	
UEBAA1	1	ACFB>CA1	ACFB>CA1	
UEBFA1	1	ACFB>CA1	ACFB>CA1	
UEcFA1	UJcFA1	ACFB>CG1	1	
UEcFAd1	UJcFAd1	1	1	
UI BAA1	1	ACFB>CA1	ACFB>CA1	
UI cBAA1	1	ACFB>CA1	ACFB>CA1	
UI BAAe1	1	BFAD>AE1	AHAB>HD1	

::1

RB1 ^ vrt`.zEx1t, Értt19 , %s}v1- vrt`.zEx1.::1

SB1 ^ vrt`.zEx1t, Értt19vu1- vrt`.zEx1.::1

1 ^ vrt`.zEx1t, Értt1r.v1E, tÉtv.tyrÉxvrs}v1

1

1

1

h r...r.€t€

W..tyz1uv%zvšvkz%r Šr...r.€t€tt, .ur€tvŠ zy1tyv1w}}, Š z€x1t, €uztz €tKl

1

B?h v1Š ž}1 .v.frz.1.w.v1, vtyr.xv1r€€ur ~ rxv1, ..1.uvwt#1, €1 tyv1uv%zv1Š yzy1r.v.1
uv~, €t.r.s)€sr tvu1, €1r1~ r€ wt# .z€x1v...z1vtyv€r.v.1.v.f, .tvu1t, 1^ t1z ~ vuz tv)€
Šyv€1tyv€r.v.1uv1v. z€vu1r€uŠ zy€1€1-, €ty1, vtyv1ur tv1, vtyv1ur tv1, .tyr tv~€1tt, .ur€tv1
Š zy1tyv1t, €uztz €t1sv}, Š 12, t?C-F: ?eyvŠr...r.€t€u, vt1€, t1t, %6.1- z€, .1uv%zv z€1w.~ 1
tyv1€, .r}t, €uztz €Š yzy1r.v.z.v.v%€t#, tyv1%ž v1€u1fv.w.~ r€tv1 vtyv1uv%zv?

1

C?eyvŠr...r.€t€t €uv.r|v€1€1^ ty1Šr€tyr1uvwt#%1fr.#Š ž}sv1v.frz.wu1 .1.v.f)rtvu1
Š zy1w }tvt1fr.#1w.v1, vtyr.xv?eyv1€tr zwt#, .€uv%zv1ty, ^ }u1sv1.v.f.€vu1t, 1^ t1
t, xvtyv.1Š zy1tyv1z€%zv1z€t} u€x1tyv1ur tv1, vtyv1ur tv1, .1uv%zv €h v1Š ž}1r t1^ ~ v1
f, tvt1z €1 vtyv1.v.f)rtvu1fr.#1?

1

D?eyv1.zy1t, 1t)r z- 1^ €uv.1x^ r.r.€t€v1z1%zu1v.v.frz.1, .1, f.v.r.z €1r.v.1tr..z.u1, ^ 1s€
f.v.t, €1t€, 1r^ ty, .zvu1s€€, ^ .tv)%€t1, .1z1, ^ .1uv%zv1z1v1z1v1Š zy1ruuztz €r}fr.#1, .1.
rttv1t, .z1tyr tr.v.€, €tr€ur.u1w.1. ^ .1uv%zv?1

1

E?h vŠ ž}y, €, ^ .1tyvŠr...r.€t€š zy, ^ 1€%z z€x1w.1v€1r.tyr.xv1r.w.zy1 .1frt|z€x1t, t1t:?

1

F?R1fv.w.~ r€tv1 €uv.1tyvŠr...r.€t€u, vt1€, 1w.wt#1€1v€tz €1 vtyvŠr...r.€t€fv.z u1 .1
z€z tv1tyv1t, ~ ~ v€tv~ v€t1, v1r€, tyv.1Šr...r.€t€fv.z u?eyv1Šr...r.€t€fv.z u1w.1r€€
.v.f)rtv~ v€t1fr.#1z€t#}vu1v€u1r1tyv1tr~ v1z- v1r1tyv1Šr...r.€t€fv.z u1w.1tyv1šy, }v1
uv%zv?

1

G?1^ , .v.1v€t€t%6, .1w.tyv.1t)r z- t1z€1fr.tz^ }r.1w.1tyv1.v.f)rtv~ v€t1, v1ur ~ rxv1.v.t^ }z€x1
, ^ t1zv1 vtyv1uv%zv~f.v.1v€t} uvu1t1t}, €x1t1z sz1€t€, 1}v1r}€v., ^ z.vu?1

1

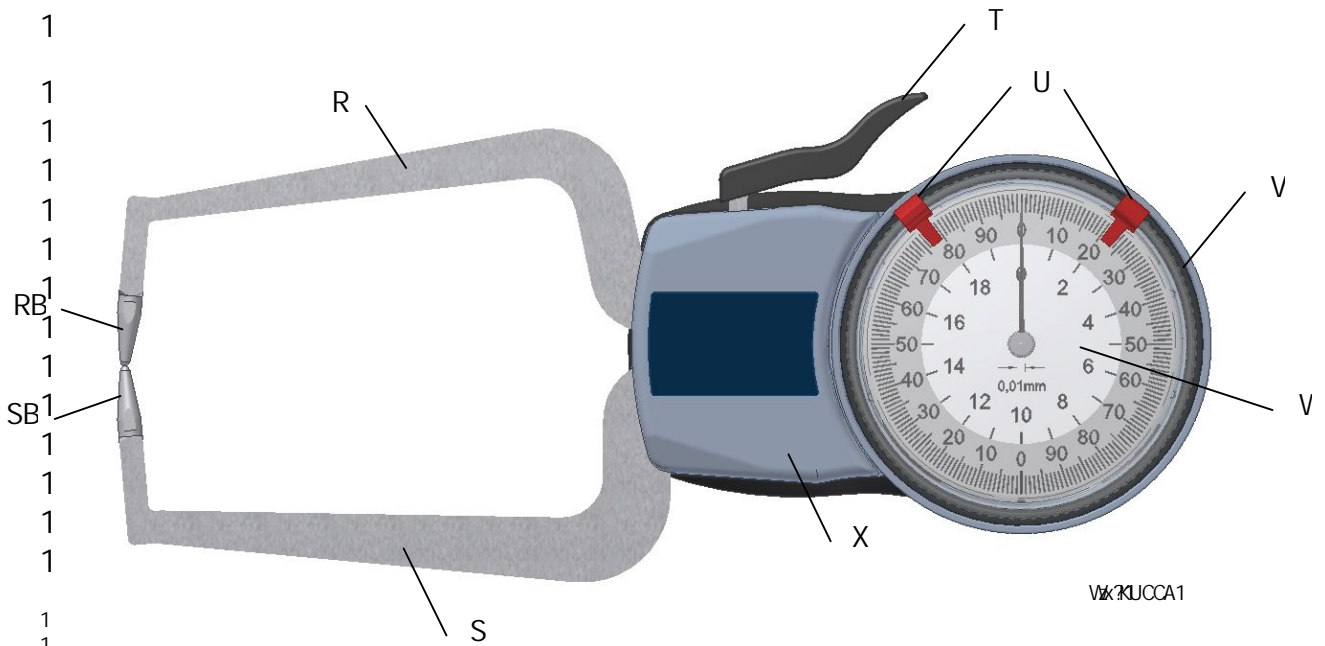
H?d s{vt#t, 1vty€zr}t}tv.r.z €t?

1

\,..v.f)z€K~sY1
Xr.1v€t.r.ùvFA1
DGD Bdtty} tytv.€1
ekEJ 1A:GGGB1 GA1

1


g^vlu v€tv~ s}v1




- 1
- 1
- 1
- 1
- 1
- 1
- 1
- 1
- 1
- 1
- 1
- 1
- 1
- 1
- 1
- 1
- 1
- 1
- 1
- 1
- 1
- R1 S.r.tlv1- v^ .v1- , sz}v1
- RB1 e, ^ tyv1v1- v^ .v1
- S1 S.r.tlv1- v^ .v1
- SB1 e, ^ tyv1v1- v^ .v1
- T1]v%..lv1t, ~ ~ r€v1u^ s.r.t1
- U1 ^ r., ^ v1v1t, } .r.€tv1
- V1 Tru.v1, .# zV%€t1€€v^ k.ru^ 1
- W Tru.r.€1
- X1 T, ^ %€t1}v1 11, .f.t1

^ r€z^ }rtz €lv1}rffr.vz}1, .t1lv1}rt- v^ .v1

1
Rff €' u1w€v1v%..lv1t, ~ ~ r€v1u^ s.r.t1: v1f}rtv' 1vfr}v^ .1€f, tz€ €lv1 ~ v^ .v1

1
 ^ €rxv' 1v1t, ^ tyv1v1- v^ .v1 RB<SB: v1v1s.r.tlv1- v^ .v1- , sz}v1: 1€1 f} r€t1tzf, t1z}1}rffr.vz}1€f, tz€ €lv1- v^ .v1tr€11v1- v1v1v1t, €rtt1 r%€t1}fz tv1v1- v^ .v1?

1
av€r€1}rt- v^ .v1€v.v.tv' }rtlv1f.v.ttz €1^ .}rffr.vz}1v1v.jutyv' 1v1v%..lv1 t, ~ ~ r€v1u^ s.r.t1: ?1
]rt- v^ .v1t1vwt1 v1€f%€t1^ 1€u f} r€1}rffr.vz}1v1vzr€t1 stv.%€ 1r1 u %€tz €tr<z-r}1^ 1-z-r}v1v1rz^ z}v1

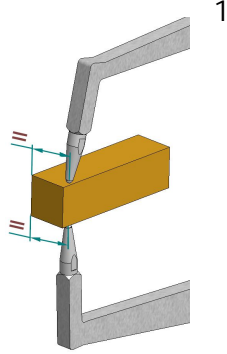
1
 R%€t1tyr, ^ v1t .z1v1- v^ .v1t1, €t..}v' 1}rffr.vz}1}rzv1u^ €v1r^ xv1 t, ..v1f, €r€tv19 Rwt1rxv1 11, ..vtz €: ?1

1

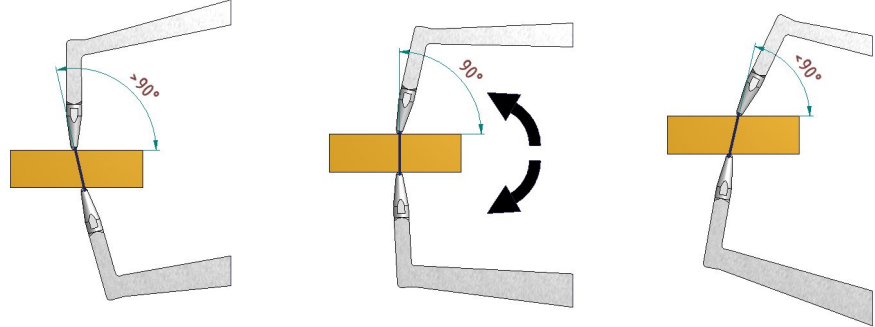
^ r € z f } r t z € l u v } r f f r . v z } } , . . t l u v } r t v t . v 1

1

T, € u z t z € k 1
] r < v l u v t v t . v 1 u , z 1 t . v 1
% 6 t z r } } r . l r f f , . t l u } r 1
t . w t v t v t . . v 1

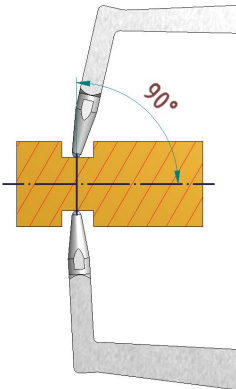


d r z t z l u v } r 1 p % 0 v ^ . t z € z r } v } r . } f 2 % 0 t v ~ v € t p % 6 t z r } l u v 1
} r f f r . v z } } v t . v 1 f t z r } v : ? 1

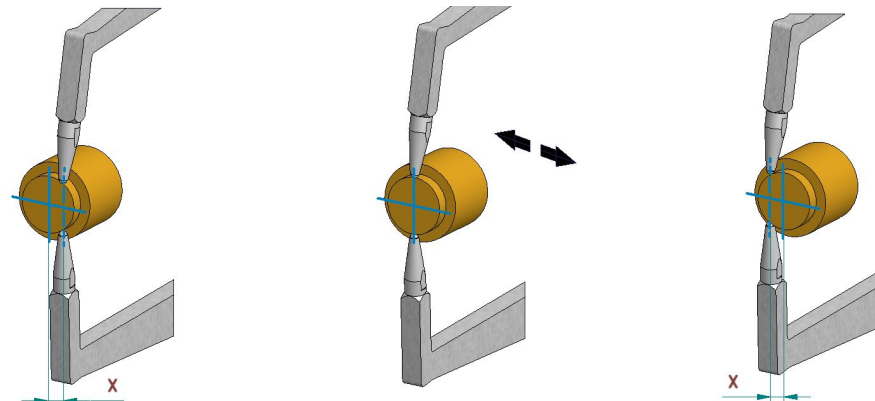


g r } v . 1 1 1 1 g r } v . 1 1 1 g r } v . 1
t , . f 1 } v % a 1 1 1 t , . v t v 1 1 t , . f 1 } v % a 1

T, € u z t z € k 1
] r < v l u v t v t . v 1 u , z 1 t . v 1
% 6 t z r } } r . l r f f , . t l u } r 1
t . w t v l u v t v t . v 1



d r z t z l u v } r 1 p % 0 v ^ . t r < z r } v } r , ^ . l u v } f z t v t 1 , € u v t l u v t 1 r z € . v t 1 t , z v t 1 ^ 1
u v t 1 t , ^ . t v 1 v < t . . z t t l u r . s . v t v € u f } r r € t } r f f r . v z } } t . r } v ~ v € t t z t € 1
f 2 % 0 t v ~ v € t p % 6 t z r } € v t } } r t } f , t t z } v ? 1

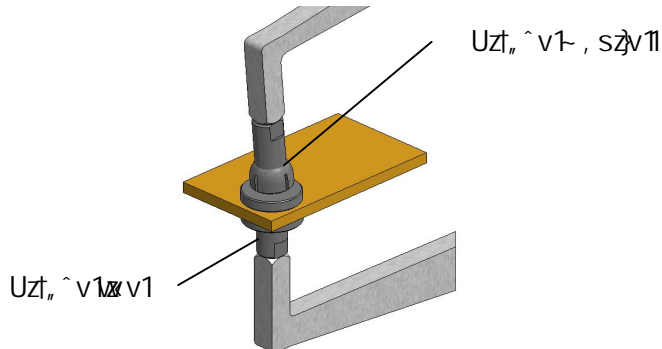


g r } v . 1 1 1 1 g r } v . 1 1 1 1 1 1 1 1 1 1 g r } v . 1
t , . f 1 v z t v 1 1 1 1 t , . v t v 1 1 1 1 t , . f 1 v z t v 1

a , ^ . } r t v t . v l u v } f z t v t 1 , € u v t l u v t 1 f f r . v z } } t % 0 t t , ^ t y v t l u v t v t . v 1
t , ^ t v r ^ t t , € t t z v ^ < t f f . . f . z t } } u , € € v t t v t y € z , ^ v t : ? 1

T, € u z t z € k 1
] v l u z t , ^ v l z v l u , z 1 t . v 1
f } r € } r . l r f f , . t l u } , s { v t 1
u t v t . v . 2 1

^ v t . v l u v t r t . z ^ < } r } t } } r < ? t , ^ t t v t } % 0 } r z v : t % 0 t l u v t t , ^ t y v t 1
u z t , ^ v t } , ~ ~ v } r t , ^ t y v l u z t , ^ v t r } z € v t . . } v s . r t t , s z v ~ z } € v t } } r t 1
€ t v t t r z v l u v } f 2 % 0 t v . € z l u v u f } r t v . } r f f r . v z } } ? 1
1



1

