



SHORT MANUAL



EM12

Disposal

Dispose of the product at the end of its service life according to the applicable statutory provisions. The complete packaging of the device incl. the inner packaging can be disposed of unseparated as waste paper.

Disposal of used batteries/rechargeable batteries

As an end user, you may be legally required to return all used batteries and rechargeable batteries; their disposal in household waste is prohibited. Batteries/rechargeable batteries containing harmful substances are marked with the adjacent symbols indicating that their disposal through household waste is prohibited. You can return your used batteries/rechargeable batteries for free to the collection points in your communities, our branches, or wherever batteries/rechargeable batteries are sold! In doing so, you will fulfil any legal requirements and do your part for environmental protection.



Note:

Kroepelin will not assume any liability towards any party for loss or damage, directly or indirectly, that is caused by using this device contrary to the instructions in this manual. All information about our products, particularly the illustrations, drawings, dimensions, and performance data and other technical information included in this publication, are approximate average values. We therefore reserve the right to modify the design, technical data, dimensions, and weight. Our indicated standards, similar technical regulations, and technical information, descriptions and illustrations of the products are current as of the date of printing. The illustrations do not match the standard product in some instances. In addition, our general terms and conditions apply in their current version.

© Copyright Kroepelin GmbH. All rights reserved.
0699-99 (as of April 2024)

Kroepelin GmbH
Gartenstraße 50
36381 Schlüchtern
Germany
T +49 (0)6661-86-0
F +49 (0)6661-86-39
sales@kroepelin.com
www.kroepelin.com

Kroepelin
Längenmesstechnik

Safety Instructions and Declaration of Conformity



Insert only recommended battery types (see included documentation)! Using other battery types may result in health and personal injury. The supplied battery is **not** rechargeable! Insert the battery with the correct polarity and use it in accordance with this user manual.



Dispose of the battery and device in accordance with legal regulations. Do **not** throw the battery into the fire!

Do **not** use electronic signature devices!



Provide this device to third parties only with this user manual.



This measuring device complies with the Low Voltage Directive 2014/35/EU of 26.02.2014 and the Electromagnetic Compatibility Directive 2014/30/EU of 26.02.2014.



This measuring device is RoHS compliant according to Directive 2011/65/EU of 08.11.2011.



This measuring device is PFOS compliant according to Directive 2006/122/EG of 12.12.2006.



This measuring device is REACH compliant according to Regulation (EC) No. 1907/2006 of 18.12.2006.

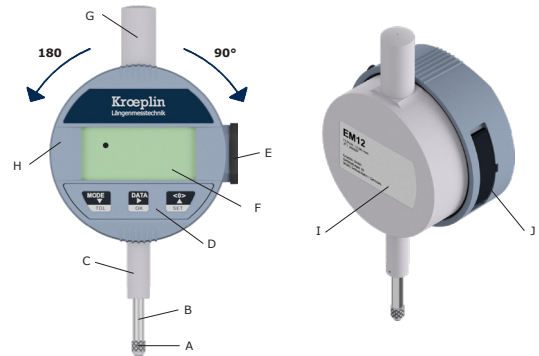


This measuring device is WEEE compliant according to Directive 2012/19/EU of 04.07.2012.

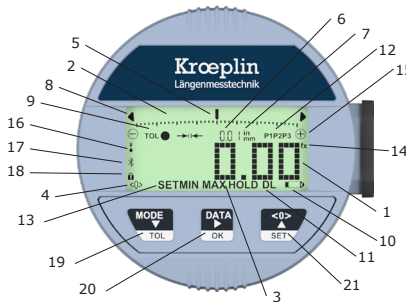
Technical Data

Measuring Range	[mm]	12,7	[inch]	.5
Numerical Interval	[mm]	0,001 / 0,002 / 0,005 / 0,01 / 0,02 / 0,05 / 0,1 / 0,2 / 0,5	[inch]	.00005 / .0001 / .0002 / .0005 / .001 / .002 / .005 / .01 / .02
	Max. permissible Errors MPE _E	[mm]	±0,005	[inch]
Repeatability Limit MPE _R	[mm]	0,002	[inch]	.0001
Measurement Reversal Range MPE _H	[mm]	0,003	[inch]	.0001
Measuring Force	[N]	0,6 to 1,4		
Shaft Diameter	[mm]	ø8		
Reference Temperature	[°C]	+20		
Working Temperature	[°C]	+10 to +30		
Storage Temperature	[°C]	-10 to +50		
Weight	[g]	150		
Measuring Insert	M2,5 x 0,45 (Hardened metal insert)			
Power Supply	1x 3 Volts CR2450 (Recommendation: VARTA 6450 Lithium)			
Data Output	USB / Digimatic / U-Wave® / Bluetooth			

Overview



- A Measuring Insert M2,5 x 0,45
- B Probe Rod
- C Clamping Shaft
- D Keyboard
- E Interface Input
- F LCD Scale
- G Cover
- H Display Unit
- I Nameplate
- J Battery Compartment



- 1 Digits
- 2 Graduation Scale
- 3 Measuring Programs
- 4 Relative Mode
- 5 Pointer
- 6 Scale
- 7 Unit
- 8 Tolerance Arrows
- 9 Tolerance Indicator
- 10 Battery Indicator
- 11 Data-Logger
- 12 Preset Value Mode
- 13 Setup
- 14 Calculation function
- 15 +/- Display
- 16 Counting Direction Reversal
- 17 Bluetooth
- 18 Keylock
- 19 MODE/TOL-Button
- 20 DATA/OK-Button
- 21 <0>/SET-Button

Errors

ERR 06	Tolerance limit outside the permissible range.
ERR 08	Reference point in "Relative Mode" outside the display range.
ERR 09 NoDATA	No communication with the PC or peripheral devices.
ERR 10	Communication interruption during data transmission.
ERR 11	Bluetooth pairing lost. Please perform pairing again.
ERR 12	Bluetooth connection could not be established after 30 seconds. Please try again!
LIMIT	End of the measuring range.

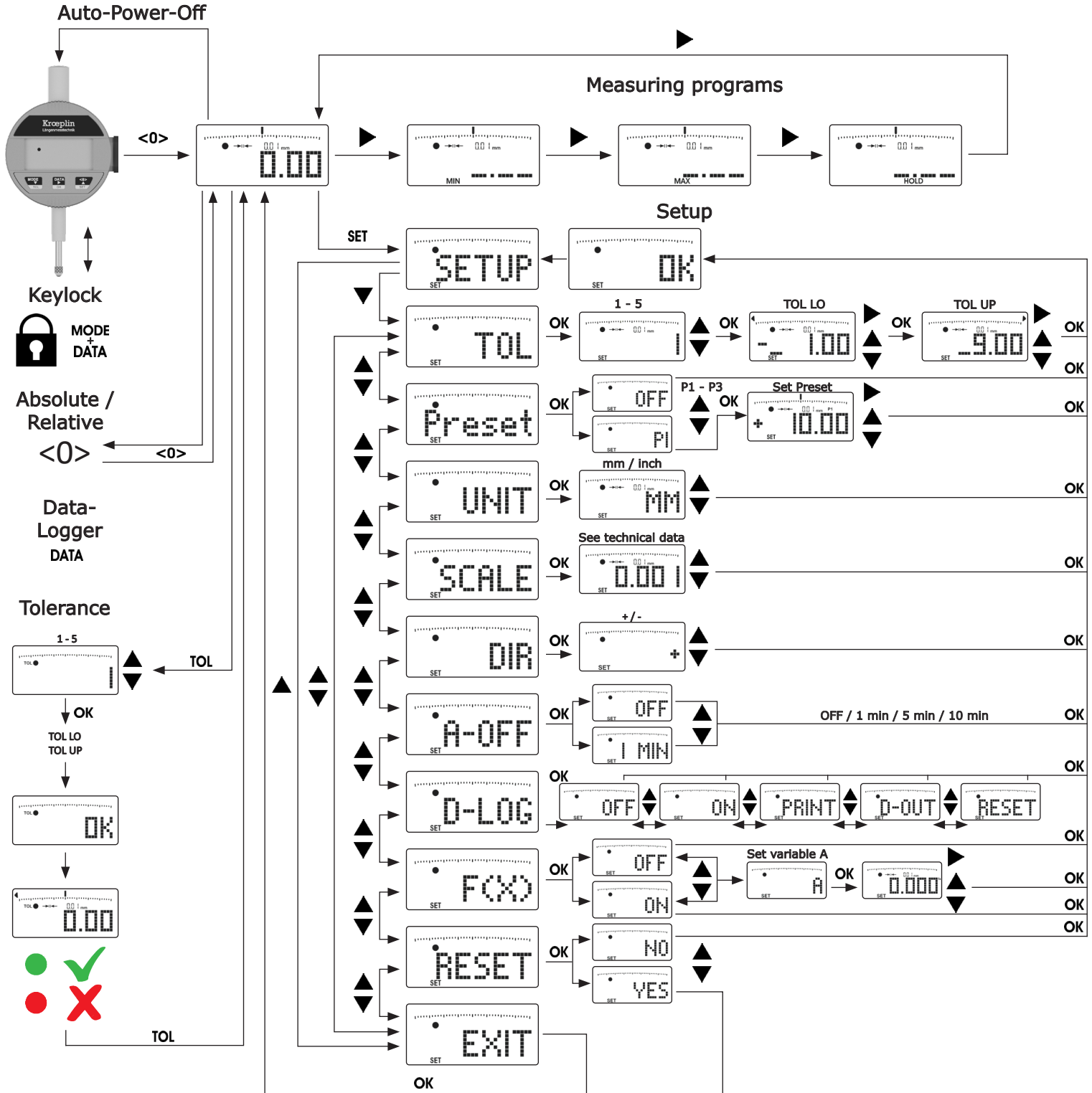
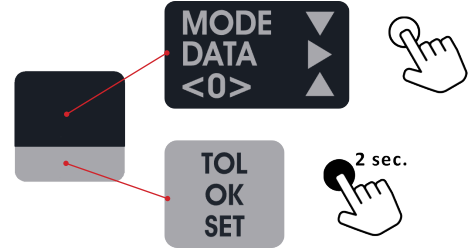
Battery Replacement



Replace the battery (CR2045) as soon as the battery indicator (10) starts blinking. Open the battery compartment (J) by pulling it out, gripping the sides. Insert the battery with the correct polarity.

Slide the battery compartment (J) back into the device until it clicks into place.

Operation



Download the full manual

<https://www.kroepelin.com/wp-content/uploads/bedienungsanleitungen/0689-98.pdf>

