

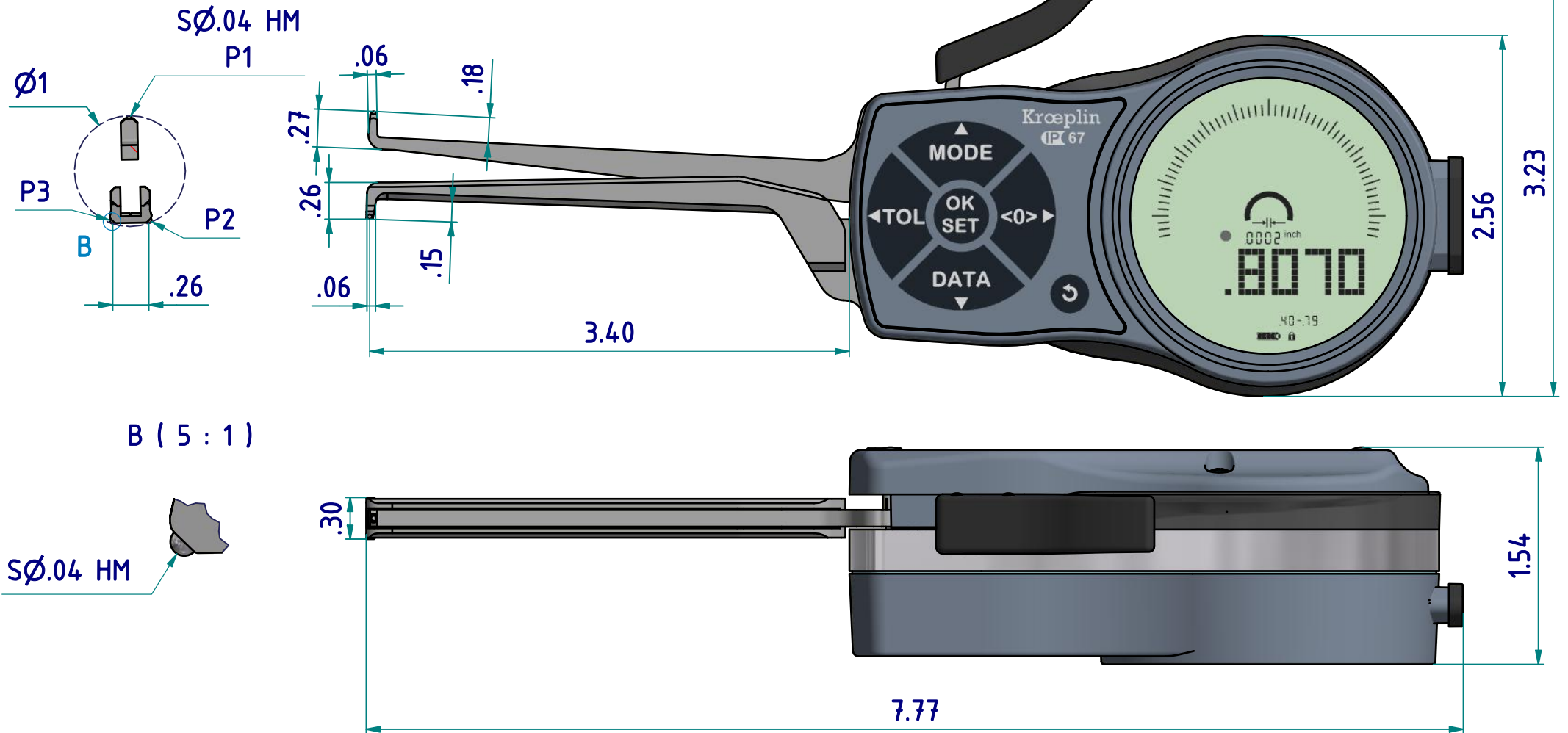
# data sheet: L210P3

Kroepflin GmbH  
Gartenstraße 50  
D-36381 Schlüchtern

Tel.: 06661 86 0  
Fax: 06661 86 39  
Mail: sales@kroepflin.com  
Web: www.kroepflin.com

**Kroepflin**  
Längenmesstechnik

3-point  
measurement



subject to technical alterations

type: L - P3  
range: .40 - .79 INCH  
range of indication: .3858 - .8070 INCH  
digital step: .0002 INCH  
scale interval: -  
measuring force: 1,1 - 1,6 N  
weight: 270 g

acceptable deviations  
VDI/VDE/DGQ 2618 Bl. 12.1/13.1)  
max. permissible  
errors "G": .0008 INCH  
repeatability "r": .0004 INCH  
reference temperature: 20° C  
operation temperature: 10° C - 30° C  
storage temperature: -10° C - 50° C

scale: 1:1  
drawing-nr.: DAB-L210P3-K-i  
date of issue: 07.05.2020  
name: B. Schmidt  
revision status: 001  
revision date: 23.09.2020

measuring capacity

measuring range Meb [INCH]

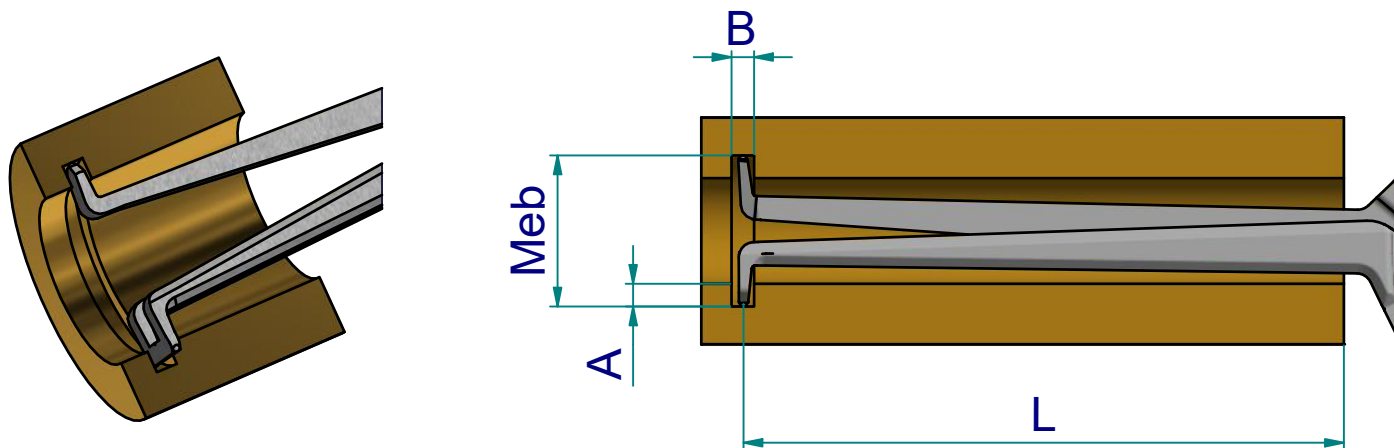
groove depth A [INCH]	.394	.433	.472	.512	.551	.591	.630	.709	.787
	0	0 / 2.87	0 / 2.87	0 / 2.91	0 / 2.91	0 / 2.91	0 / 2.91	0 / 2.91	0 / 2.95
.039			.07 / 2.83	.07 / 2.83	.07 / 2.87	.07 / 2.87	.07 / 2.87	.07 / 2.91	.07 / 2.91
.079					.07 / 2.80	.07 / 2.83	.07 / 2.83	.07 / 2.87	.06 / 2.91
.118							.08 / 2.52	.07 / 2.80	.07 / 2.87
.138								.10 / 2.64	.11 / 2.80
	B / L								

B = minimum groove width [INCH]

L = maximum usable arm length [INCH]

Example: Meb = .472 B = .07

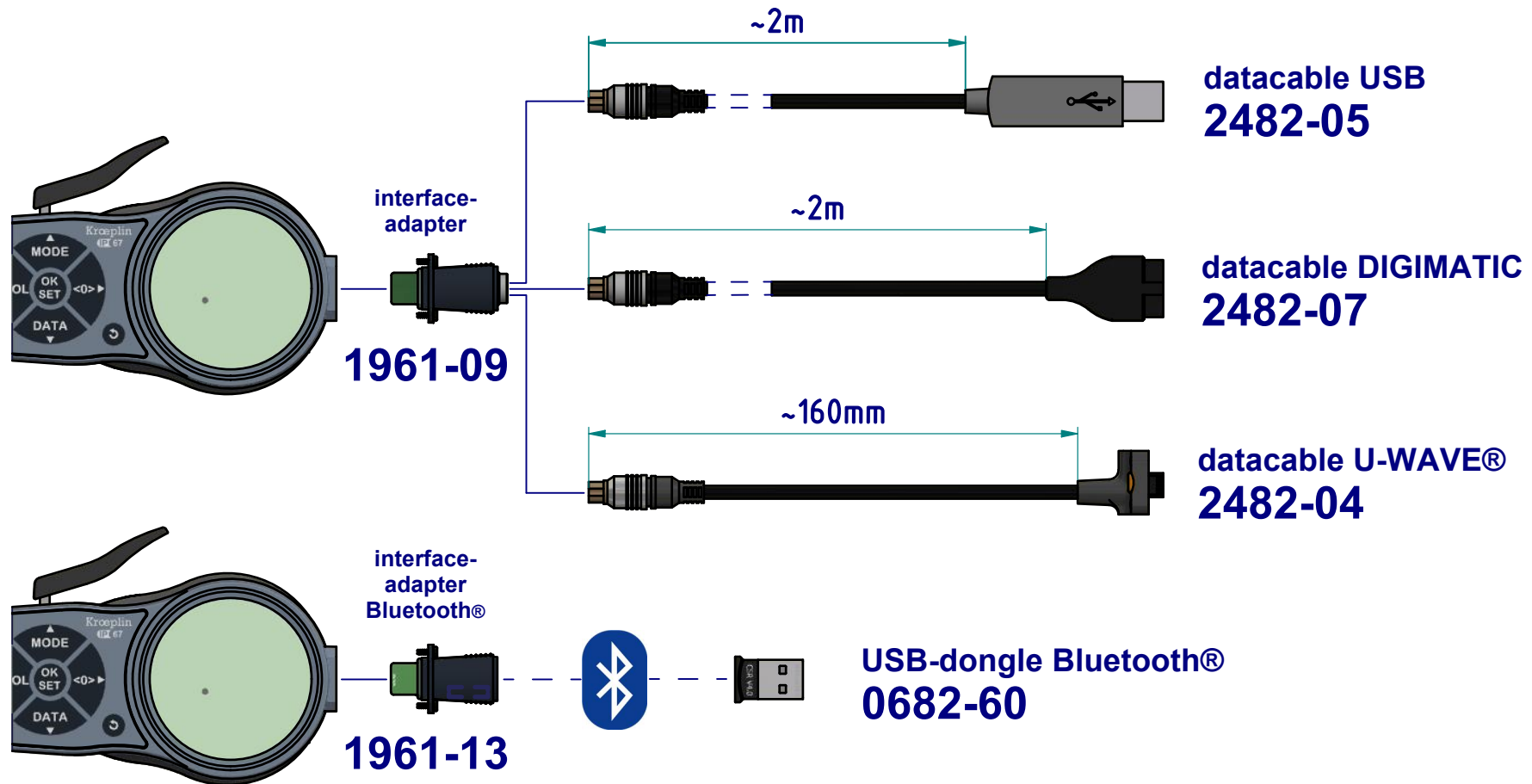
A = .039 L = 2.83



subject to technical alterations

drawing-nr.:	DAB-L210P3-K-i
date of issue:	07.05.2020
name:	B. Schmidt
revision status:	001
revision date:	23.09.2020

interface as accessories available:



subject to technical alterations

drawing-nr.:	DAB-L210P3-K-i
date of issue:	07.05.2020
name:	B. Schmidt
revision status:	001
revision date:	23.09.2020