

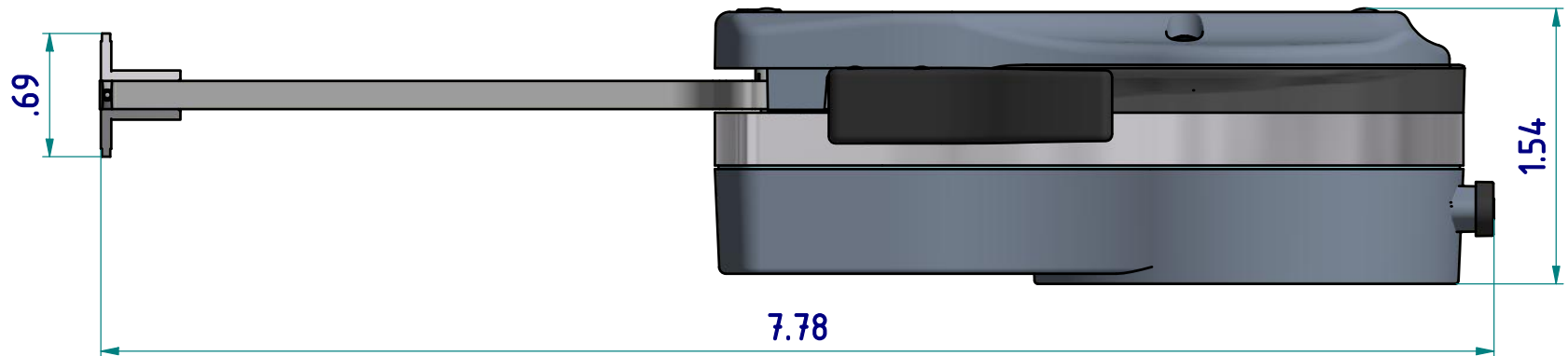
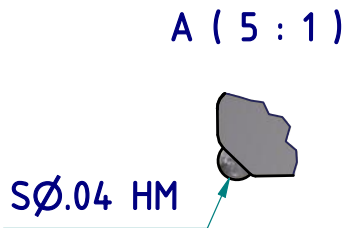
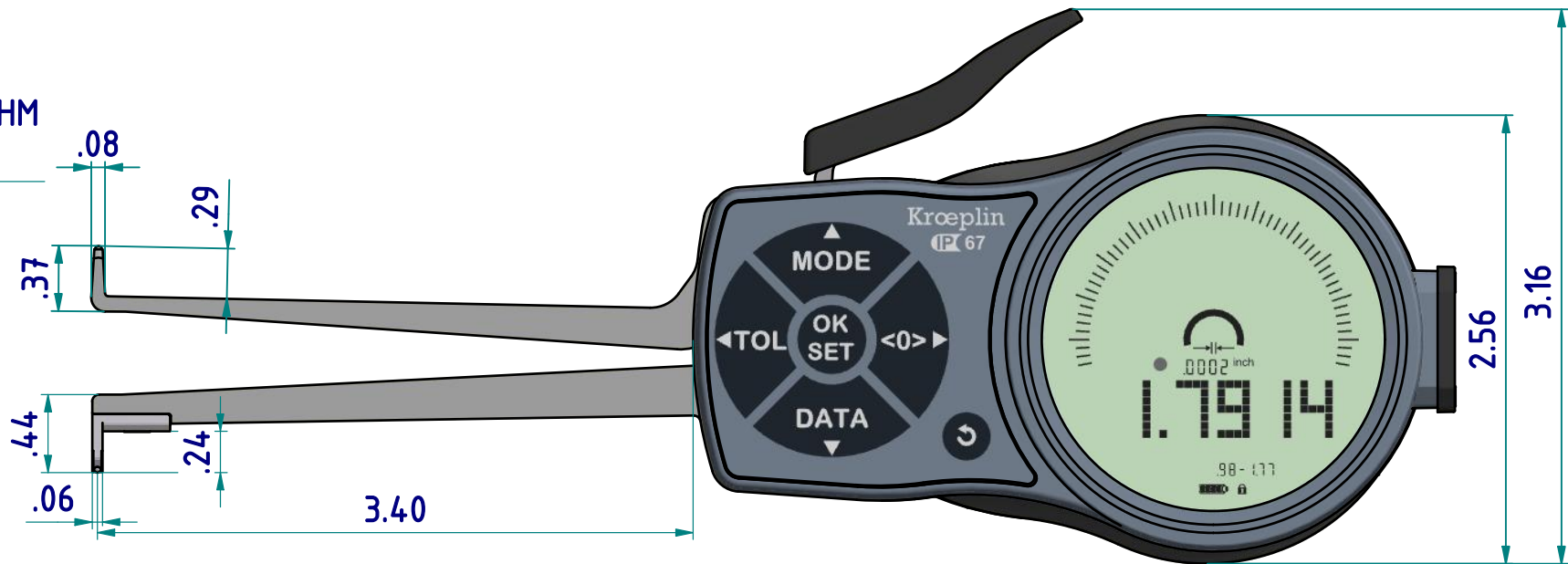
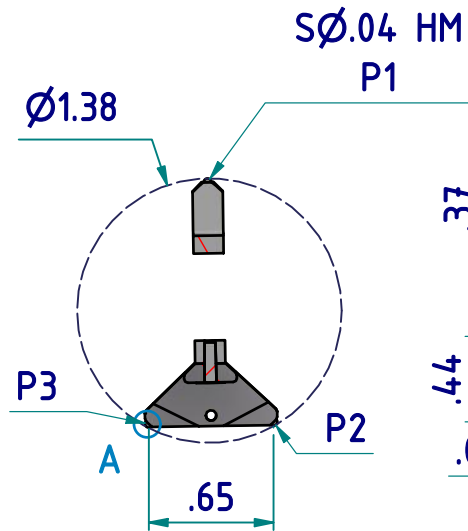
# data sheet: L225P3

Kroepelin GmbH  
Gartenstraße 50  
D-36381 Schlüchtern

Tel.: 06661 86 0  
Fax: 06661 86 39  
Mail: sales@kroepelin.com  
Web: www.kroepelin.com

**Kroepelin**  
Längenmesstechnik

3-point  
measurement



subject to technical alterations

type: L - P3  
range: .98 - 1.77 INCH  
range of indication: .9646 - 1.7914 INCH  
digital step: .0002 INCH  
scale interval: -  
measuring force: 1,1 - 1,6 N  
weight: 275 g

acceptable deviations  
VDI/VDE/DGQ 2618 Bl. 12.1/13.1)  
max. permissible  
errors "G": .0008 INCH  
repeatability "r": .0004 INCH  
reference temperature: 20° C  
operation temperature: 10° C - 30° C  
storage temperature: -10° C - 50° C

scale: 1:1  
drawing-nr.: DAB-L225P3-K-i  
date of issue: 07.05.2020  
name: B. Schmidt  
revision status: 001  
revision date: 23.09.2020

measuring capacity

measuring range  $M_{eb}$  [INCH]

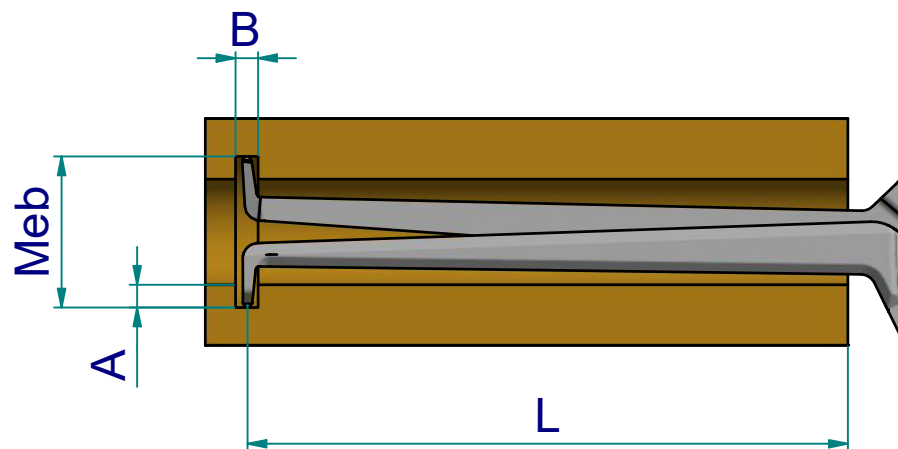
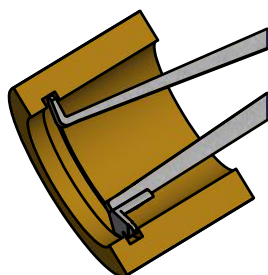
groove depth A [INCH]	measuring range $M_{eb}$ [INCH]									
	.984	1.024	1.102	1.181	1.260	1.339	1.417	1.575	1.772	
0	0 / 3.07	0 / 3.15	0 / 3.23	0 / 3.27	0 / 3.31	0 / 3.31	0 / 3.31	0 / 3.35	0 / 3.35	
.039			.06 / 3.23	.06 / 3.27	.06 / 3.31	.06 / 3.35	.06 / 3.35	.06 / 3.35	.06 / 3.35	
.079				.06 / 3.27	.06 / 3.27	.06 / 3.27	.06 / 3.27	.06 / 3.27	.07 / 3.27	
.118					.07 / 3.27	.07 / 3.27	.07 / 3.27	.07 / 3.27	.07 / 3.27	
.157						.08 / 3.27	.08 / 3.27	.08 / 3.27	.08 / 3.27	
.197							.08 / 3.27	.08 / 3.27	.09 / 3.27	
.236								.09 / 3.27	.09 / 3.27	
.256								.09 / 3.27	.10 / 3.27	
	B / L									

B = minimum groove width [INCH]

L = maximum usable arm length [INCH]

Example:  $M_{eb} = 1.102$  B = .06

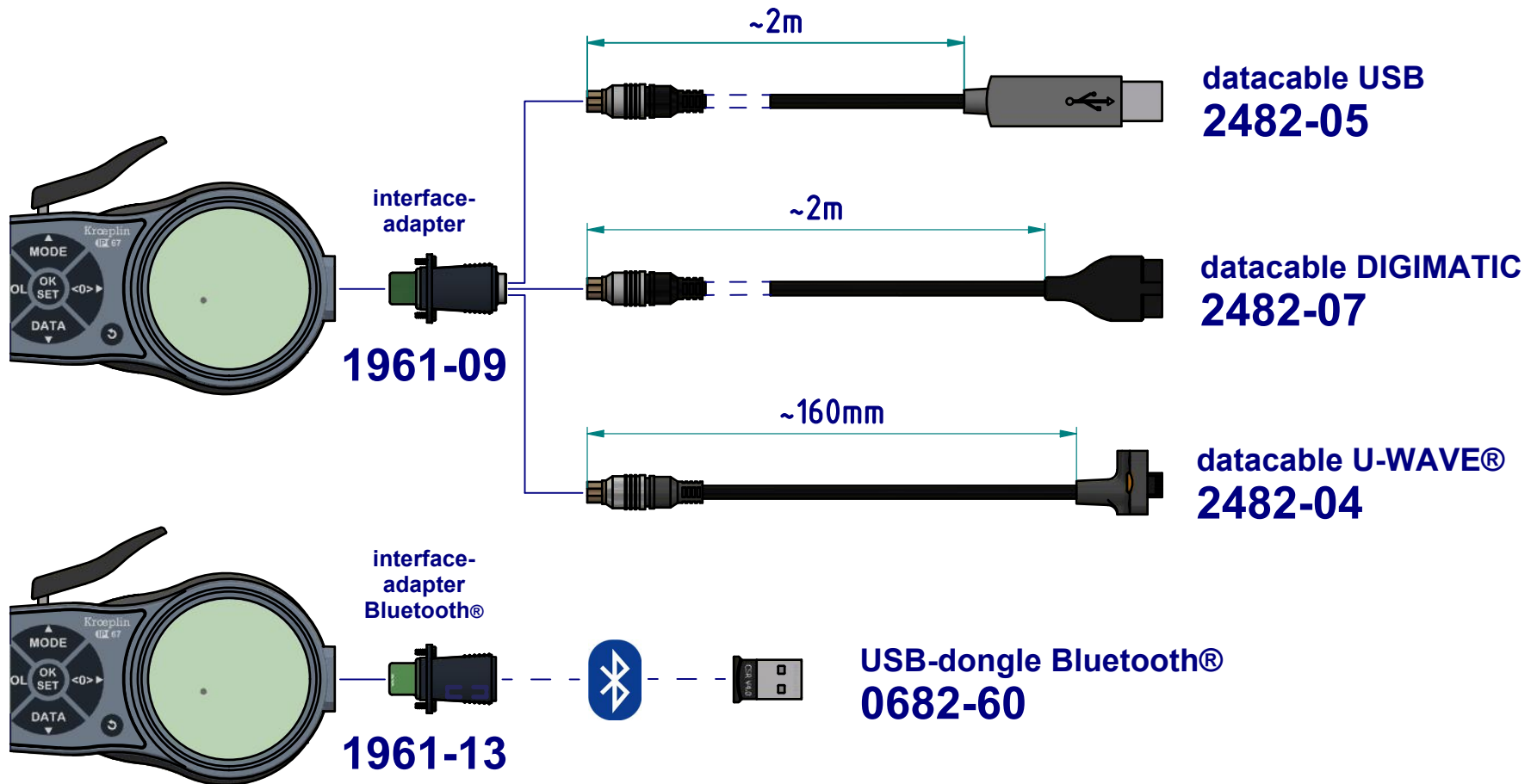
A = .039 L = 3.23



subject to technical alterations

drawing-nr.:	DAB-L225P3-K-i
date of issue:	07.05.2020
name:	B. Schmidt
revision status:	001
revision date:	23.09.2020

interface as accessories available:



subject to technical alterations

drawing-nr.:	DAB-L225P3-K-i
date of issue:	07.05.2020
name:	B. Schmidt
revision status:	001
revision date:	23.09.2020