

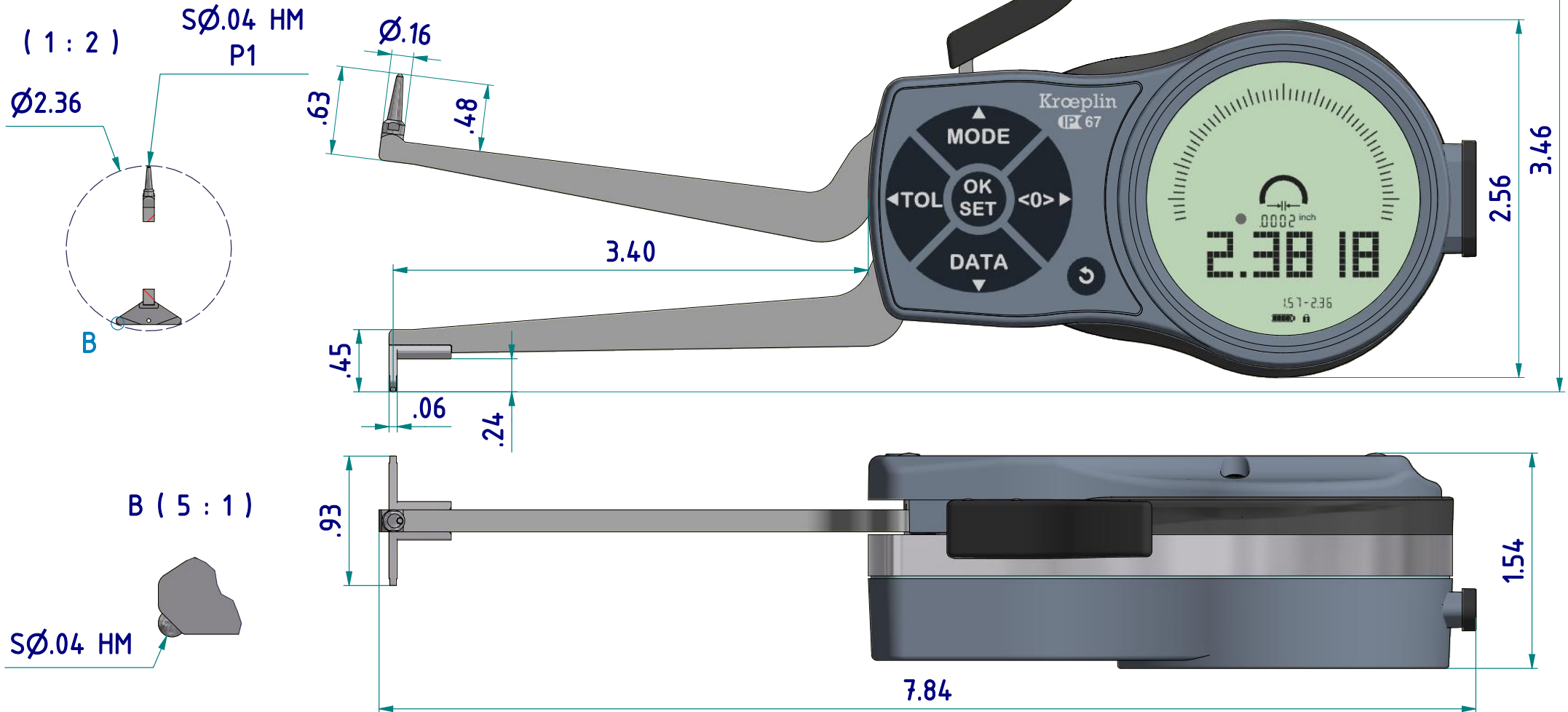
# data sheet: L240P3

Kroepelin GmbH  
Gartenstraße 50  
D-36381 Schlüchtern

Tel.: 06661 86 0  
Fax: 06661 86 39  
Mail: sales@kroepelin.com  
Web: www.kroepelin.com

**Kroepelin**  
Längenmesstechnik

3-point  
measurement



subject to technical alterations

type: L - P3  
range: 1.57 - 2.36 INCH  
range of indication: 1.5552 - 2.3818 INCH  
digital step: .0002 INCH  
scale interval: -  
measuring force: 1,1 - 1,6 N  
weight: 290 g

acceptable deviations  
VDI/VDE/DGQ 2618 Bl. 12.1/13.1)  
max. permissible  
errors "G": .0008 INCH  
repeatability "r": .0004 INCH  
reference temperature: 20° C  
operation temperature: 10° C - 30° C  
storage temperature: -10° C - 50° C

scale: 1:1  
drawing-nr.: DAB-L240P3-K-i  
date of issue: 07.05.2020  
name: B. Schmidt  
revision status: 002  
revision date: 24.08.2021

## measuring capacity

measuring range  $M_{eb}$  [INCH]

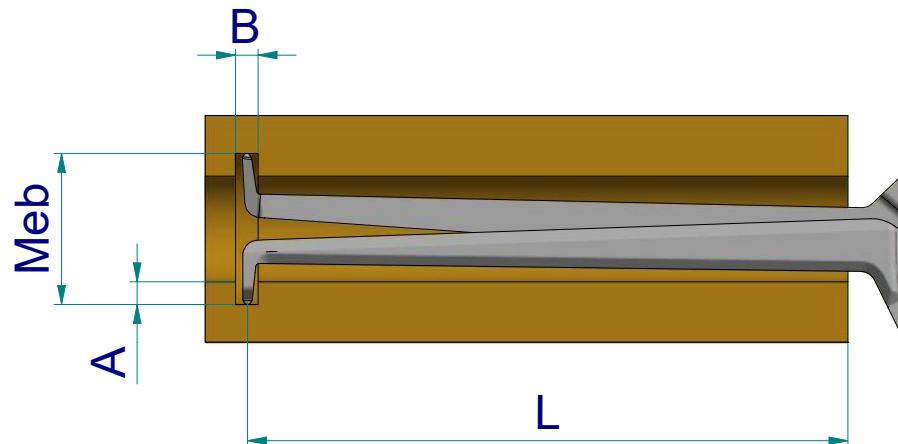
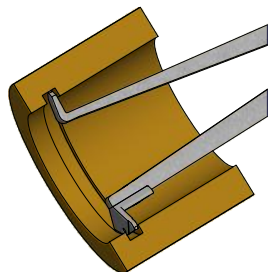
	1.575	1.654	1.732	1.811	1.890	1.969	2.047	2.126	2.205	2.283	2.362
0	0 / 3.15	0 / 3.19	0 / 3.19	0 / 3.19	0 / 3.23	0 / 3.23	0 / 3.27	0 / 3.27	0 / 3.31	0 / 3.31	0 / 3.31
.039		.06 / 3.11	.06 / 3.15	.06 / 3.15	.06 / 3.19	.06 / 3.23	.06 / 3.27	.06 / 3.27	.06 / 3.27	.06 / 3.27	.06 / 3.27
.079			.07 / 3.15	.07 / 3.15	.07 / 3.19	.07 / 3.19	.07 / 3.23	.07 / 3.23	.07 / 3.23	.07 / 3.23	.07 / 3.23
.118				.07 / 3.15	.07 / 3.15	.08 / 3.15	.08 / 3.19	.08 / 3.19	.08 / 3.23	.08 / 3.23	.08 / 3.23
.157					.08 / 3.15	.08 / 3.15	.08 / 3.19	.08 / 3.19	.08 / 3.19	.09 / 3.23	.09 / 3.23
.197						.09 / 3.19	.09 / 3.19	.09 / 3.19	.09 / 3.19	.09 / 3.23	.09 / 3.23
.236							.09 / 3.23	.09 / 3.23	.09 / 3.23	.10 / 3.23	.10 / 3.23
.276								.10 / 3.23	.10 / 3.23	.11 / 3.23	.11 / 3.23
.315									.11 / 3.23	.11 / 3.23	.12 / 3.23
	B / L										

B = minimum groove weight [INCH]

L = maximum usable arm length [INCH]

Example:  $M_{eb} = 1.732$  B = .06

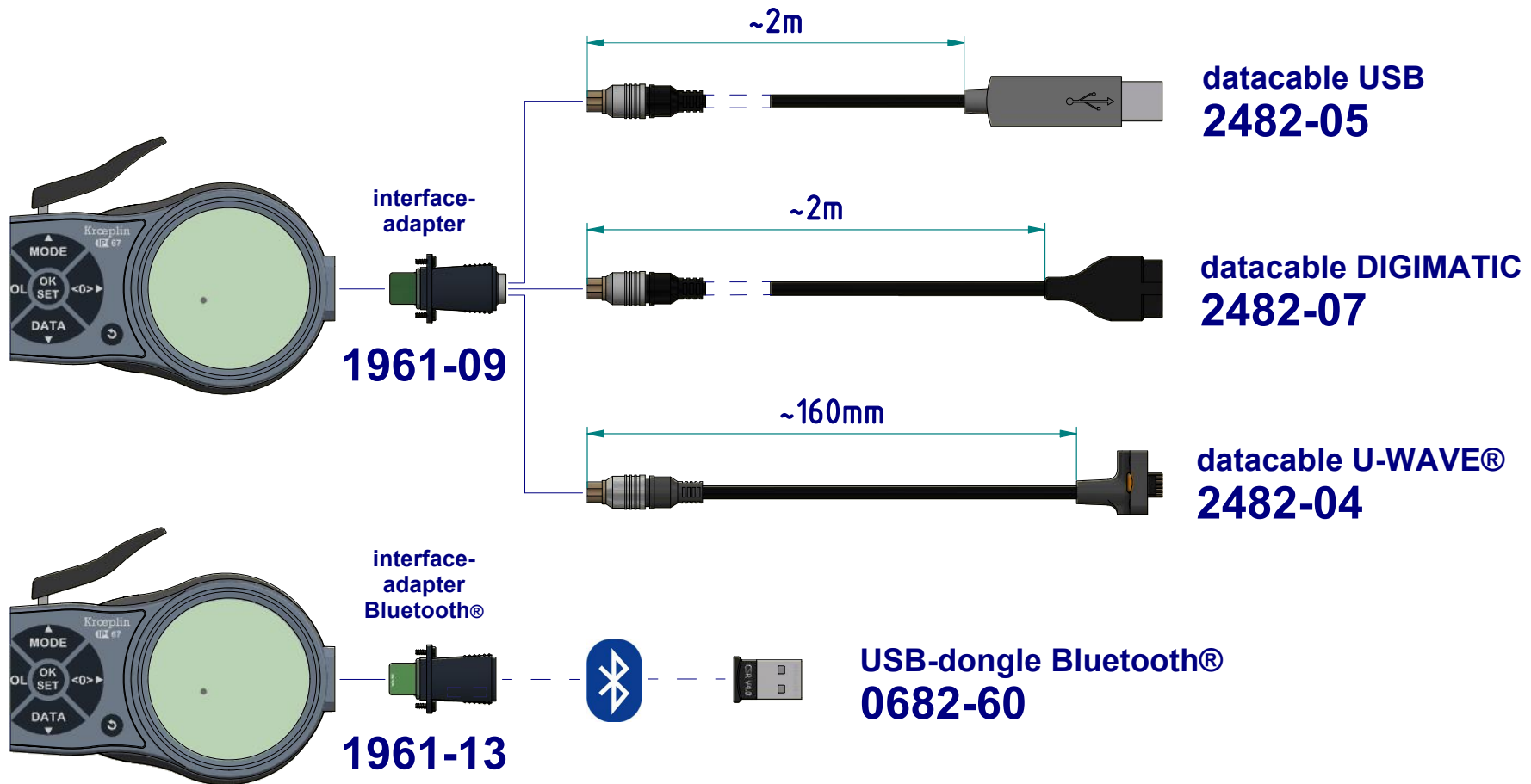
A = .039 L = 3.15



subject to technical alterations

drawing-nr.:	DAB-L240P3-K-i
date of issue:	07.05.2020
name:	B. Schmidt
revision status:	002
revision date:	24.08.2021

interface as accessories available:



subject to technical alterations

drawing-nr.:	DAB-L240P3-K-i
date of issue:	07.05.2020
name:	B. Schmidt
revision status:	002
revision date:	24.08.2021