

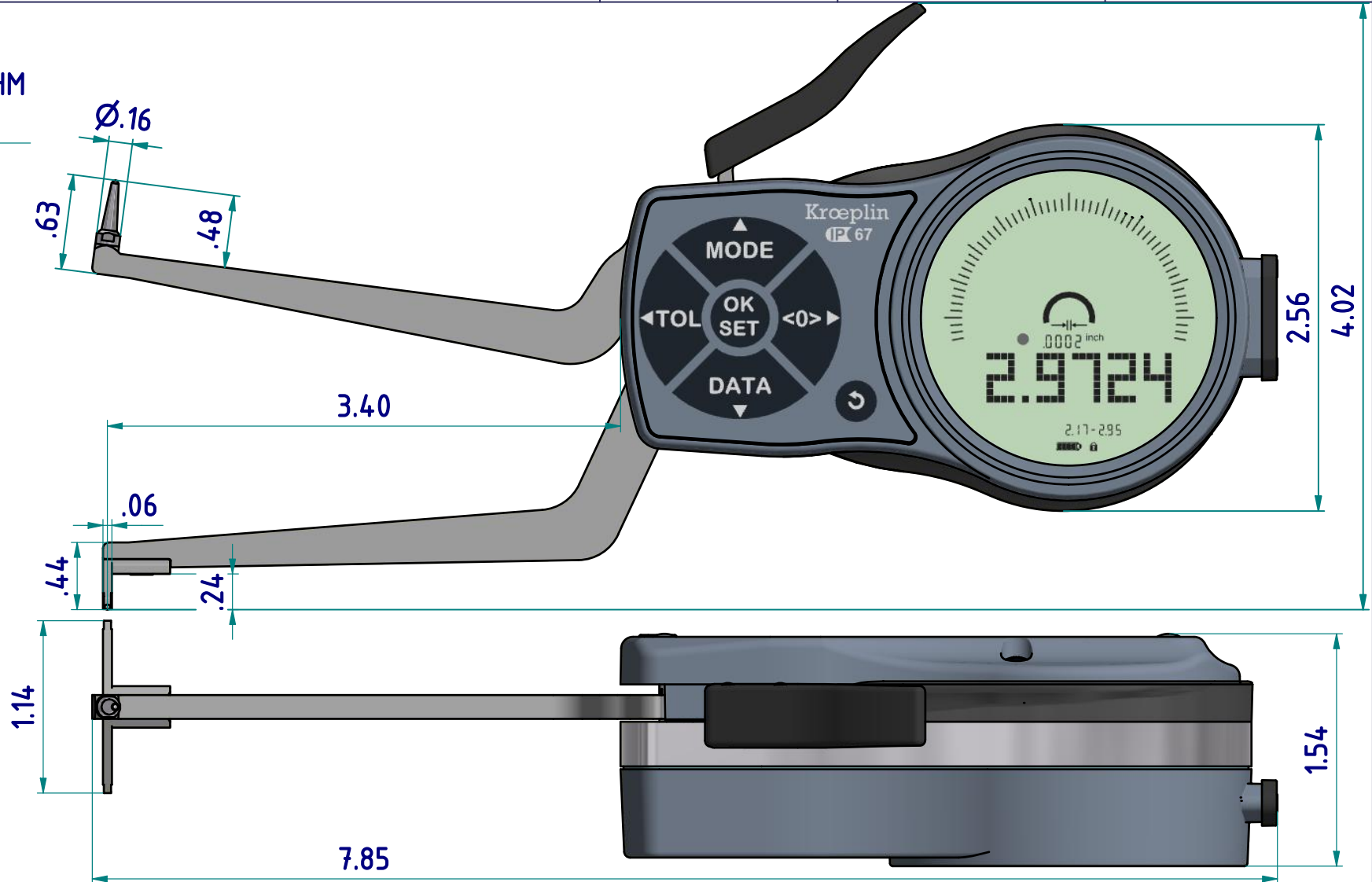
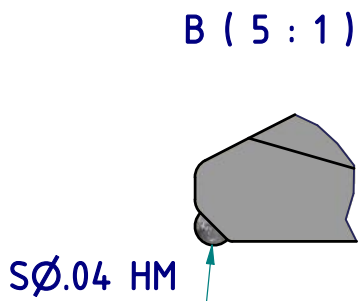
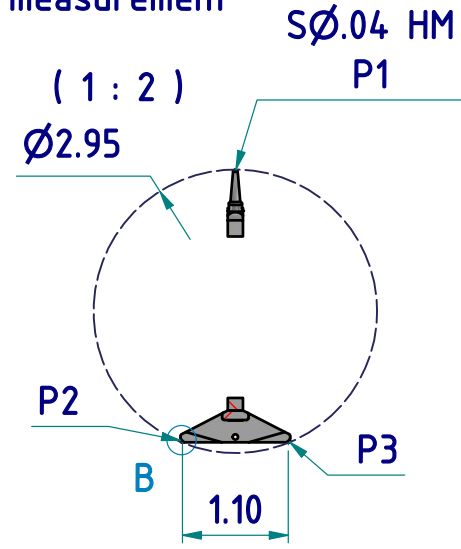
# data sheet: L255P3

Kroepelin GmbH  
Gartenstraße 50  
D-36381 Schlüchtern

Tel.: 06661 86 0  
Fax: 06661 86 39  
Mail: sales@kroepelin.com  
Web: www.kroepelin.com

**Kroepelin**  
Längenmesstechnik

3-point  
measurement



subject to technical alterations

type: L - P3  
range: 2.17 - 2.95 INCH  
range of indication: 2.1456 - 2.9724 INCH  
digital step: .0002 INCH  
scale interval: -  
measuring force: 1,1 - 1,6 N  
weight: 290 g

acceptable deviations  
VDI/VDE/DGQ 2618 Bl. 12.1/13.1)  
max. permissible  
errors "G": .0008 INCH  
repeatability "r": .0004 INCH  
reference temperature: 20° C  
operation temperature: 10° C - 30° C  
storage temperature: -10° C - 50° C

scale: 1:1  
drawing-nr.: DAB-L255P3-K-i  
date of issue: 07.05.2020  
name: B. Schmidt  
revision status: 001  
revision date: 23.09.2020

measuring capacity

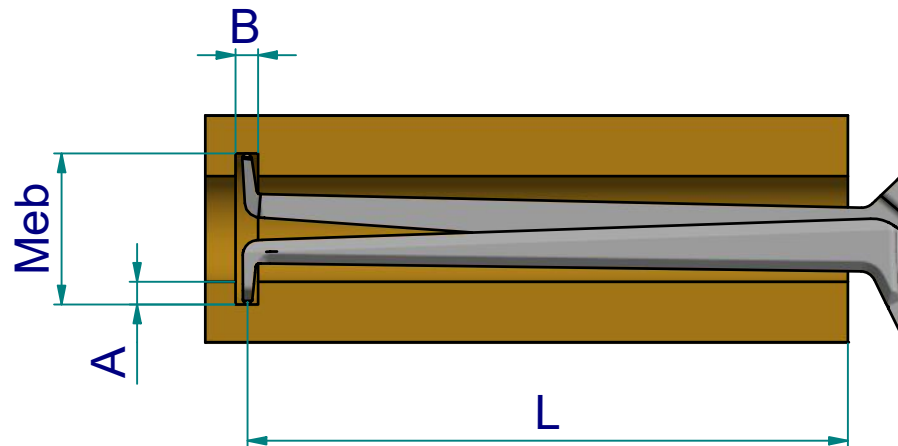
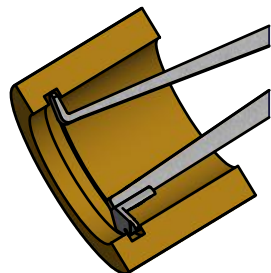
		measuring range Meb [INCH]										
		2.165	2.205	2.283	2.362	2.441	2.520	2.599	2.677	2.756	2.835	2.953
groove depth A [INCH]	0	0 / 3.19	0 / 3.19	0 / 3.19	0 / 3.23	0 / 3.23	0 / 3.23	0 / 3.27	0 / 3.27	0 / 3.27	0 / 3.31	0 / 3.31
	.039			.06 / 3.19	.06 / 3.19	.07 / 3.19	.07 / 3.23	.07 / 3.23	.07 / 3.23	.07 / 3.27	.07 / 3.27	.07 / 3.27
	.079				.07 / 3.19	.07 / 3.19	.07 / 3.19	.07 / 3.23	.07 / 3.23	.07 / 3.27	.07 / 3.27	.08 / 3.27
	.118					.08 / 3.19	.08 / 3.19	.08 / 3.23	.08 / 3.23	.08 / 3.27	.08 / 3.27	.08 / 3.27
	.157						.08 / 3.19	.08 / 3.19	.08 / 3.23	.08 / 3.23	.09 / 3.27	.09 / 3.27
	.197							.09 / 3.23	.09 / 3.23	.09 / 3.23	.09 / 3.27	.09 / 3.27
	.236								.09 / 3.23	.09 / 3.23	.10 / 3.27	.10 / 3.27
	.276									.10 / 3.23	.11 / 3.27	.11 / 3.27
	.315										.11 / 3.27	.12 / 3.27
		B / L										

B = minimum groove width [INCH]

L = maximum usable arm length [INCH]

Example: Meb = 2.283 B = .06

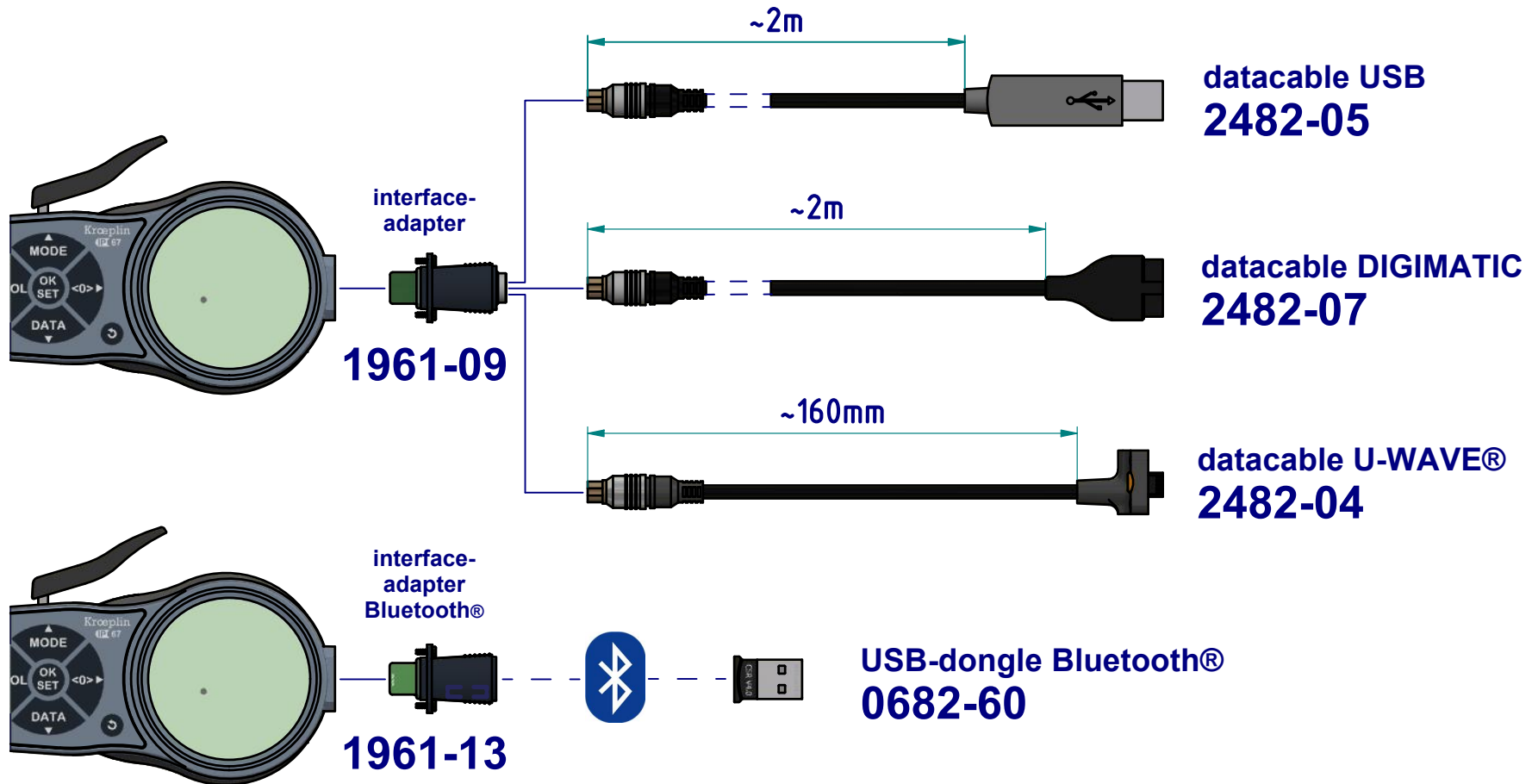
A = .039 L = 3.19



subject to technical alterations

drawing-nr.:	DAB-L255P3-K-i
date of issue:	07.05.2020
name:	B. Schmidt
revision status:	001
revision date:	23.09.2020

interface as accessories available:



subject to technical alterations

drawing-nr.:	DAB-L255P3-K-i
date of issue:	07.05.2020
name:	B. Schmidt
revision status:	001
revision date:	23.09.2020