

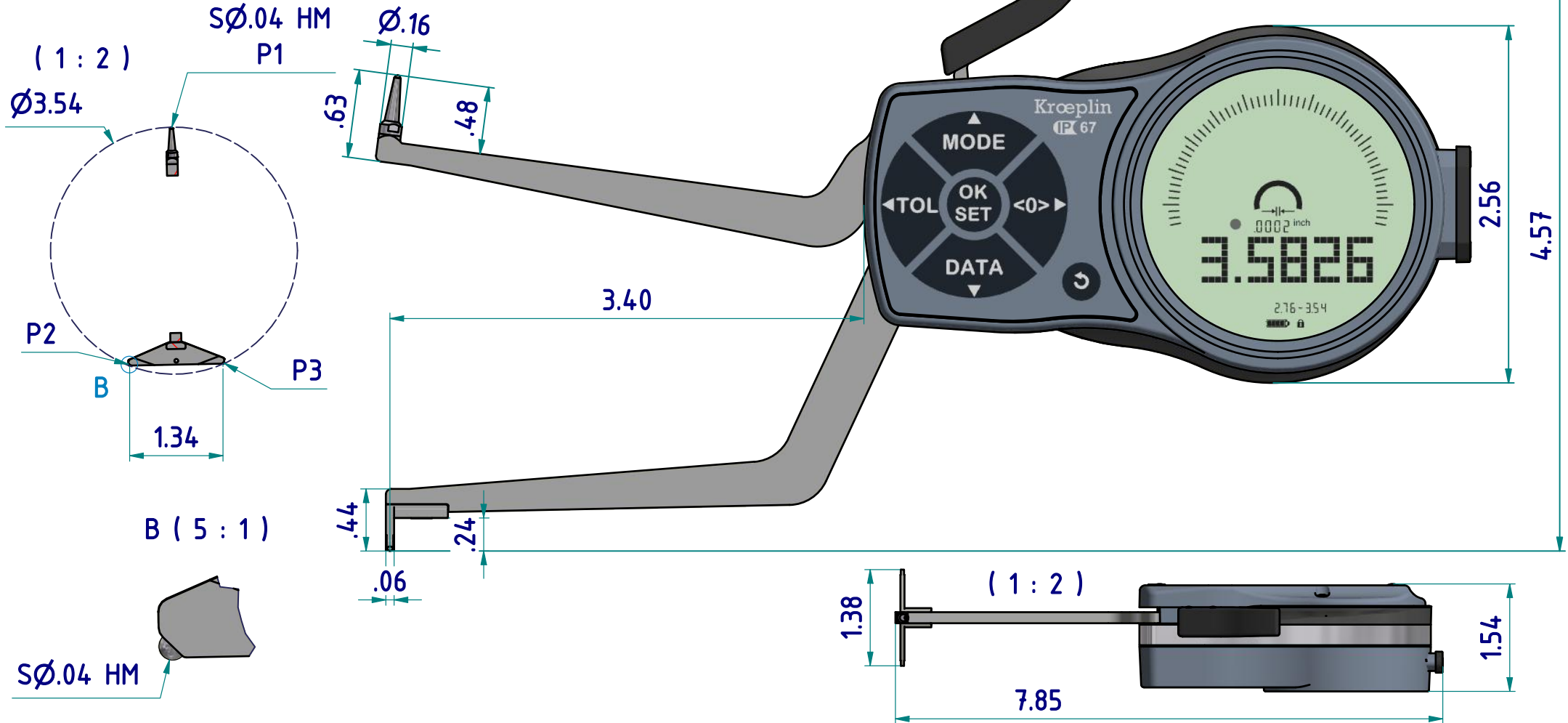
data sheet: L270P3

Kroepflin GmbH
Gartenstraße 50
D-36381 Schlüchtern

Tel.: 06661 86 0
Fax: 06661 86 39
Mail: sales@kroepflin.com
Web: www.kroepflin.com

Kroepflin
Längenmesstechnik

3-point measurement



type: L - P3
range: 2.76 - 3.54 INCH
range of indication: 2.7362 - 3.5826 INCH
digital step: .0002 INCH
scale interval: -
measuring force: 1,1 - 1,6 N
weight: 295 g

acceptable deviations
VDI/VDE/DGQ 2618 Bl. 12.1/13.1)
max. permissible errors "G": .0008 INCH
repeatability "r": .0004 INCH
reference temperature: 20° C
operation temperature: 10° C - 30° C
storage temperature: -10° C - 50° C

scale: 1:1
drawing-nr.: DAB-L270P3-K-i
date of issue: 07.05.2020
name: B. Schmidt
revision status: 001
revision date: 23.09.2020

measuring capacity

measuring range Meb [INCH]

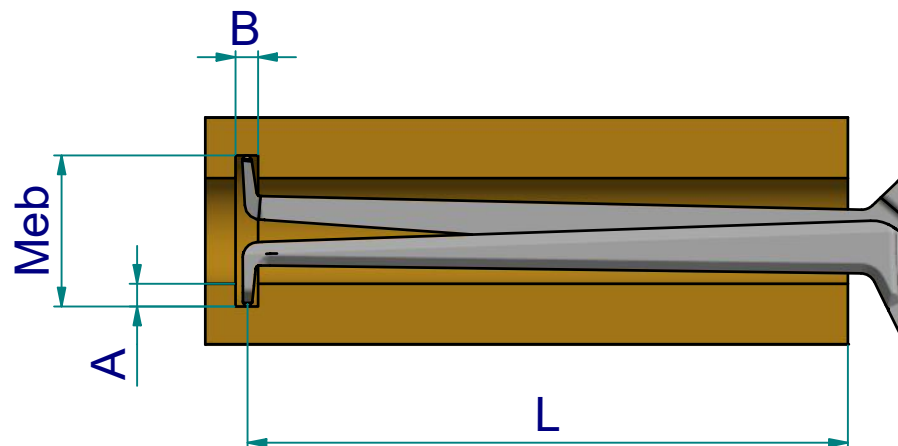
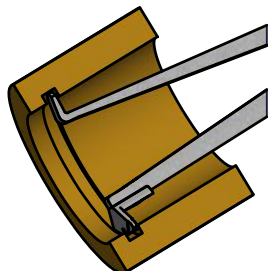
groove depth A [INCH]	2.756	2.835	2.913	2.992	3.071	3.150	3.228	3.307	3.386	3.465	3.543
	0	0 / 3.19	0 / 3.19	0 / 3.23	0 / 3.23	0 / 3.23	0 / 3.27	0 / 3.27	0 / 3.27	0 / 3.27	0 / 3.31
.039		.06 / 3.19	.06 / 3.19	.06 / 3.23	.06 / 3.23	.06 / 3.23	.06 / 3.27	.07 / 3.27	.07 / 3.27	.07 / 3.27	.07 / 3.27
.079			.07 / 3.19	.07 / 3.19	.07 / 3.23	.07 / 3.23	.07 / 3.27	.07 / 3.27	.07 / 3.27	.07 / 3.27	.07 / 3.27
.118				.07 / 3.19	.07 / 3.23	.07 / 3.23	.07 / 3.27	.08 / 3.27	.08 / 3.27	.08 / 3.27	.08 / 3.27
.157					.08 / 3.23	.08 / 3.23	.08 / 3.27	.08 / 3.27	.08 / 3.27	.09 / 3.27	.09 / 3.27
.197						.09 / 3.23	.09 / 3.27	.09 / 3.27	.09 / 3.27	.09 / 3.27	.09 / 3.27
.236							.09 / 3.23	.09 / 3.23	.10 / 3.27	.10 / 3.27	.11 / 3.27
.276								.11 / 3.23	.11 / 3.27	.11 / 3.27	.11 / 3.27
.315									.11 / 3.27	.11 / 3.27	.12 / 3.27
	B / L										

B = minimum groove width [INCH]

L = maximum usable arm length [INCH]

Example: Meb = 2.913 B = .06

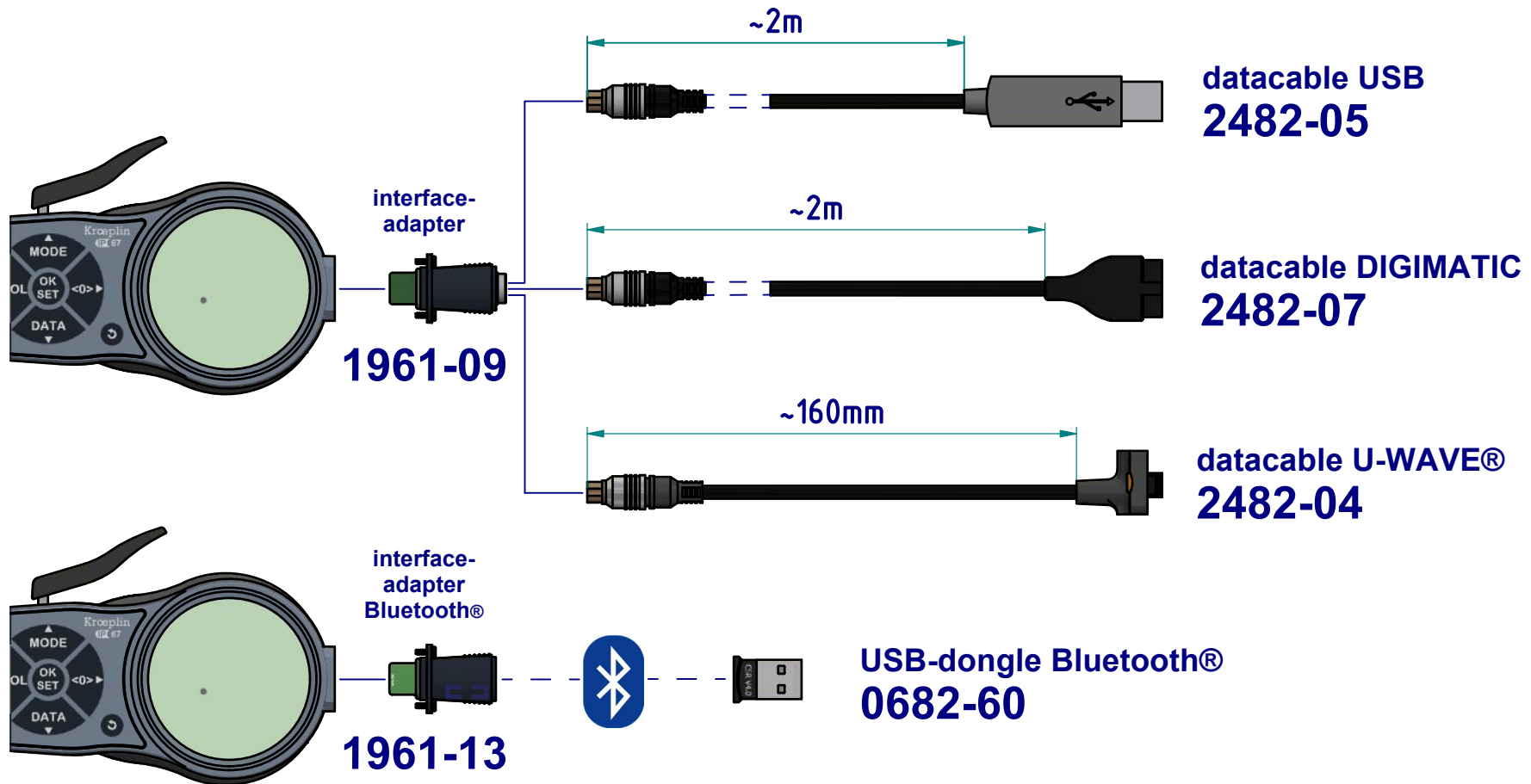
A = .039 L = 3.19



subject to technical alterations

drawing-nr.:	DAB-L270P3-K-i
date of issue:	07.05.2020
name:	B. Schmidt
revision status:	001
revision date:	23.09.2020

interface as accessories available:



subject to technical alterations

drawing-nr.:	DAB-L270P3-K-i
date of issue:	07.05.2020
name:	B. Schmidt
revision status:	001
revision date:	23.09.2020