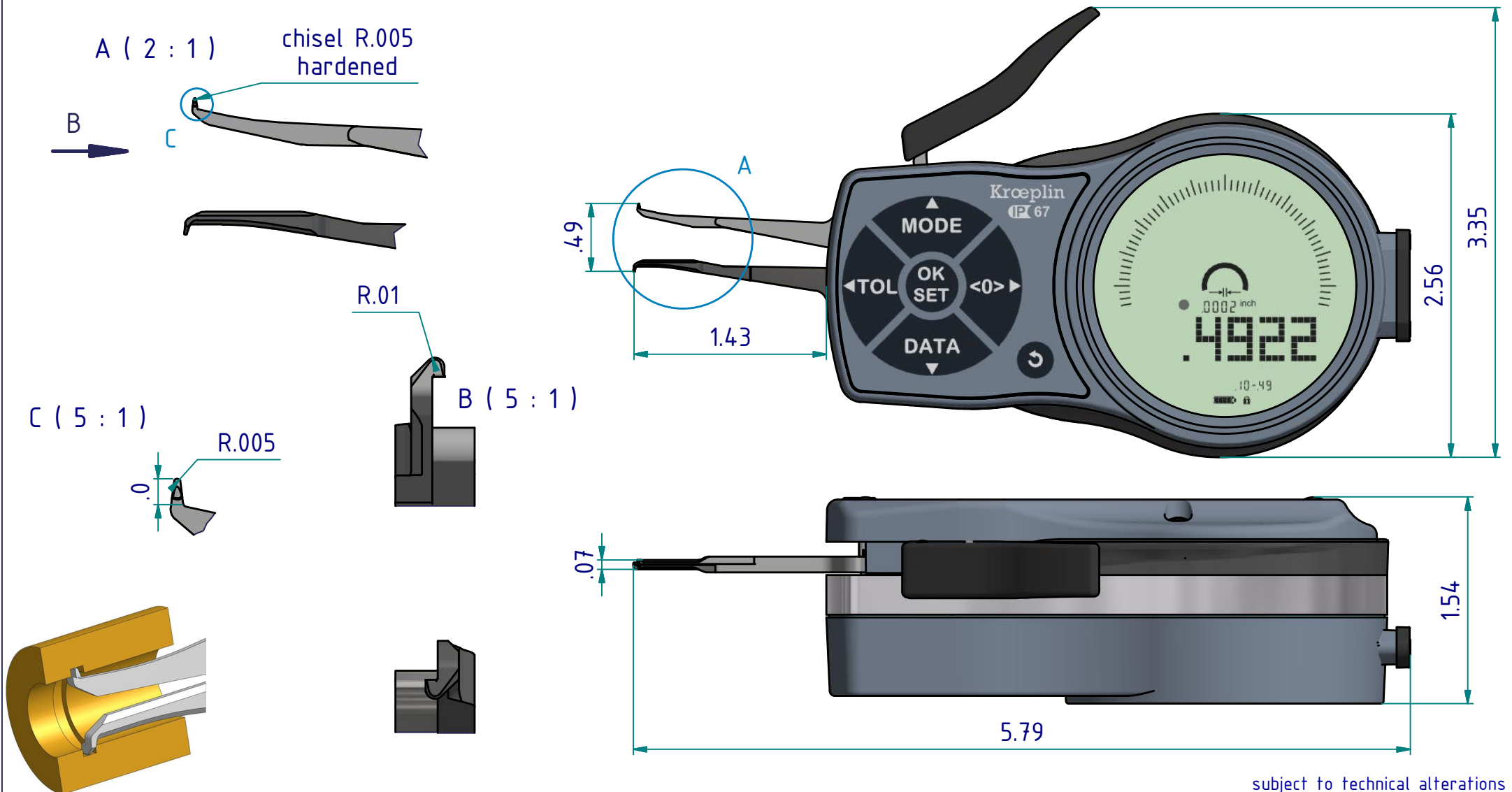


# data sheet: L102

Kroepflin GmbH  
Gartenstraße 50  
D-36381 Schlüchtern

Tel.: 06661 86 0  
Fax: 06661 86 39  
Mail: sales@kroepflin.com  
Web: www.kroepflin.com

**Kroepflin**  
Längenmesstechnik



subject to technical alterations

**type:** L  
**range:** .10 - .49 INCH  
**range of indication:** .0944 - .4922 INCH  
**digital step:** .0002 INCH  
**scale interval:** -  
**measuring force:** 0,8 - 1,2 N  
**weight:** 245 g

acceptable deviations  
VDI/VDE/DGQ 2618 Bl. 12.1/13.1)  
**max. permissible errors "G":** .0008 INCH  
**repeatability "r":** .0002 INCH  
**reference temperature:** 20° C  
**operation temperature:** 10° C - 30° C  
**storage temperature:** -10° C - 50° C

**scale:** 1:1  
**drawing-nr.:** DAB-L102-K-i  
**date of issue:** 06.05.2020  
**name:** B. Schmidt  
**revision status:**  
**revision date:**

## measuring capacity

measuring range Meb [INCH]

groove depth A [INCH]		.098	.118	.138	.157	.177	.197	.217	.236	.256	.276	.295	.315
	0	0 / .39	0 / .41	0 / .41	0 / .41	0 / .41	0 / .42	0 / .43	0 / .44	0 / .45	0 / .46	0 / .48	0 / .49
	.008		.02 / .36	.02 / .36	.02 / .36	.02 / .37	.02 / .37	.02 / .38	.02 / .39	.02 / .40	.02 / .41	.02 / .42	.02 / .43
	.016			.02 / .31	.02 / .31	.02 / .32	.02 / .32	.02 / .33	.02 / .34	.02 / .34	.02 / .35	.02 / .36	.02 / .37
	.024				.02 / .25	.02 / .25	.02 / .26	.02 / .27	.02 / .28	.02 / .28	.02 / .30	.02 / .30	.02 / .32
	.028				.02 / .20	.02 / .21	.02 / .22	.02 / .22	.02 / .23	.02 / .24	.02 / .26	.02 / .27	.02 / .28
	B / L												

measuring range Meb [INCH]

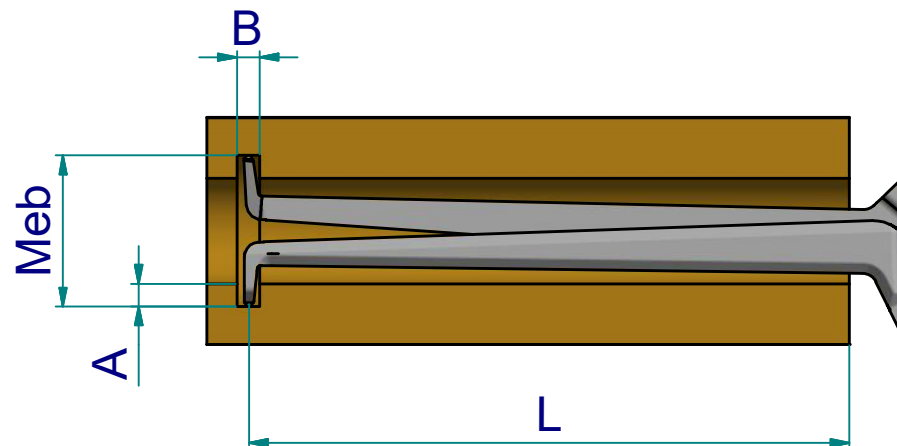
groove depth A [INCH]		.335	.354	.374	.394	.413	.433	.453	.472	.492
	0	0 / .50	0 / .52	0 / .54	0 / .56	0 / .58	0 / .61	0 / .63	0 / .67	0 / .70
	.008	.02 / .45	.02 / .46	.02 / .48	.02 / .50	.02 / .51	.02 / .54	.02 / .56	.02 / .59	.02 / .61
	.016	.02 / .39	.02 / .40	.02 / .41	.02 / .43	.02 / .45	.02 / .46	.02 / .48	.02 / .50	.02 / .53
	.024	.02 / .33	.02 / .34	.02 / .35	.02 / .36	.02 / .37	.02 / .39	.02 / .41	.02 / .43	.02 / .45
	.028	.02 / .29	.02 / .30	.02 / .32	.02 / .33	.02 / .34	.02 / .35	.02 / .37	.02 / .39	.02 / .41
	B / L									

B = minimum groove width [INCH]

L = maximum usable arm length [INCH]

Example: Meb = .157 B = .02

A = .016 L = .31

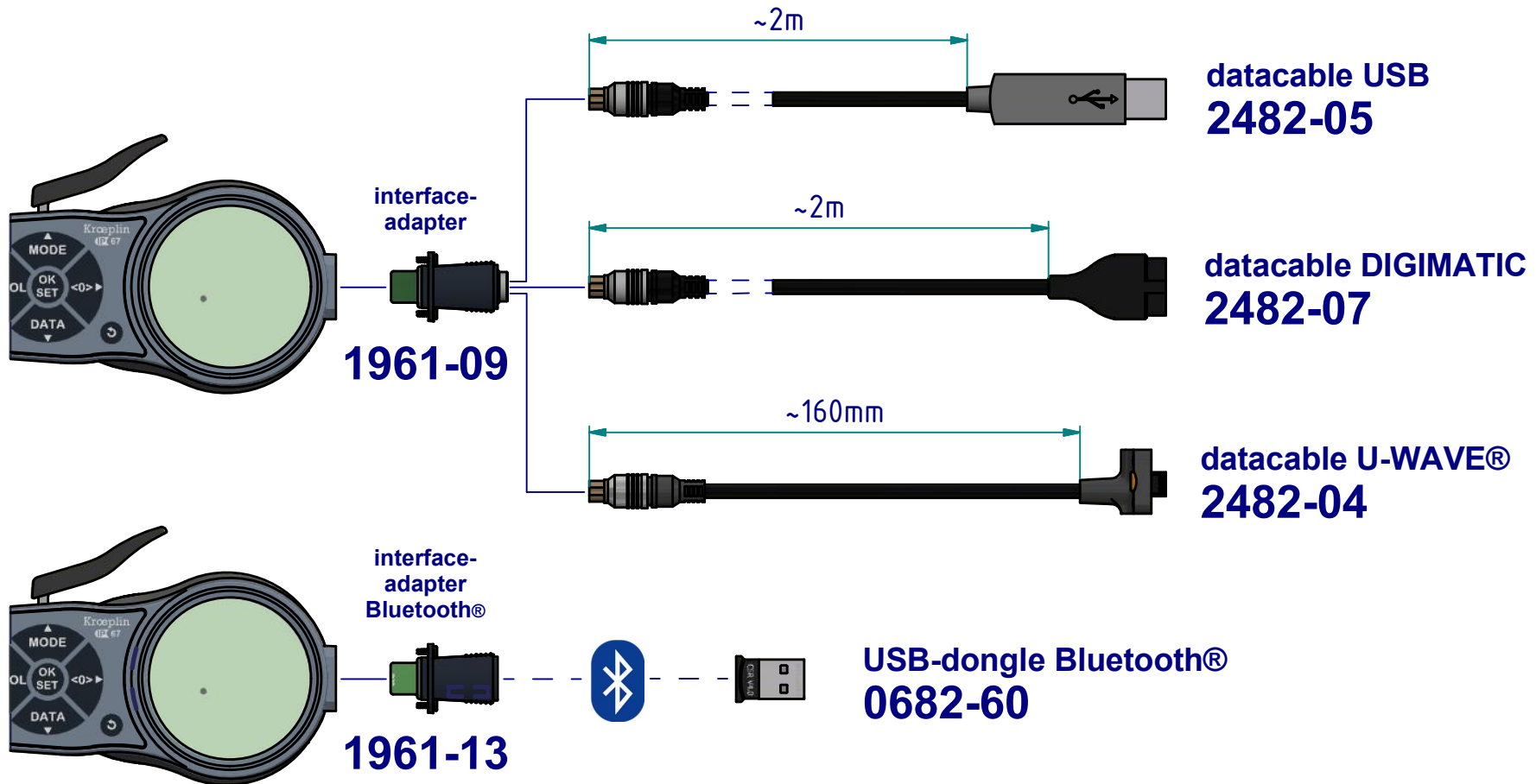


subject to technical alterations

drawing-nr.: DAB-L102-K-i  
date of issue: 06.05.2020  
name: B. Schmidt

revision status:  
revision date:

interface as accessories available:



subject to technical alterations

drawing-nr.: DAB-L102-K-i  
date of issue: 06.05.2020  
name: B. Schmidt

revision status:  
revision date: