

subject to technical alterations

type: L
range: .39 - 1.18 INCH
range of indication: .3740 - 1.210 INCH
digital step: .0005 INCH
scale interval: -
measuring force: 1,1 - 1,6 N
weight: 270 g

acceptable deviations
VDI/VDE/DGQ 2618 Bl. 12.1/13.1)
max. permissible errors "G": .0015 INCH
repeatability "r": .0005 INCH
reference temperature: 20° C
operation temperature: 10° C - 30° C
storage temperature: -10° C - 50° C

scale: 1:1
drawing-nr.: DAB-L210-K-i
date of issue: 06.05.2020
name: B. Schmidt
revision status:
revision date:

measuring capacity

measuring range Meb [INCH]

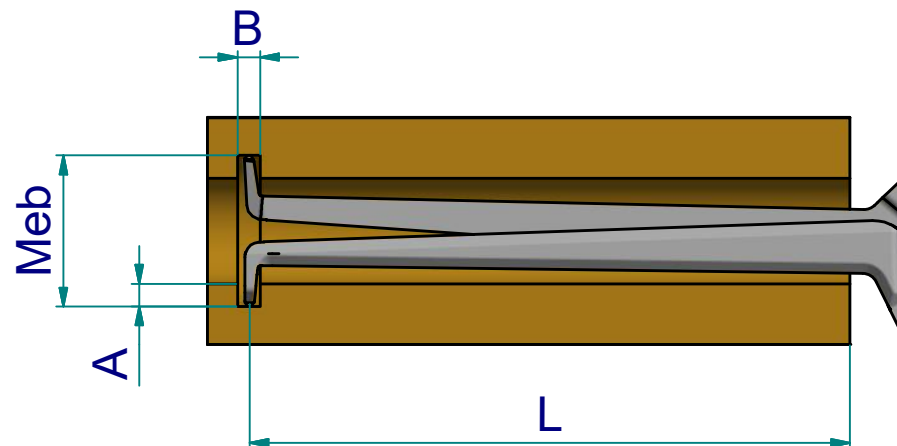
| groove depth A [INCH] | measuring range Meb [INCH] | | | | | | | | | |
|--------------------------|----------------------------|------------|------------|------------|------------|------------|------------|------------|------------|--|
| | .39 | .47 | .55 | .63 | .71 | .79 | .87 | .98 | 1.18 | |
| 0 | 0 / 3.26 | 0 / 3.29 | 0 / 3.29 | 0 / 3.30 | 0 / 3.30 | 0 / 3.31 | 0 / 3.33 | 0 / 3.35 | 0 / 3.38 | |
| .039 | | .07 / 3.23 | .06 / 3.27 | .06 / 3.28 | .06 / 3.28 | .06 / 3.30 | .06 / 3.31 | .06 / 3.33 | .06 / 3.36 | |
| .079 | | | .07 / 3.22 | .07 / 3.22 | .07 / 3.23 | .07 / 3.24 | .06 / 3.25 | .06 / 3.31 | .06 / 3.34 | |
| .118 | | | | .08 / 3.01 | .07 / 3.23 | .07 / 3.26 | .07 / 3.27 | .07 / 3.28 | .07 / 3.32 | |
| .157 | | | | | .09 / 2.05 | .08 / 2.79 | .07 / 3.23 | .07 / 3.26 | .07 / 3.30 | |
| .177 | | | | | | .10 / 1.68 | .09 / 2.80 | .08 / 3.26 | .07 / 3.29 | |
| .197 | | | | | | .16 / .06 | .13 / .94 | .11 / 3.23 | .09 / 3.28 | |
| | B / L | | | | | | | | | |

B = minimum groove width [INCH]

L = maximum usable arm length [INCH]

Example: Meb = .63 B = .07

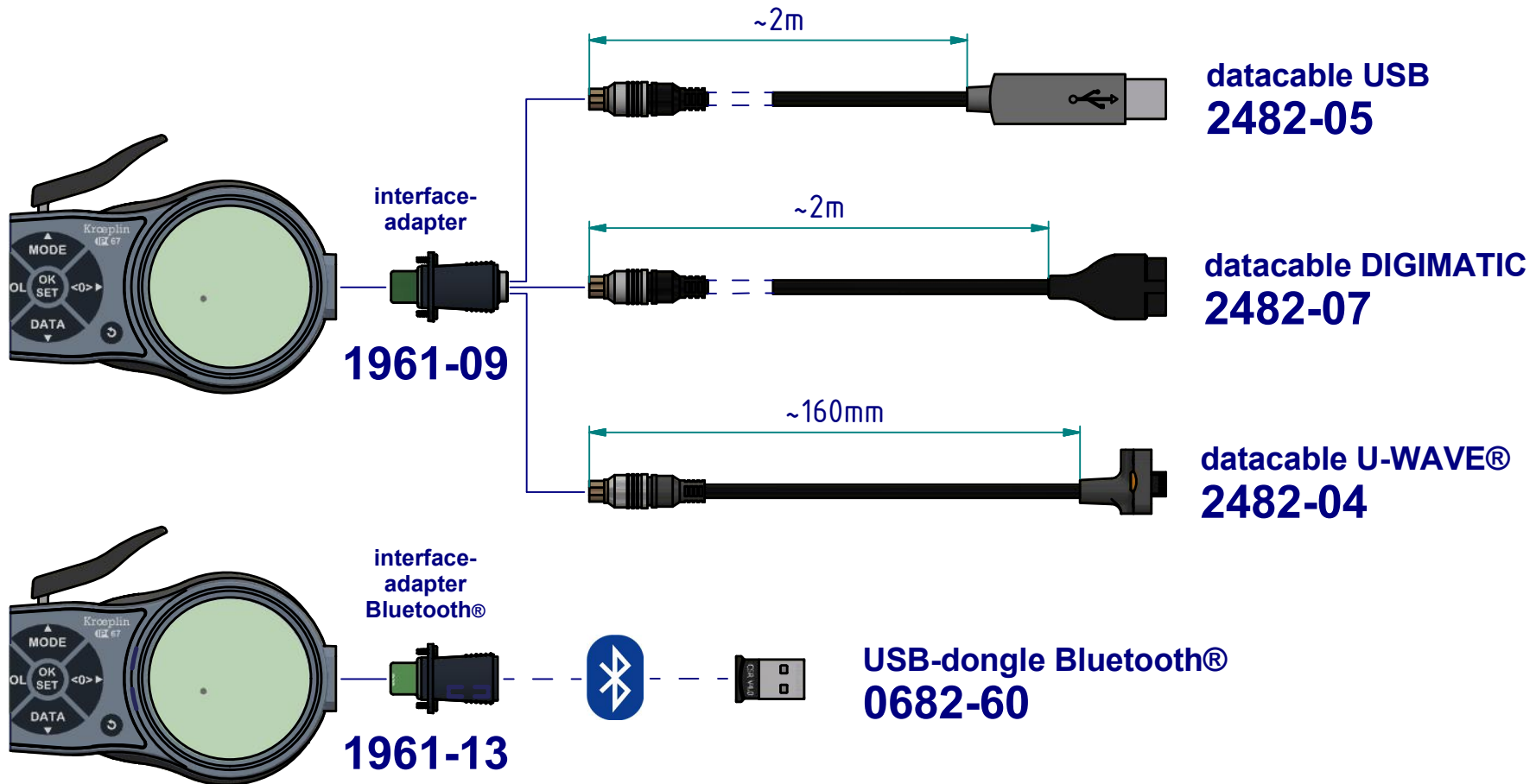
A = .079 L = 3.22



subject to technical alterations

| | |
|-------------------------|---------------------|
| drawing-nr.: | DAB-L210-K-i |
| date of issue: | 06.05.2020 |
| name: | B. Schmidt |
| revision status: | |
| revision date: | |

interface as accessories available:



subject to technical alterations

| | |
|------------------|--------------|
| drawing-nr.: | DAB-L210-K-i |
| date of issue: | 06.05.2020 |
| name: | B. Schmidt |
| revision status: | |
| revision date: | |