

measuring capacity

measuring range Meb [INCH]

groove depth A
[INCH]

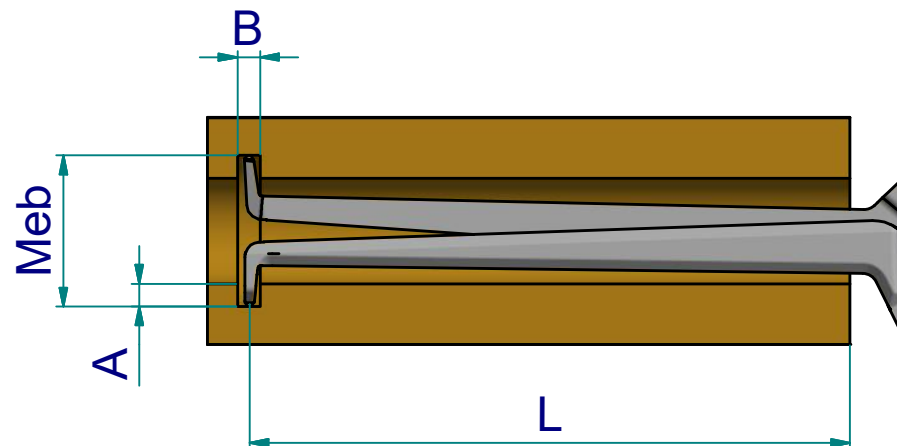
	1.18	1.26	1.34	1.42	1.50	1.57	1.65	1.77	1.97
0	0 / 2.91	0 / 3.28	0 / 3.33	0 / 3.37	0 / 3.41	0 / 3.42	0 / 3.43	0 / 3.44	0 / 3.46
.039		.06 / 3.20		.06 / 3.35	.06 / 3.39	.06 / 3.41	.06 / 3.42	.06 / 3.43	.06 / 3.44
.079			.06 / 3.26	.06 / 3.32	.06 / 3.36	.06 / 3.40	.06 / 3.41	.06 / 3.42	.06 / 3.43
.118				.07 / 3.29	.07 / 3.33	.07 / 3.37	.07 / 3.41	.07 / 3.41	.07 / 3.43
.157					.07 / 3.31	.07 / 3.35	.07 / 3.39	.07 / 3.41	.07 / 3.42
.197						.08 / 3.32	.08 / 3.35	.08 / 3.40	.08 / 3.41
.236							.08 / 3.33	.08 / 3.38	.08 / 3.40
.256								.09 / 3.37	.09 / 3.40
	B / L								

B = minimum groove width [INCH]

L = maximum arm length [INCH]

Example: Meb = 1.42 B = .06

A = .079 L = 3.32

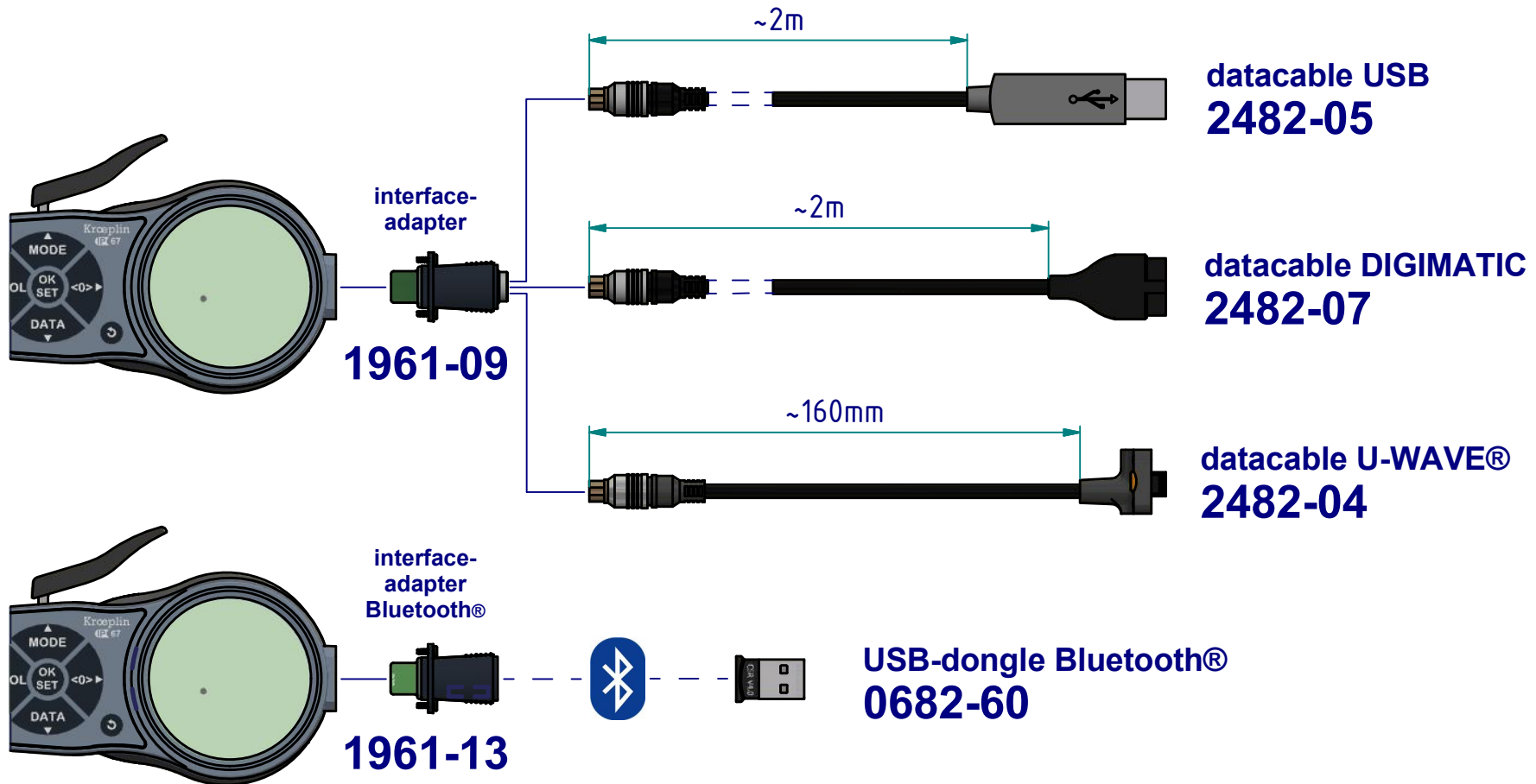


subject to technical alterations

drawing-nr.: DAB-L230-K-i
date of issue: 06.05.2020
name: B. Schmidt

revision status:
revision date:

interface as accessories available:



subject to technical alterations

drawing-nr.:	DAB-L230-K-i
date of issue:	06.05.2020
name:	B. Schmidt
revision status:	
revision date:	