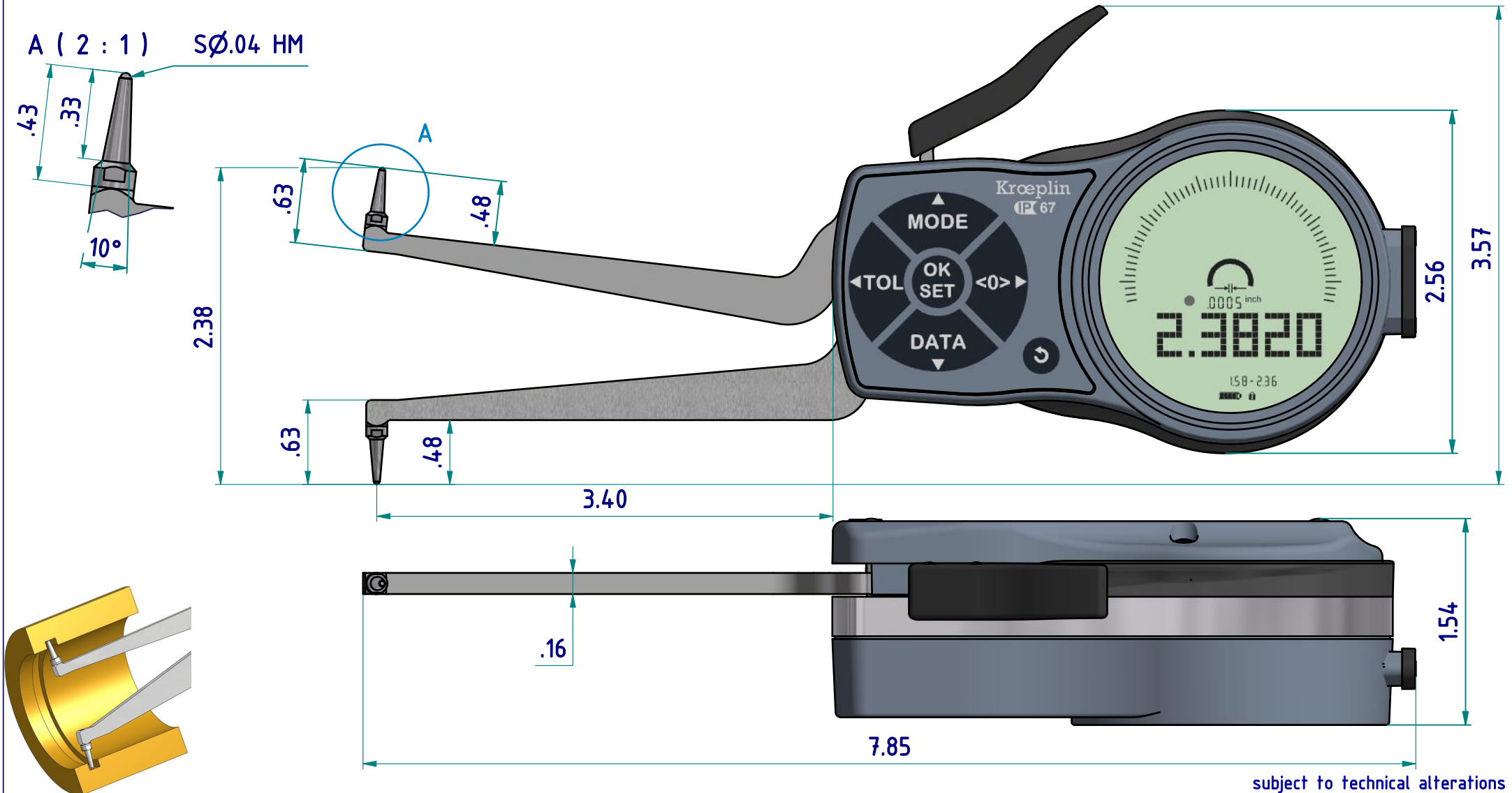


# data sheet: L240

Kroepflin GmbH  
Gartenstraße 50  
D-36381 Schlüchtern

Tel.: 06661 86 0  
Fax: 06661 86 39  
Mail: sales@kroepflin.com  
Web: www.kroepflin.com

**Kroepflin**  
Längenmesstechnik



subject to technical alterations

**type:** L  
**range:** 1.58 - 2.36 INCH  
**range of indication:** 1.5550 - 2.3820 INCH  
**digital step:** .0005 INCH  
**scale interval:** -  
**measuring force:** 1,1 - 1,6 N  
**weight:** 285 g

acceptable deviations  
VDI/VDE/DGQ 2618 Bl. 12.1/13.1)  
**max. permissible errors "G":** .0015 INCH  
**repeatability "r":** .0005 INCH  
**reference temperature:** 20° C  
**operation temperature:** 10° C - 30° C  
**storage temperature:** -10° C - 50° C

**scale:** 1:1  
**drawing-nr.:** DAB-L240-K-i  
**date of issue:** 06.05.2020  
**name:** B. Schmidt  
**revision status:** 001  
**revision date:** 23.09.2020

measuring capacity

measuring range Meb [INCH]

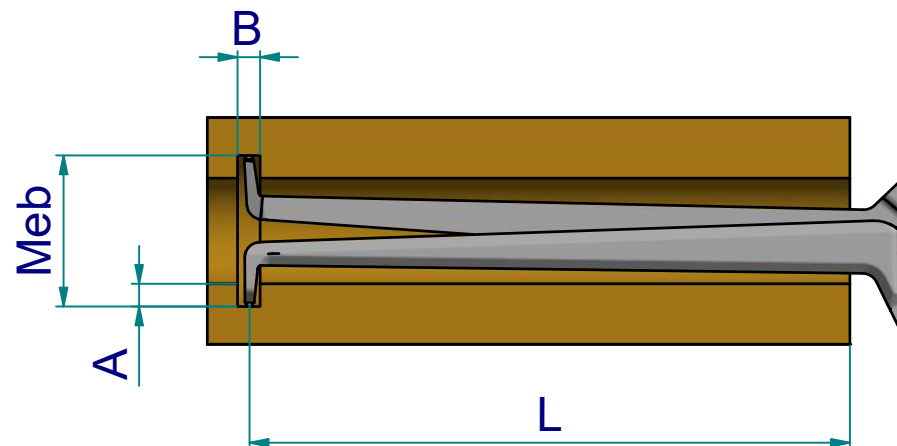
	1.57	1.65	1.73	1.81	1.89	1.97	2.05	2.13	2.20	2.28	2.36
0	0 / 3.21	0 / 3.24	0 / 3.26	0 / 3.31	0 / 3.37	0 / 3.41	0 / 3.43	0 / 3.43	0 / 3.44	0 / 3.45	0 / 3.45
.039		.06 / 3.22	.06 / 3.25	.06 / 3.28	.06 / 3.33	.06 / 3.39	.06 / 3.42	.06 / 3.43	.06 / 3.43	.06 / 3.44	.06 / 3.44
.079			.07 / 3.23	.07 / 3.26	.07 / 3.29	.07 / 3.35	.07 / 3.40	.07 / 3.42	.07 / 3.43	.07 / 3.43	.07 / 3.43
.118				.07 / 3.24	.07 / 3.27	.07 / 3.31	.07 / 3.37	.07 / 3.41	.07 / 3.42	.07 / 3.42	.07 / 3.42
.157					.08 / 3.25	.08 / 3.28	.08 / 3.32	.08 / 3.39	.08 / 3.41	.08 / 3.42	.08 / 3.41
.197						.09 / 3.26	.09 / 3.29	.09 / 3.34	.09 / 3.39	.09 / 3.41	.09 / 3.41
.236							.09 / 3.26	.09 / 3.30	.09 / 3.36	.09 / 3.40	.09 / 3.40
.276								.10 / 3.27	.10 / 3.31	.10 / 3.37	.10 / 3.39
.315									.11 / 3.28	.11 / 3.32	.11 / 3.36
	B / L										

B = minimum groove width [INCH]

L = maximum arm length [INCH]

Example: Meb = 1.81 B = .07

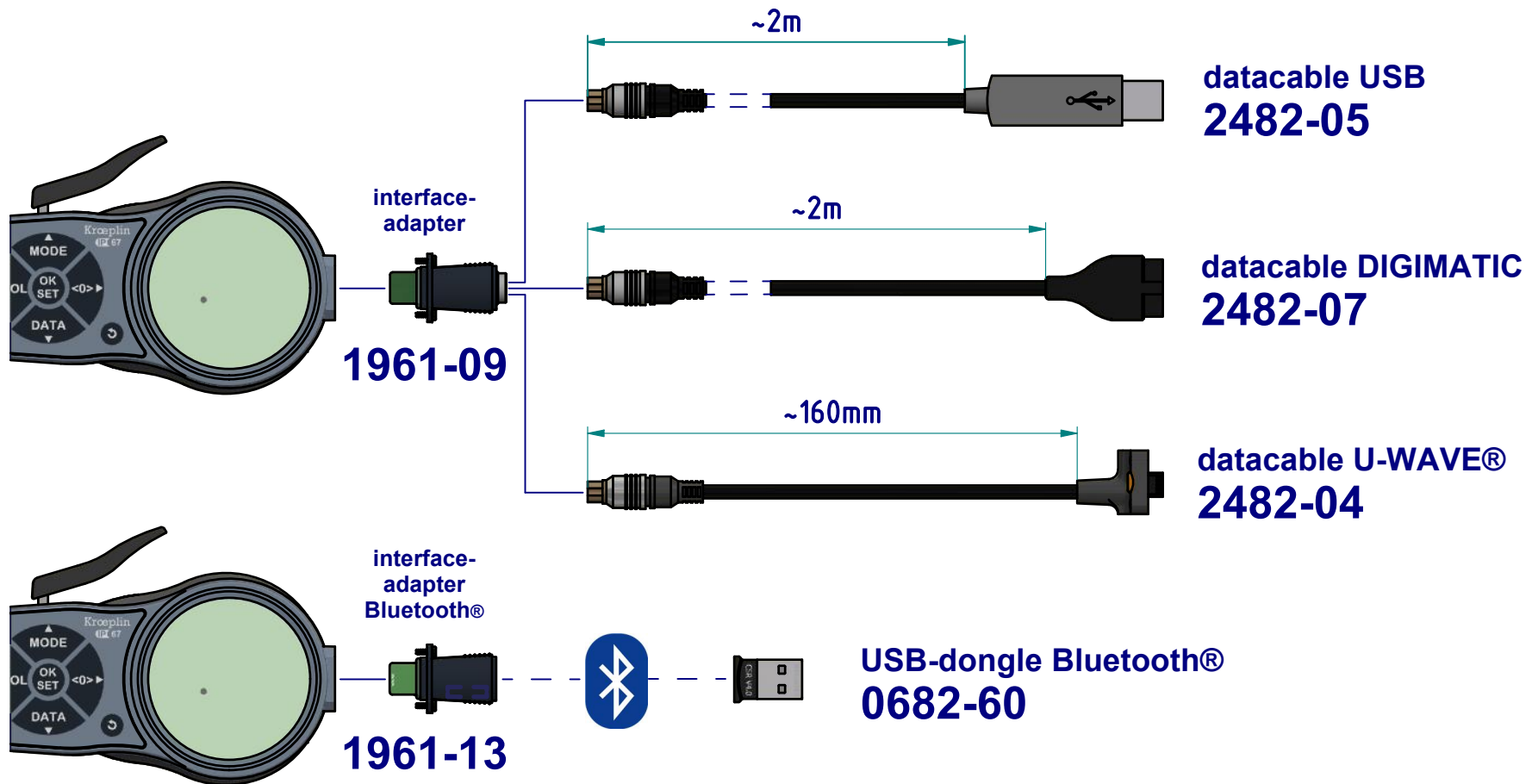
A = .079 L = 3.26



subject to technical alterations

drawing-nr.:	DAB-L240-K-i
date of issue:	06.05.2020
name:	B. Schmidt
revision status:	001
revision date:	23.09.2020

interface as accessories available:



subject to technical alterations

drawing-nr.:	DAB-L240-K-i
date of issue:	06.05.2020
name:	B. Schmidt
revision status:	001
revision date:	23.09.2020