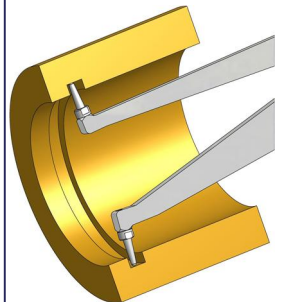
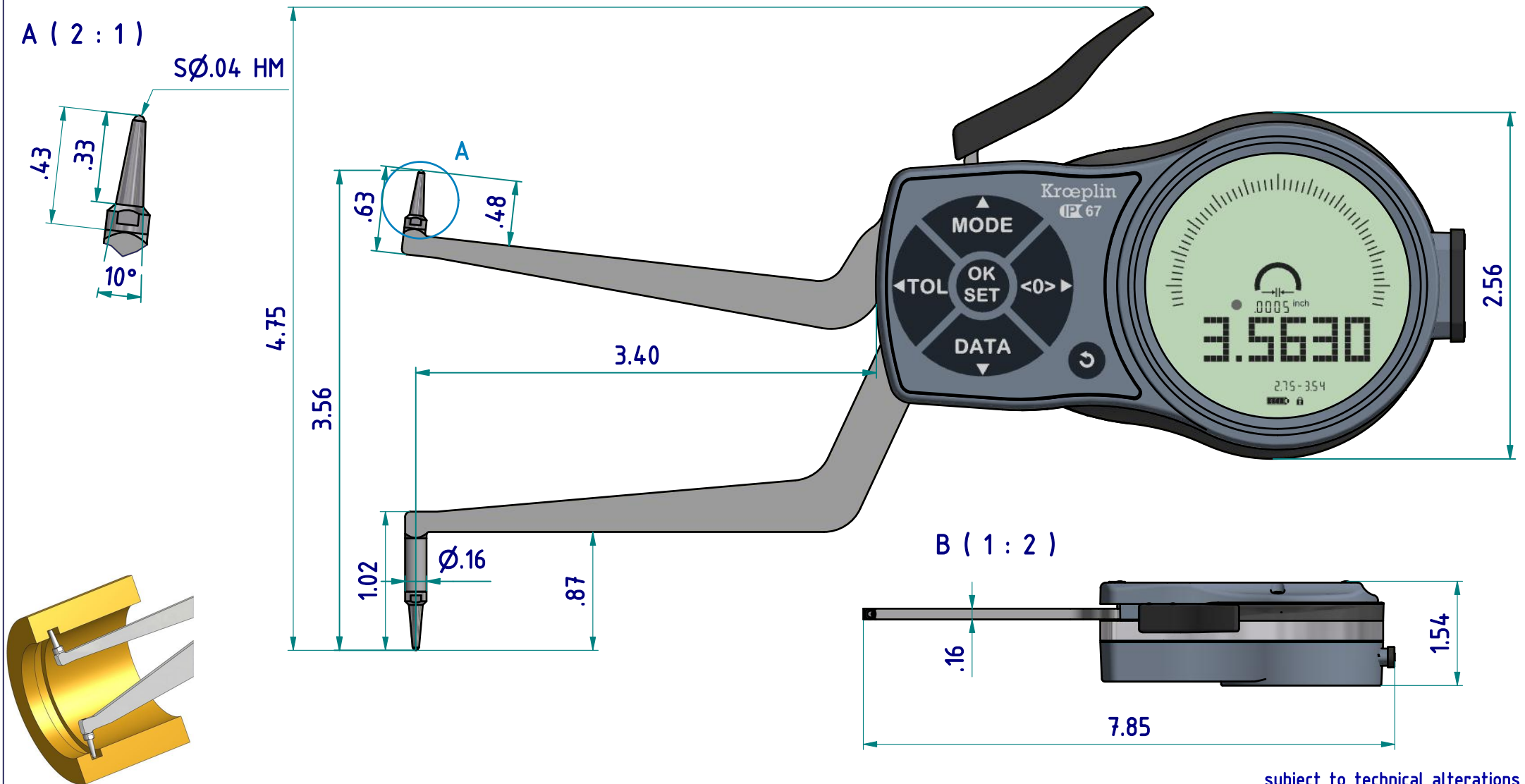


data sheet: L270

Kroepelin GmbH
Gartenstraße 50
D-36381 Schlüchtern

Tel.: 06661 86 0
Fax: 06661 86 39
Mail: sales@kroepelin.com
Web: www.kroepelin.com

Kroepelin
Längenmesstechnik



subject to technical alterations

type: L
range: 2.75 - 3.54 INCH
range of indication: 2.7360 - 3.5630 INCH
digital step: .0005 INCH
scale interval: -
measuring force: 1,1 - 1,6 N
weight: 290 g

acceptable deviations
VDI/VDE/DGQ 2618 Bl. 12.1/(13.1)
max. permissible errors "G": .0015 INCH
repeatability "r": .0005 INCH
reference temperature: 20° C
operation temperature: 10° C - 30° C
storage temperature: -10° C - 50° C

scale: 1:1
drawing-nr.: DAB-L270-K-i
date of issue: 07.05.2020
name: B. Schmidt
revision status: 001
revision date: 23.09.2020

measuring capacity

measuring range Meb [INCH]

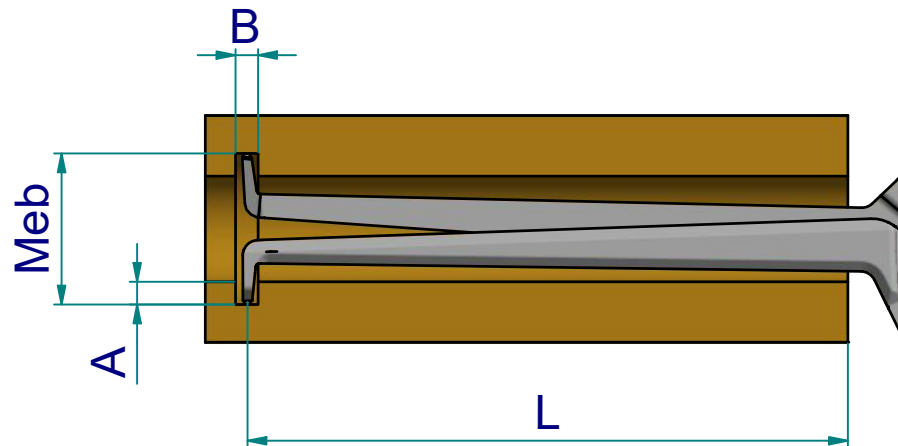
groove depth A [INCH]	2.76	2.83	2.91	2.99	3.07	3.15	3.23	3.31	3.39	3.46	3.54
	0	0 / 3.21	0 / 3.24	0 / 3.26	0 / 3.30	0 / 3.37	0 / 3.41	0 / 3.43	0 / 3.43	0 / 3.44	0 / 3.45
.039		.06 / 3.22	.06 / 3.25	.06 / 3.28	.06 / 3.32	.06 / 3.39	.06 / 3.42	.06 / 3.43	.06 / 3.44	.06 / 3.44	.06 / 3.45
.079			.07 / 3.23	.07 / 3.26	.07 / 3.29	.07 / 3.35	.07 / 3.40	.07 / 3.42	.07 / 3.43	.07 / 3.43	.07 / 3.44
.118				.07 / 3.24	.07 / 3.27	.07 / 3.31	.07 / 3.37	.07 / 3.41	.07 / 3.42	.07 / 3.42	.07 / 3.43
.157					.08 / 3.25	.08 / 3.28	.08 / 3.33	.08 / 3.39	.08 / 3.41	.08 / 3.41	.08 / 3.42
.197						.09 / 3.26	.09 / 3.29	.09 / 3.35	.09 / 3.40	.09 / 3.41	.09 / 3.41
.236							.09 / 3.26	.09 / 3.31	.09 / 3.37	.09 / 3.39	.09 / 3.41
.276								.10 / 3.27	.10 / 3.32	.10 / 3.36	.10 / 3.40
.315									.11 / 3.28	.11 / 3.31	.11 / 3.39
	B / L										

B = minimum groove width [INCH]

L = maximum usable arm length [INCH]

Example: Meb = 2.99 B = .07

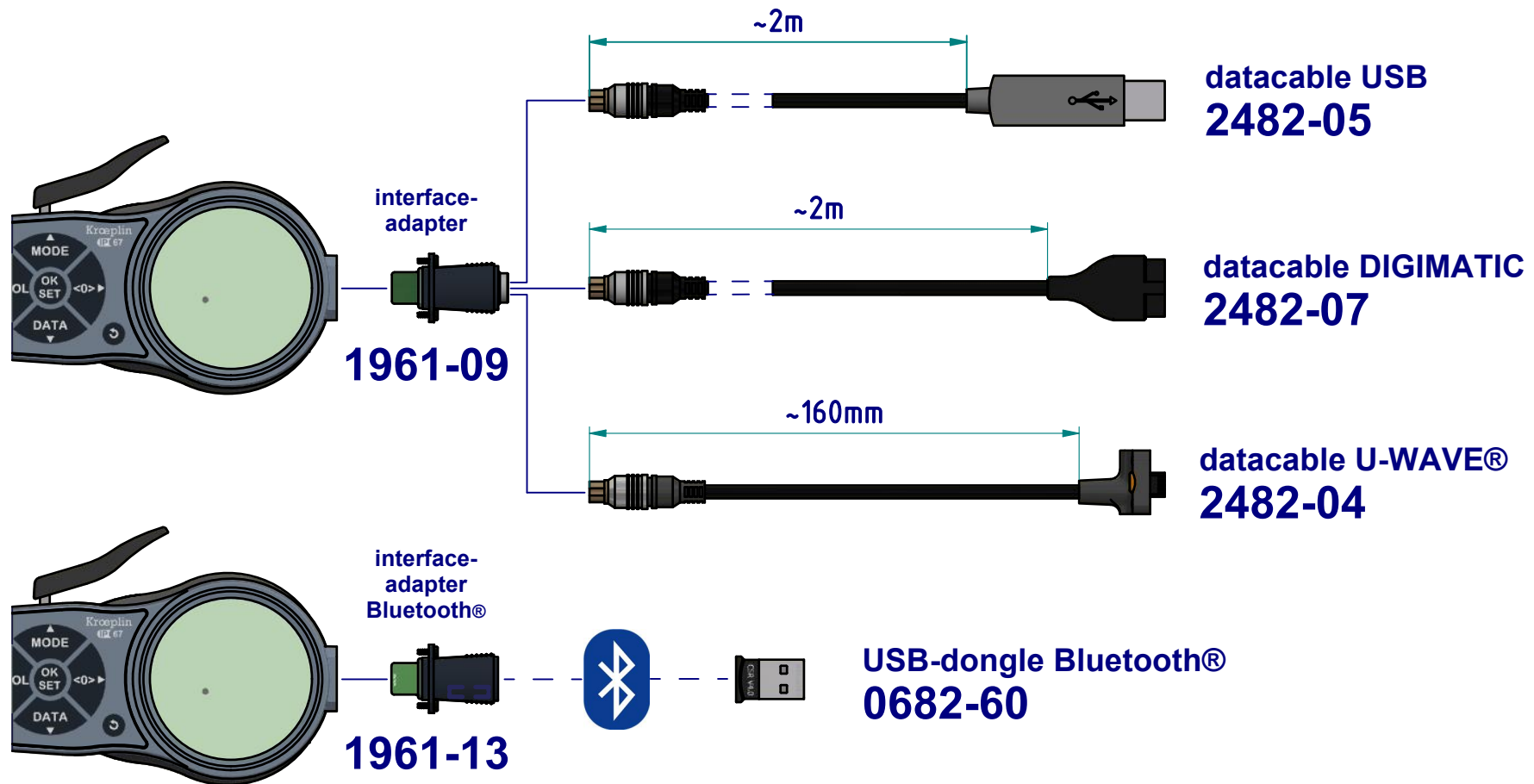
A = .079 L = 3.26



subject to technical alterations

drawing-nr.:	DAB-L270-K-i
date of issue:	07.05.2020
name:	B. Schmidt
revision status:	001
revision date:	23.09.2020

interface as accessories available:



subject to technical alterations

drawing-nr.:	DAB-L270-K-i
date of issue:	07.05.2020
name:	B. Schmidt
revision status:	001
revision date:	23.09.2020