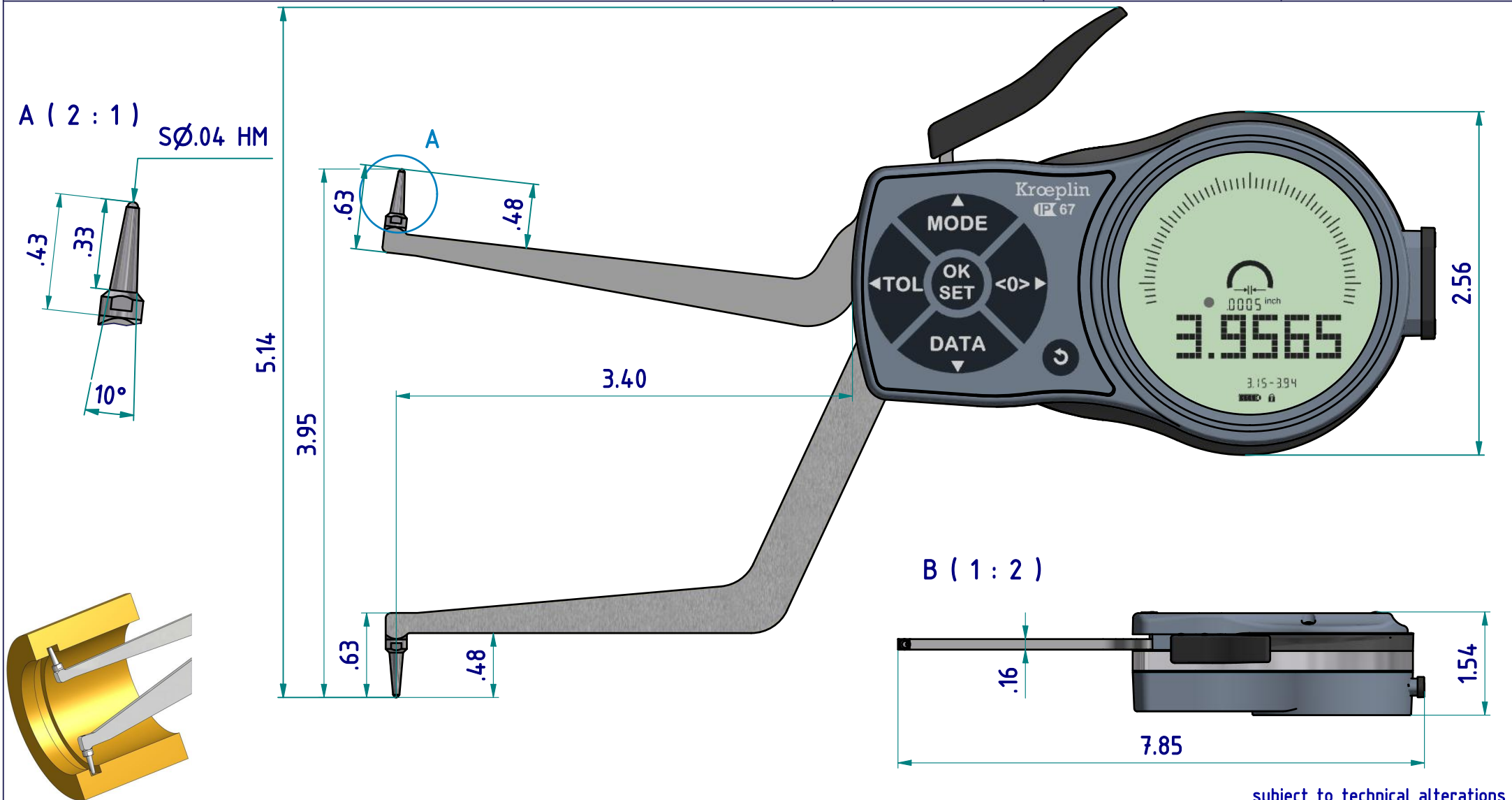


data sheet: L280

Kroepelin GmbH
Gartenstraße 50
D-36381 Schlüchtern

Tel.: 06661 86 0
Fax: 06661 86 39
Mail: sales@kroepelin.com
Web: www.kroepelin.com

Kroepelin
Längenmesstechnik



subject to technical alterations

type: L
range: 3.15 - 3.94 INCH
range of indication: 3.1300 - 3.9565 INCH
digital step: .0005 INCH
scale interval: -
measuring force: 1,1 - 1,6 N
weight: 290 g

acceptable deviations
 VDI/VDE/DGQ 2618 Bl. 12.1/13.1)
max. permissible errors "G": .0015 INCH
repeatability "r": .0005 INCH
reference temperature: 20° C
operation temperature: 10° C - 30° C
storage temperature: -10° C - 50° C

scale: 1:1
drawing-nr.: DAB-L280-K-i
date of issue: 07.05.2020
name: B. Schmidt
revision status: 001
revision date: 23.09.2020

measuring capacity

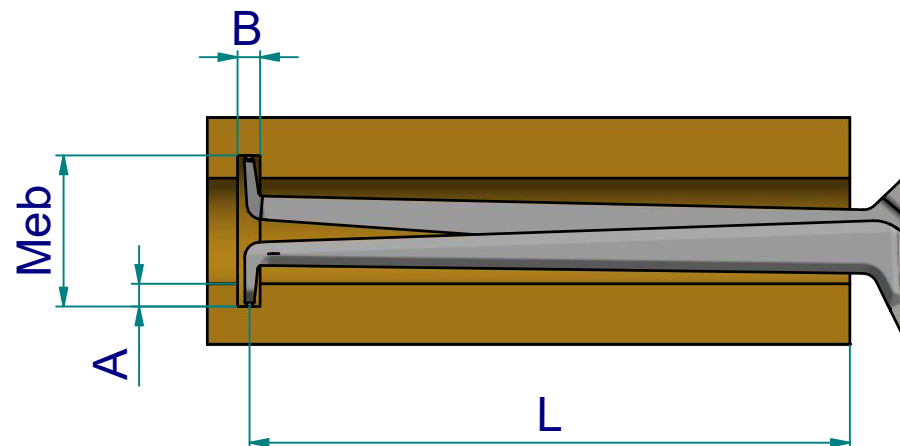
| | | measuring range Meb [INCH] | | | | | | | | | | |
|--------------------------|------|----------------------------|------------|------------|------------|------------|------------|------------|------------|------------|------------|------------|
| | | 3.15 | 3.23 | 3.31 | 3.39 | 3.46 | 3.54 | 3.62 | 3.70 | 3.78 | 3.86 | 3.94 |
| groove depth A [INCH] | 0 | 0 / 3.21 | 0 / 3.24 | 0 / 3.26 | 0 / 3.30 | 0 / 3.37 | 0 / 3.41 | 0 / 3.43 | 0 / 3.44 | 0 / 3.44 | 0 / 3.46 | 0 / 3.48 |
| | .039 | | .06 / 3.22 | .06 / 3.25 | .06 / 3.28 | .06 / 3.32 | .06 / 3.39 | .06 / 3.42 | .06 / 3.43 | .06 / 3.44 | .06 / 3.44 | .06 / 3.45 |
| | .079 | | | .07 / 3.23 | .07 / 3.26 | .07 / 3.29 | .07 / 3.35 | .07 / 3.41 | .07 / 3.42 | .07 / 3.43 | .07 / 3.43 | .07 / 3.44 |
| | .118 | | | | .07 / 3.24 | .07 / 3.27 | .07 / 3.31 | .07 / 3.37 | .07 / 3.41 | .07 / 3.42 | .07 / 3.43 | .07 / 3.43 |
| | .157 | | | | | .08 / 3.25 | .08 / 3.28 | .08 / 3.33 | .08 / 3.39 | .08 / 3.41 | .08 / 3.42 | .08 / 3.42 |
| | .197 | | | | | | .09 / 3.26 | .09 / 3.29 | .09 / 3.35 | .09 / 3.40 | .09 / 3.41 | .09 / 3.41 |
| | .236 | | | | | | | .09 / 3.26 | .09 / 3.31 | .09 / 3.37 | .09 / 3.40 | .09 / 3.41 |
| | .276 | | | | | | | | .10 / 3.27 | .10 / 3.32 | .10 / 3.38 | .10 / 3.40 |
| | .315 | | | | | | | | | .11 / 3.28 | .11 / 3.35 | .11 / 3.39 |
| | | B / L | | | | | | | | | | |

B = minimum groove width [INCH]

L = maximum usable arm length [INCH]

Example: Meb = 3.39 B = .07

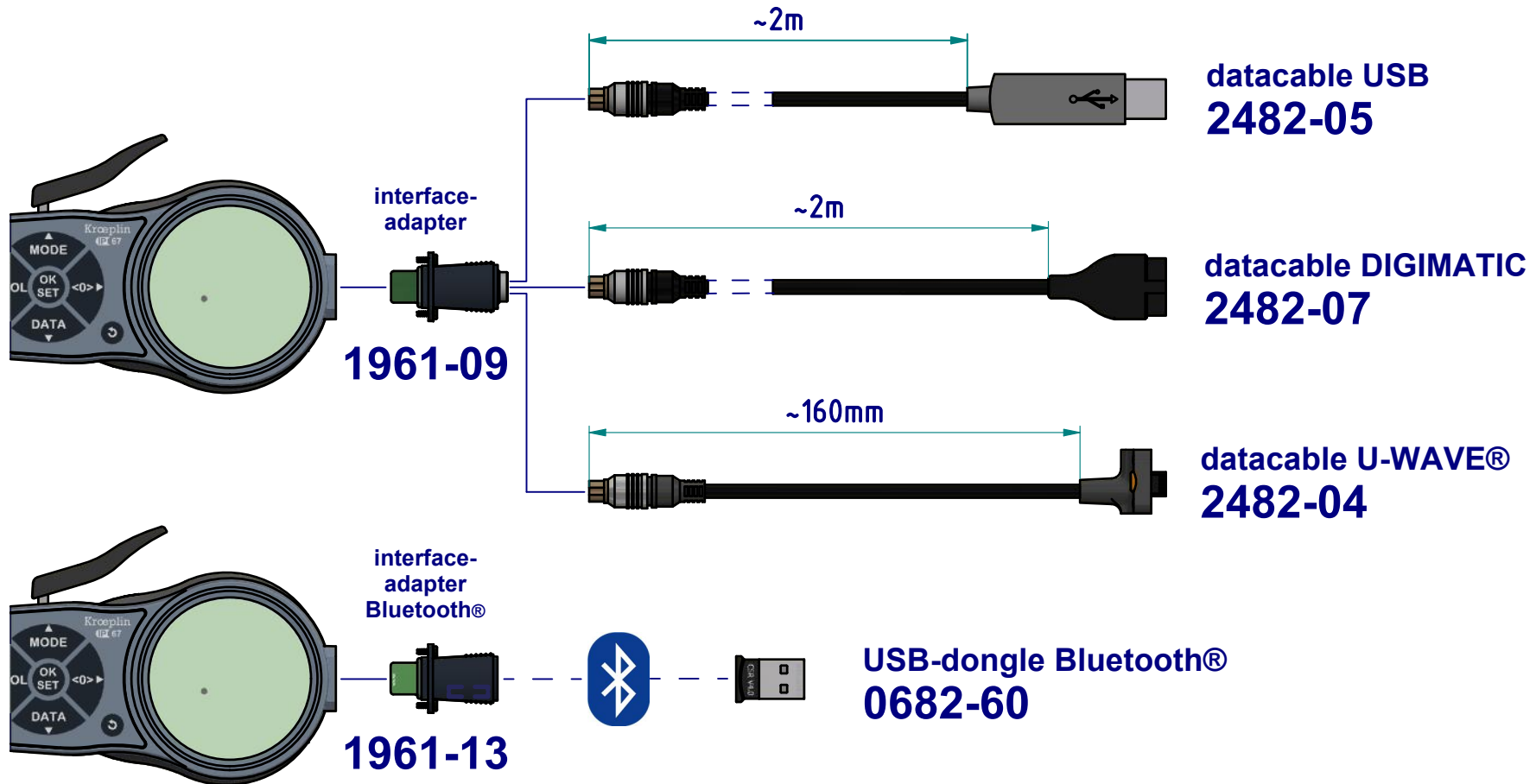
A = .079 L = 3.26



subject to technical alterations

| | |
|------------------|--------------|
| drawing-nr.: | DAB-L280-K-i |
| date of issue: | 07.05.2020 |
| name: | B. Schmidt |
| revision status: | 001 |
| revision date: | 23.09.2020 |

interface as accessories available:



subject to technical alterations

| | |
|------------------|--------------|
| drawing-nr.: | DAB-L280-K-i |
| date of issue: | 07.05.2020 |
| name: | B. Schmidt |
| revision status: | 001 |
| revision date: | 23.09.2020 |