

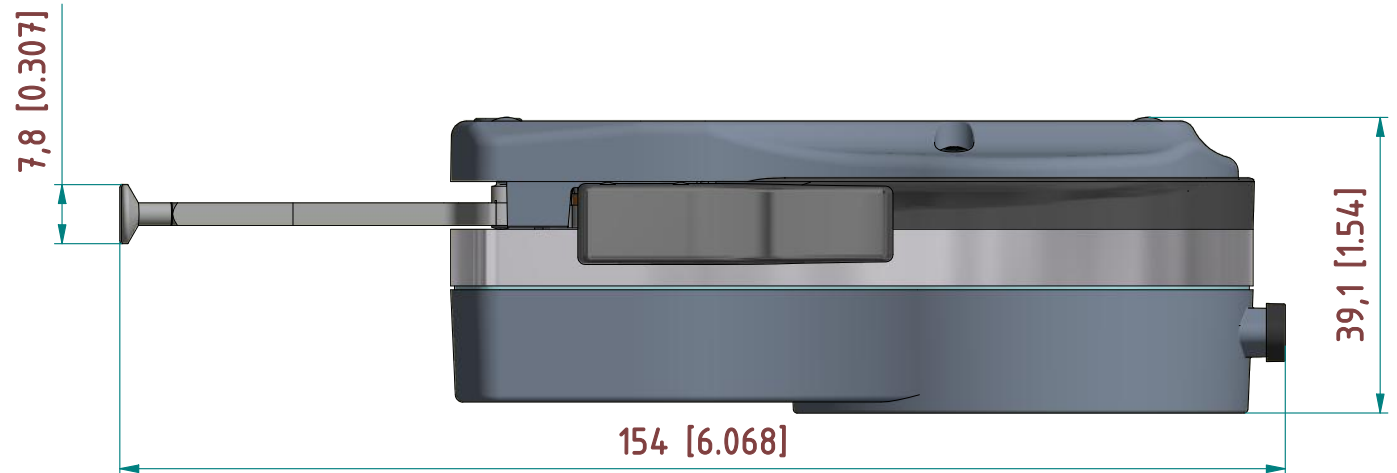
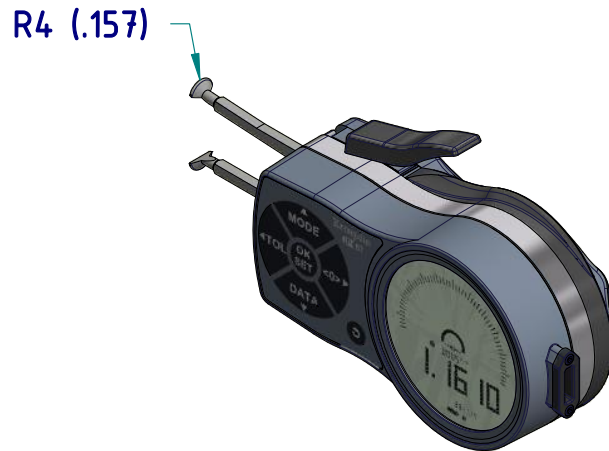
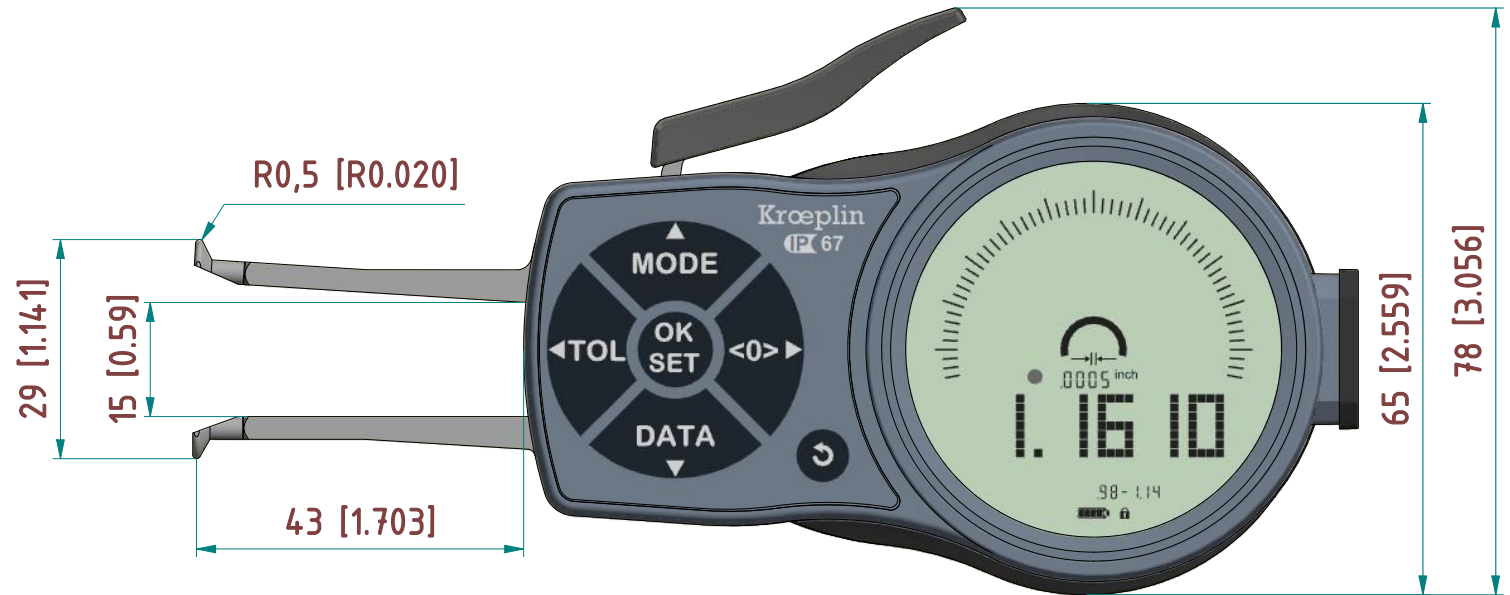
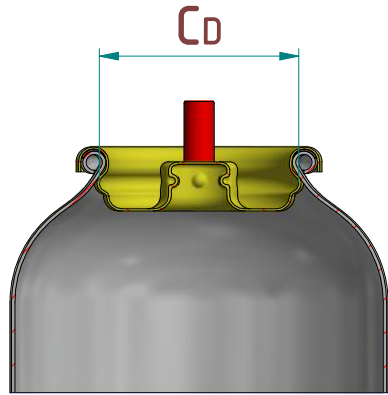
data sheet: AEL2100

measurement of the
clinch - $\varnothing C_D$

Kroepelin GmbH
Gartenstraße 50
D-36381 Schlüchtern

Tel.: 06661 86 0
Fax: 06661 86 39
Mail: sales@kroepelin.com
Web: www.kroepelin.com

Kroepelin
Längenmesstechnik



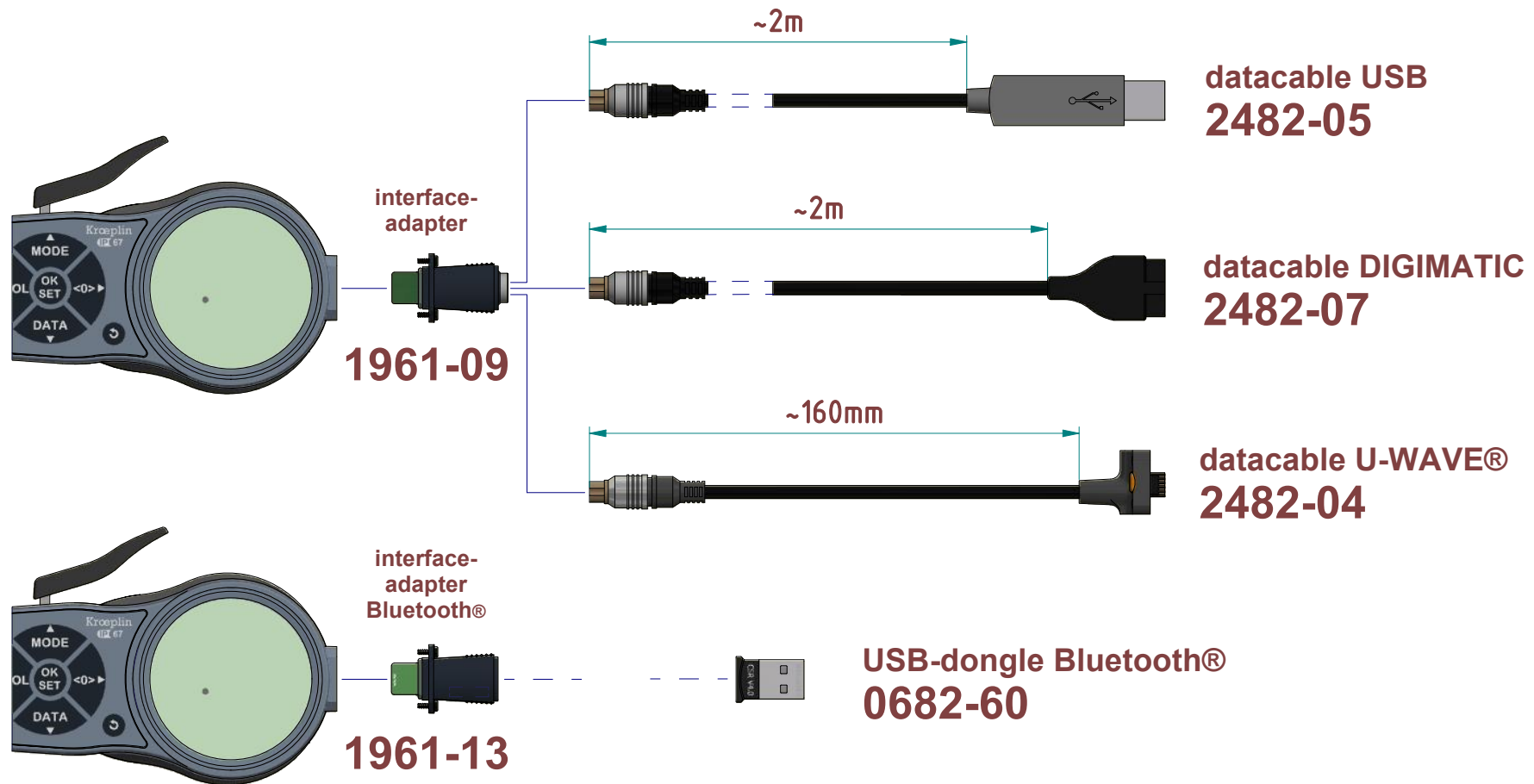
subject to technical alterations

type: Aerosol
range: .98 - 1.14 INCH
range of indication: .96 - 1.16 INCH
digital step: .0005 INCH
scale interval: -
measuring force: 1,9 - 2,2 N
weight: 250 g

acceptable deviations
VDI/VDE/DGQ 2618 Bl. 12.1/13.1)
max. permissible
errors "G": .0010 INCH
repeatability "r": .0005 INCH
reference temperature: 20° C
operation temperature: 10° C - 30° C
storage temperature: -10° C - 50° C

scale: 1:1
drawing-nr.: IDW-AEL2100-DB_I_e
date of issue: 19.03.2021
name: J.Röder
revision status:
revision date:

interface as accessories available:



subject to technical alterations

drawing-nr.: IDW-AEL2100-DB_I_e
date of issue: 19.03.2021
name: J.Röder

revision status:
revision date: