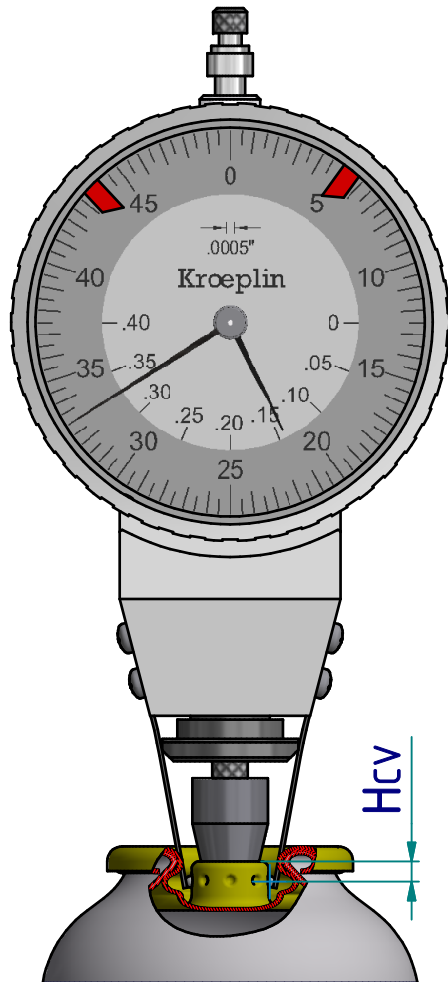


measurement

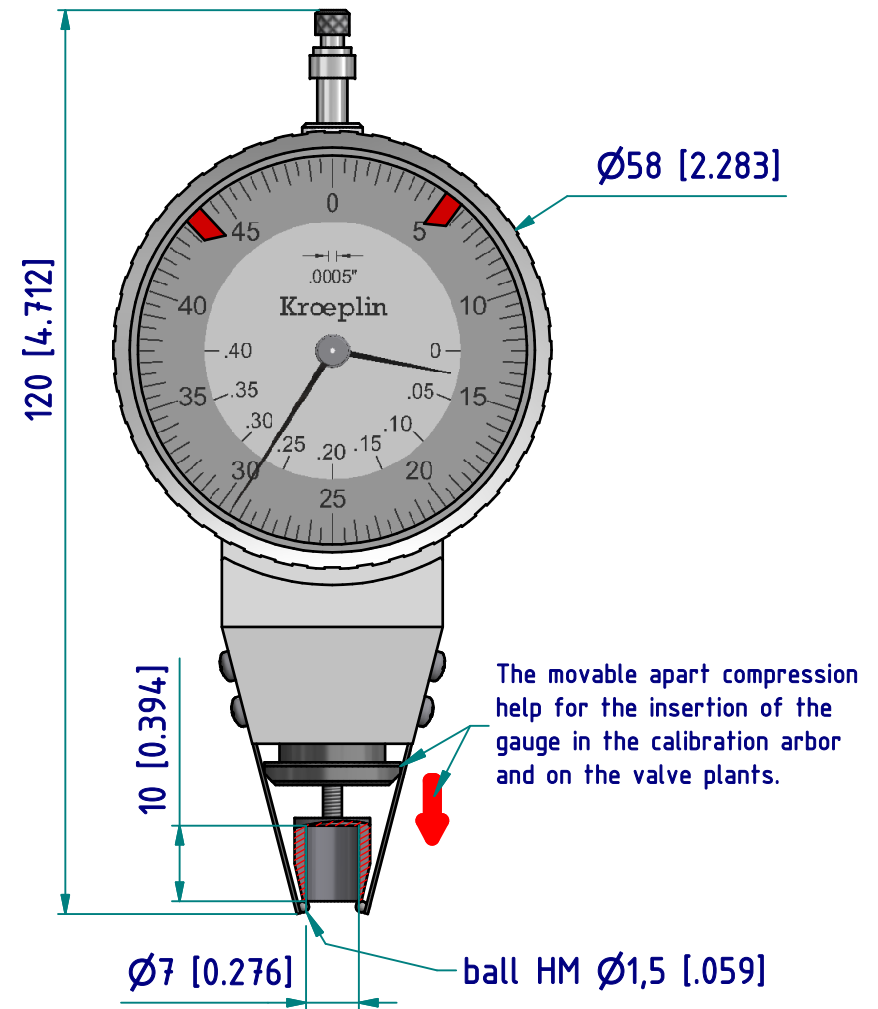


calibration



calibration arbor
(included in delivery)

as-delivered condition



type: aerosol
range: .100 - .300 INCH
range of indication:
digital step:
scale interval: .0005 INCH
measuring force: 0,7 - 1,3 N
weight: ca. 200 g

acceptable deviations
VDI/VDE/DGQ 2618 Bl. 12.1/13.1)
max. permissible
errors "G": .0010 INCH
repeatability "r": .0005 INCH
reference temperature: 20° C
operation temperature: 10° C - 30° C
storage temperature: -10° C - 50° C

scale: 1:1
drawing-nr.: IDW-A1180I-DB_e
date of issue: 25.11.2010
name: J.Heuser
revision status: 2123 / MHe
revision date: 18.09.2015