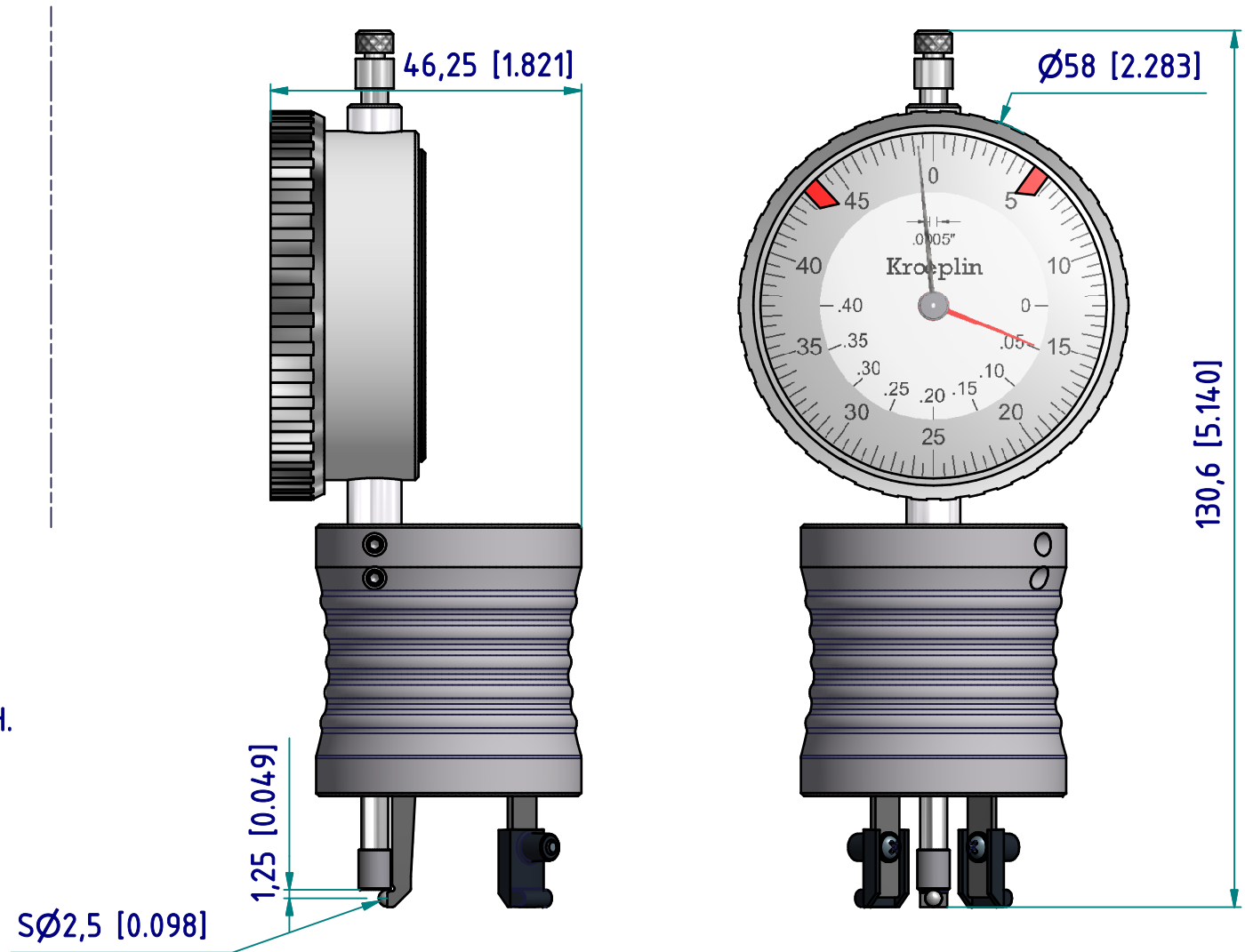


alternative calibration with
adjust ring
(not included in delivery)

Order-No.: 0641-32



The calibration can be carried out
without adjust gauge. Adjustment
of the dial gauge of ball radius .049 INCH.



subject to technical alterations

type: Aerosol
range: .181 - .213 INCH
range of indication: .049 - .400 INCH
digital step:
scale interval: .0005 INCH
measuring force: 0,7 - 1,3 N
weight: 230 g

acceptable deviations
VDI/VDE/DGQ 2618 Bl. 12.1/13.1)
max. permissible
errors "G": .001 INCH
repeatability "r": .001 INCH
reference temperature: 20° C
operation temperature: 10° C - 30° C
storage temperature: -10° C - 50° C

scale: 1:1
drawing-nr.: IDW-A2105I-DB_e
date of issue: 03.12.2010
name: J.Heuser

revision status: 2123
revision date: 22.09.2015 / JL

4

3

2

1

A2105

calibration with adjust gauge

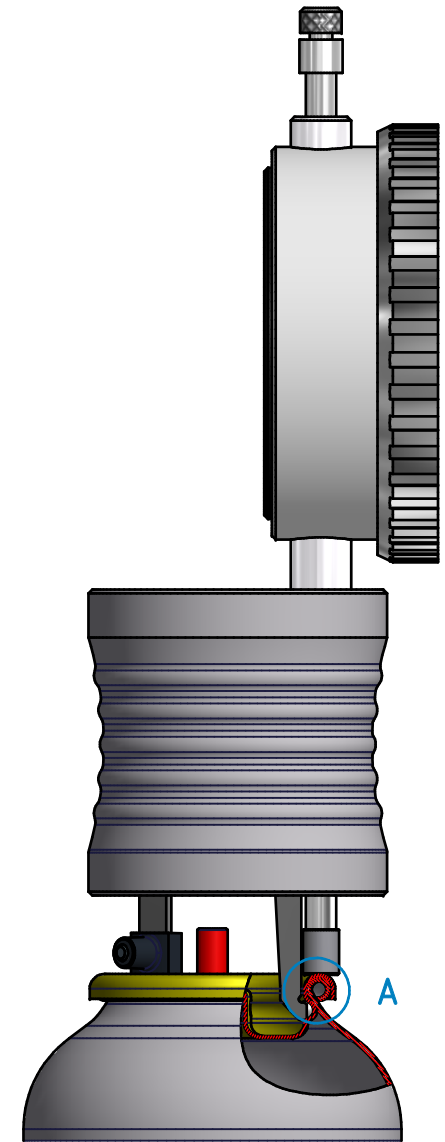
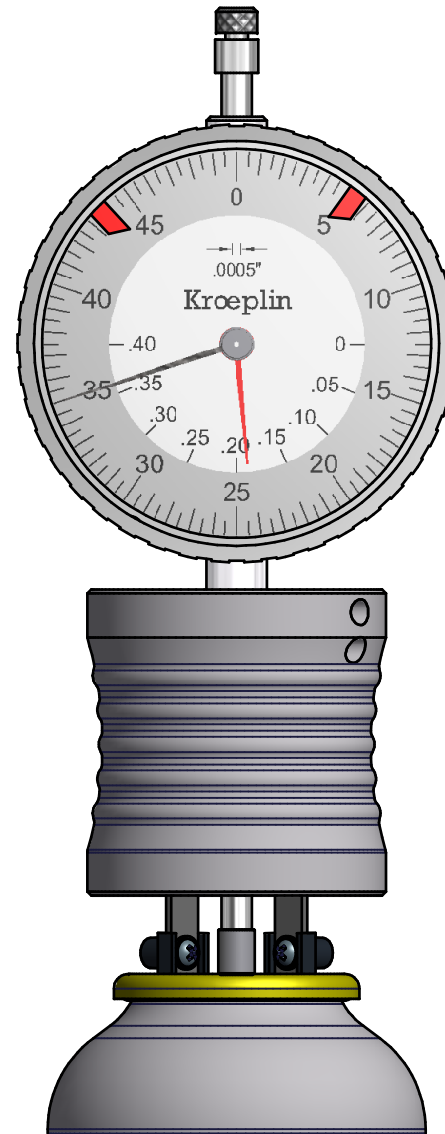
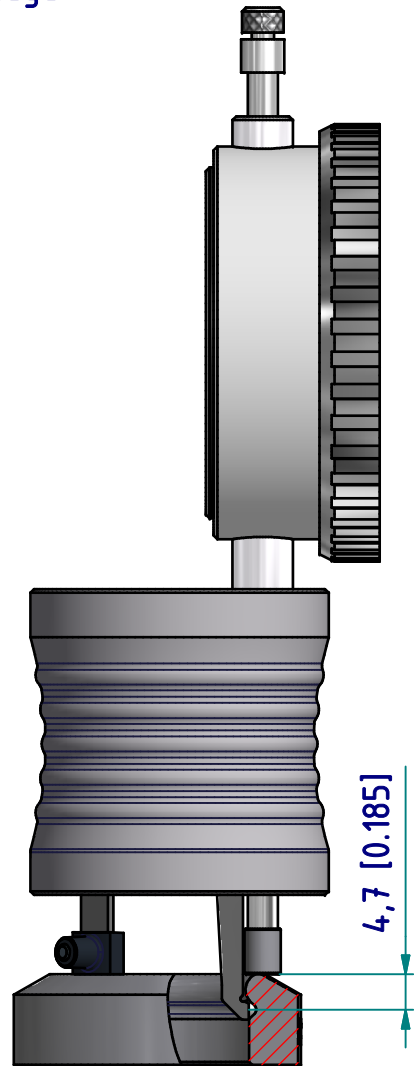
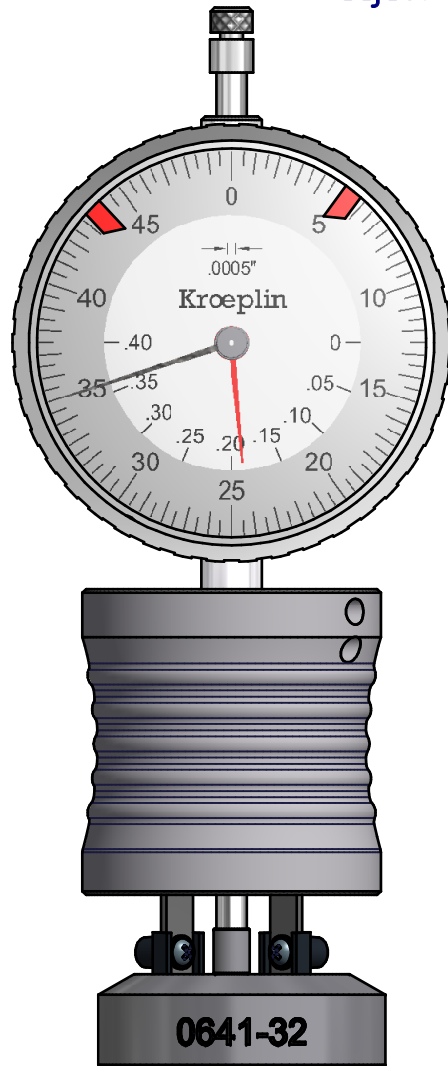
measurement

D

C

B

A



A (2 : 1)

