

data sheet: AE2105

measurement of the Clinchhight CH
FEA 222 D

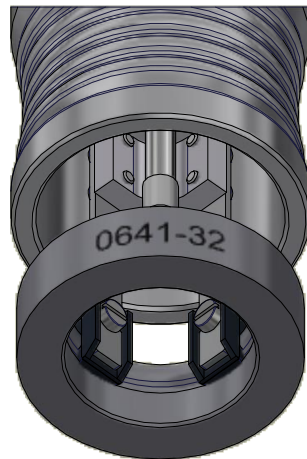
Kroepelin GmbH
Gartenstraße 50
D-36381 Schlüchtern

Tel.: 06661 86 0
Fax: 06661 86 39
Mail: sales@kroepelin.com
Web: www.kroepelin.com

Kroepelin
Längenmesstechnik

alternative calibration with
adjust ring
(not included in delivery)

order number: 0641-32



$\text{S}\varnothing 2,5 [0.098]$

The calibration can be carried out without the adjust gauge.
Adjustment of the dial gauge to ball radius .049 INCH

subject to technical alterations

type: aerosol
range: .181 - .213 INCH
range of indication: .049 - .400 INCH
digital step: .0005 INCH
scale interval:
measuring force: 0,7 - 1,3 N
weight: ca. 280 g

acceptable deviations
VDI/VDE/DGQ 2618 Bl. 12.1/13.1)
max. permissible errors "G": .0010 INCH
repeatability "r": .0010 INCH
reference temperature: 20° C
operation temperature: 10° C - 30° C
storage temperature: -10° C - 50° C

scale: 1:1
drawing-nr.: IDW-AE2105-DB_i_e
date of issue: 25.11.2010
name: J.Heuser

revision status: 2315 (BSc)
revision date: 15.05.2024