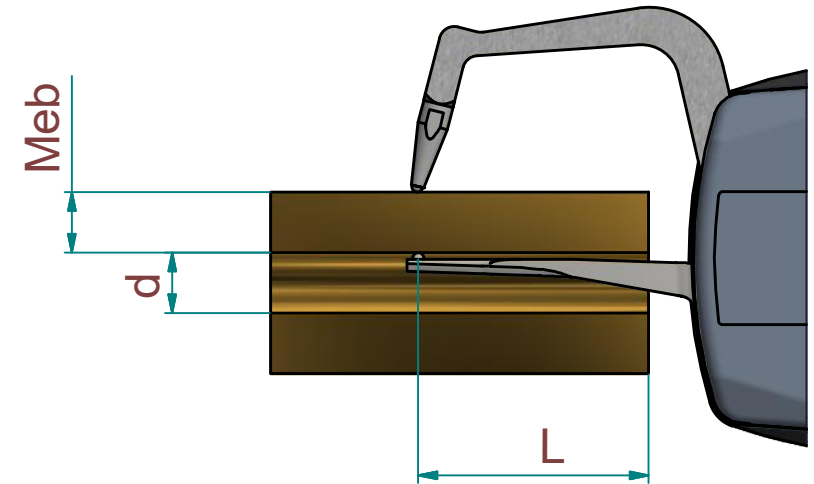


subject to technical alterations

type: C
range: 0 - .59 INCH
range of indication: 0 - .6102 INCH
digital step: .0001 INCH
scale interval: -
measuring force: 1,3 - 1,5 N
weight: 165 g

acceptable deviations
VDI/VDE/DGQ 2618 Bl. 12.1/13.1)
max. permissible errors "G": .0004 INCH
repeatability "r": .0002 INCH
reference temperature: 20° C
operation temperature: 10° C - 30° C
storage temperature: -10° C - 50° C

scale: 1 : 1
drawing-nr.: DAB-C0R15-KR-I
date of issue: 15.06.2018
name: J. Stock
revision status:
revision date:



measuring capacity

		measuring range Meb [INCH]							
		.039	.118	.197	.276	.354	.433	.512	.591
Internal diameter d [INCH]	.157	.39	.35	.39	.46	.60	.39	.12	.06
	.197	.91	.87	.90	.94	1.0	1.06	.47	.30
	.236	1.08	1.05	1.07	1.11	1.16	1.22	.72	.41
	.276	1.21	1.18	1.20	1.25	1.31	1.37	.83	.48
	.315	1.34	1.31	1.33	1.39	1.44	1.52	.91	.53
	.354	1.47	1.43	1.46	1.52	1.59	1.67	.98	.58
	.394	1.60	1.56	1.59	1.65	1.72	1.81	1.06	.61
	L								

L = max. usable arm length [INCH]

Example:
d = .197 Meb = .276 L = .94

subject to technical alterations

drawing-nr.: DAB-C0R15-KR-I
date of issue: 15.06.2018
name: J. Stock

revision status:
revision date: