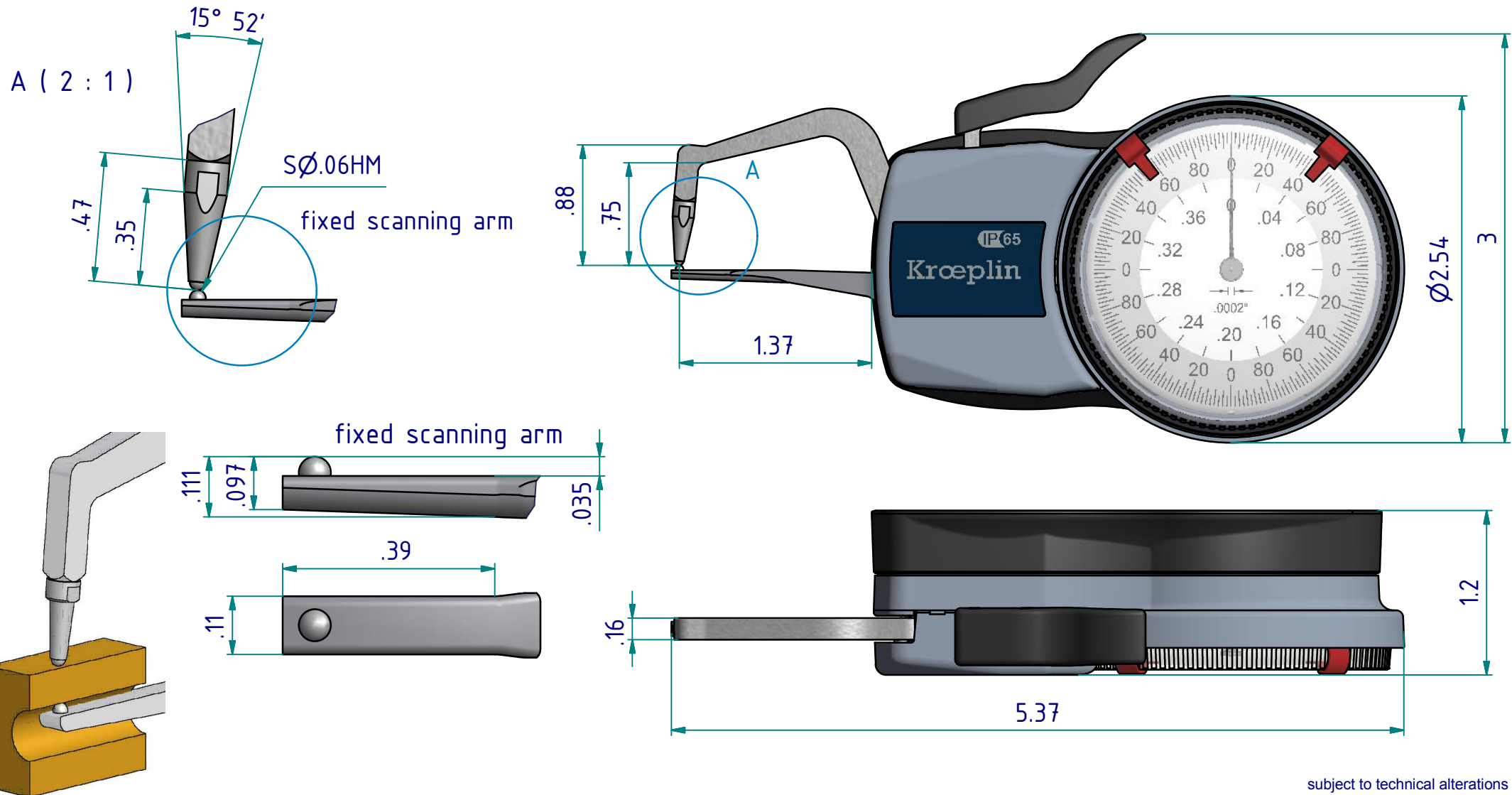


data sheet: D6R10

Kroepelin GmbH
Gartenstraße 50
D-36381 Schlüchtern

Tel.: 06661 86 0
Fax: 06661 86 39
Mail: sales@kroepelin.com
Web: www.kroepelin.com

Kroepelin
Längenmesstechnik

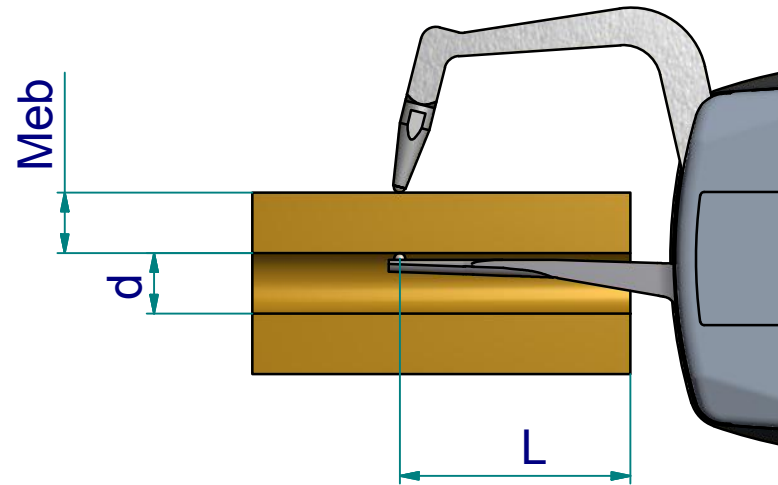


subject to technical alterations

type: D
range: 0 - .40 INCH
range of indication: 0 - .41 INCH
digital step: -
scale interval: .0002 INCH
measuring force: 1,2 -1,6 N
weight: 165 g

acceptable deviations
VDI/VDE/DGQ 2618 Bl. 12.1/13.1)
max. permissible errors "G": .0008 INCH
repeatability "r": .0002 INCH
reference temperature: 20° C
operation temperature: 10° C - 30° C
storage temperature: -10° C - 50° C

scale: 1:1
drawing-nr.: DAB-D6R10_KR_I
date of issue: 12.01.09
name: T.Koenig
revision status: 2000
revision date: 04.09.2012



measuring capacity

Internal diameter d [INCH]	measuring range Meb [INCH]									
	.04	.08	.12	.16	.20	.24	.28	.31	.35	.39
.12	.16	.14	.14	.15	.17	.19	.21	.25	.31	.42
.16	.75	.67	.67	.70	.76	.82	.85	.89	.93	.98
.20	.97	.94	.94	.95	.98	1.01	1.06	1.10	1.15	1.22
.24	1.16	1.12	1.12	1.14	1.17	1.21	1.26	1.31	1.38	1.40
.28	1.35	1.30	1.30	1.32	1.36	1.40	1.40	1.40	1.40	1.40
.31	1.40	1.40	1.40	1.40	1.40	1.40	1.40	1.40	1.40	1.40
.35	1.40	1.40	1.40	1.40	1.40	1.40	1.40	1.40	1.40	1.40
> .39	1.40	1.40	1.40	1.40	1.40	1.40	1.40	1.40	1.40	1.40
	L									

L = maximum usable arm length [INCH]

Example:
 d = .16 Meb = .20 L = .76

subject to technical alterations

drawing-nr.: DAB-D6R10_KR_I
 date of issue: 12.01.09
 name: T.Koenig

revision status:
 revision date: