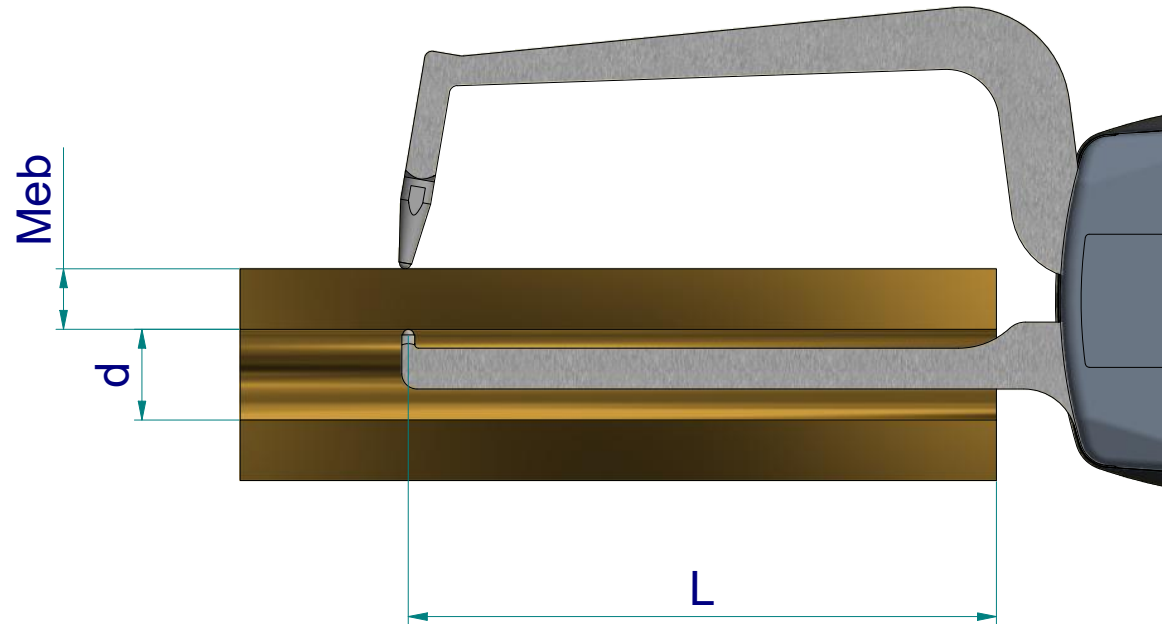


subject to technical alterations

type: K
range: 0 - 1.18 INCH
range of indication: 0 - 1.22 INCH
digital step: .0005 INCH
scale interval: -
measuring force: 0,9 - 1,6 N
weight: 410 g

acceptable deviations
VDI/VDE/DGQ 2618 Bl. 12.1/13.1)
max. permissible errors "G": .0015 INCH
repeatability "r": .001 INCH
reference temperature: 20° C
operation temperature: 10° C - 30° C
storage temperature: -10° C - 50° C

scale: 1:2
drawing-nr.: DAB-K3R30-K-i
date of issue: 17.03.2021
name: B. Schmidt
revision status:
revision date:



measuring capacity

internal diameter
 d [INCH]

		measuring range Meb [INCH]									
		0,02	0,08	0,16	0,24	0,32	0,39	0,47	0,59	0,71	0,79
0,39		0,20	0,12	0,08	0,04	0,06	0,08	0,10	0,12	0,14	0,16
0,43		3,42	1,19	0,98	0,92	0,93	0,98	1,07	1,29	1,68	2,13
0,47		4,86	2,57	1,92	1,80	1,83	1,93	2,11	2,57	3,28	4,16
0,51		4,86	3,76	2,86	2,69	2,72	2,88	3,13	3,76	4,60	4,59
0,55		4,86	5,00	3,80	3,57	3,62	3,82	4,17	4,62	4,61	4,59
>0,59		4,86	5,01	4,70	4,41	4,47	4,71	4,67	4,62	4,60	4,59
	L										

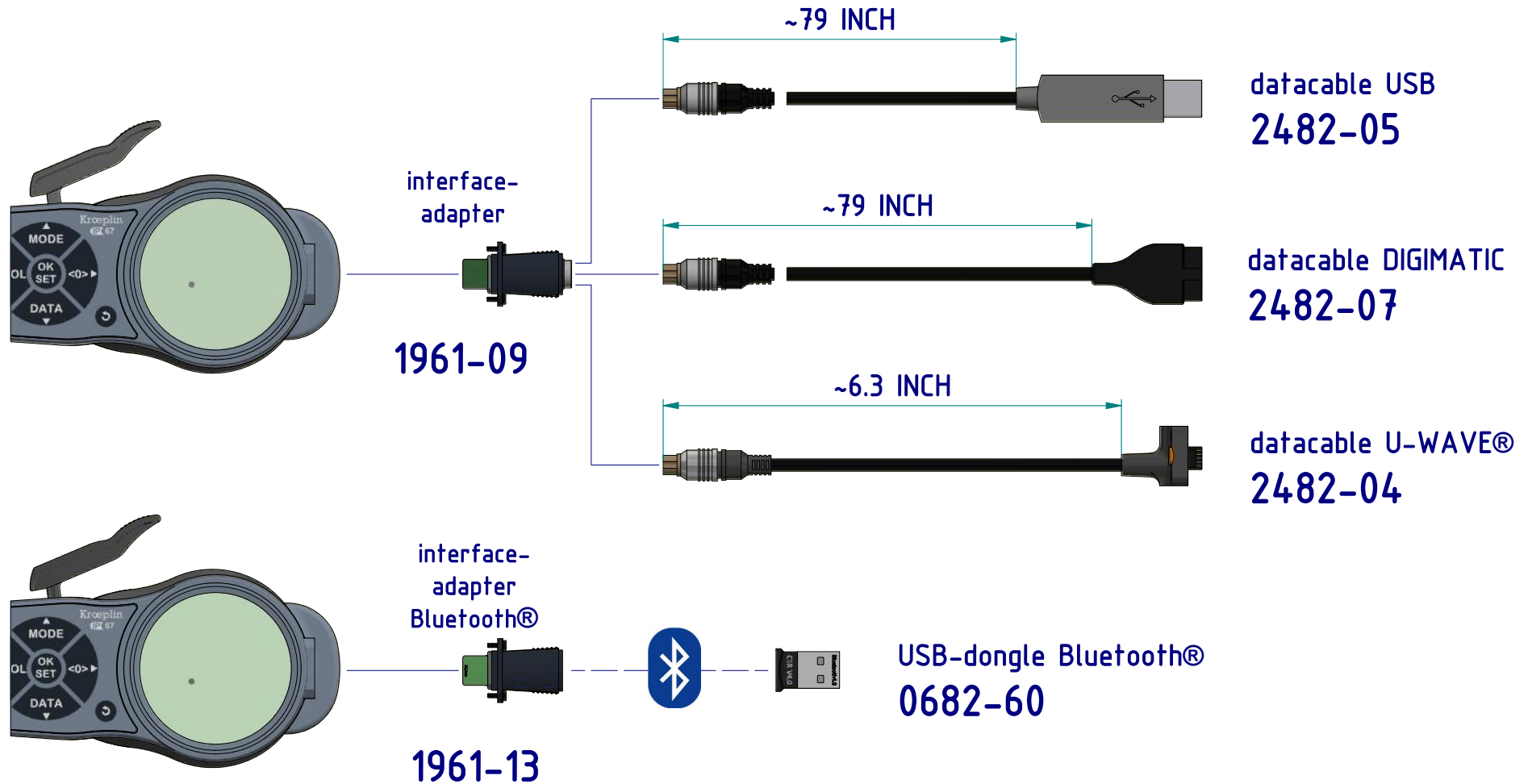
L = maximum usable arm length [INCH]

Example:
 d = 0,43 Meb = 0,16 L = 0,98

subject to technical alterations

drawing-nr.: DAB-K3R30-K-i
 date of issue: 17.03.2021
 name: B. Schmidt
 revision status:
 revision date:

interface as accessories available:



subject to technical alterations

drawing-nr.:	DAB-K3R30-K-i
date of issue:	17.03.2021
name:	B. Schmidt
revision status:	
revision date:	