

data sheet: A1218

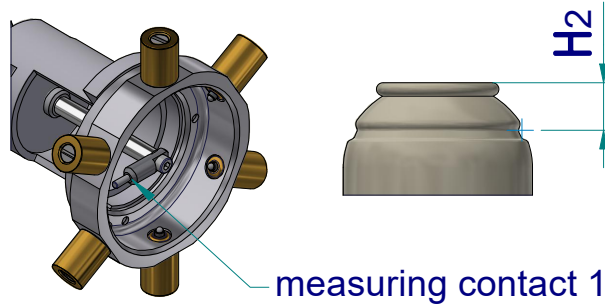
Kroepin GmbH
Gartenstraße 50
D-36381 Schlüchtern

Tel.: 06661 86 0
Fax: 06661 86 39
Mail: sales@kroepin.com
Web: www.kroepin.com

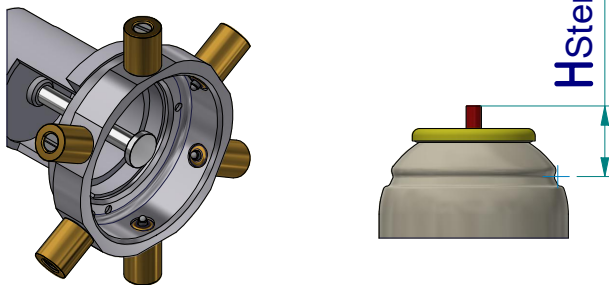
Kroepin
Längenmesstechnik

Both applications can be measured by changing the measuring contacts.

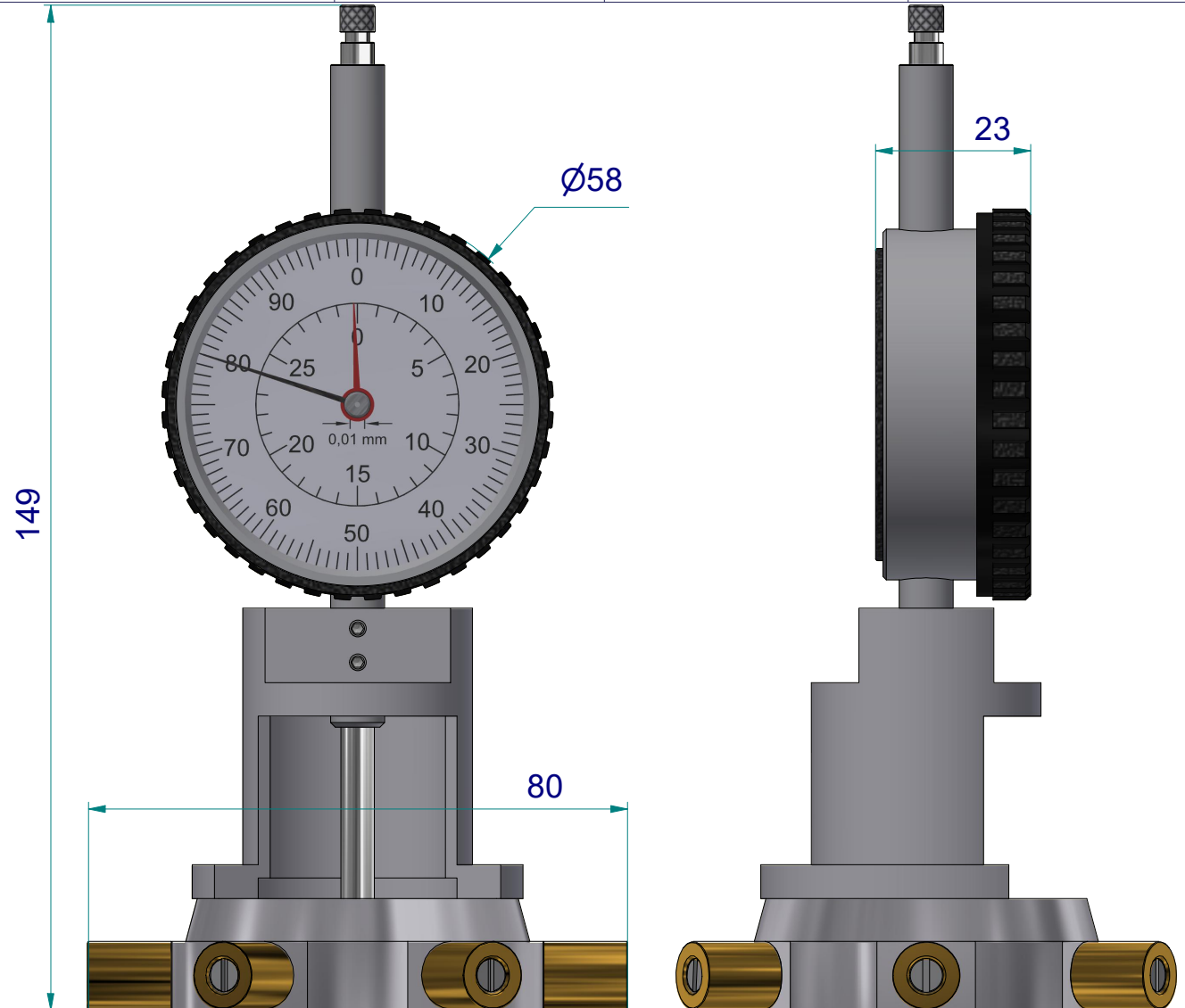
Measurement of H₂



Measurement of H_{stem}



subject to technical alterations



type: Aerosol
range: 0-30 mm
range of indication:
digital step:
scale interval: 0,01 mm
measuring force: 0,7 - 1,3 N
weight: ca. 380g

acceptable deviations
VDI/VDE/DGQ 2618 Bl. 12.1/13.1)
max. permissible errors "G": 0,03 mm
repeatability "r": 0,02 mm
reference temperature: 20° C
operation temperature: 10° C - 30° C
storage temperature: -10° C - 50° C

scale: 1:1 (1:2)
drawing-nr.: IDW-A1218-DB_e
date of issue: 23.11.10
name: M.Heil

revision status: 2325/ AP
revision date: 17.09.2024

4

3

2

1

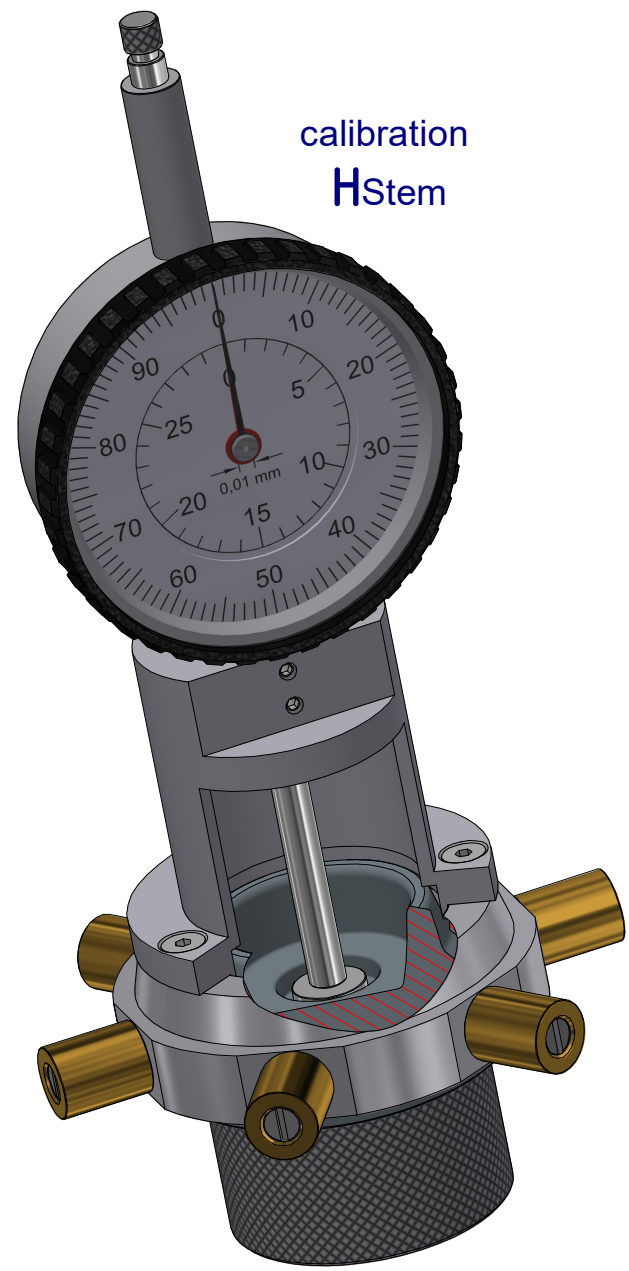
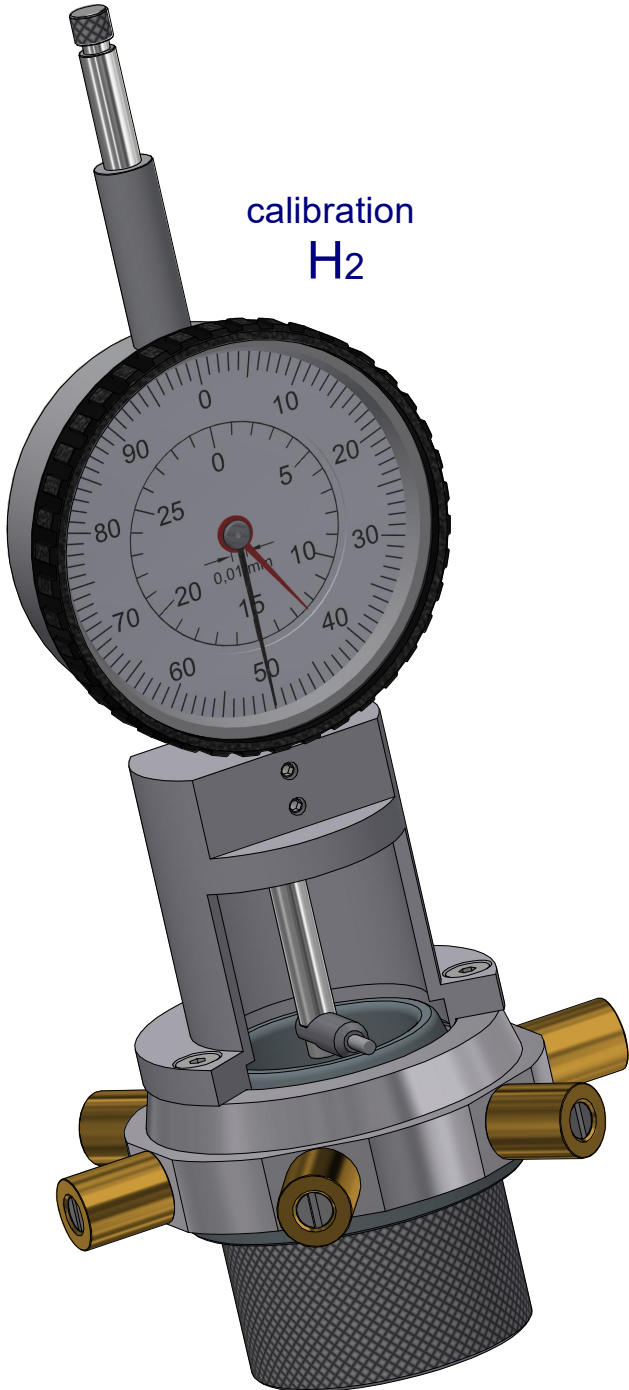
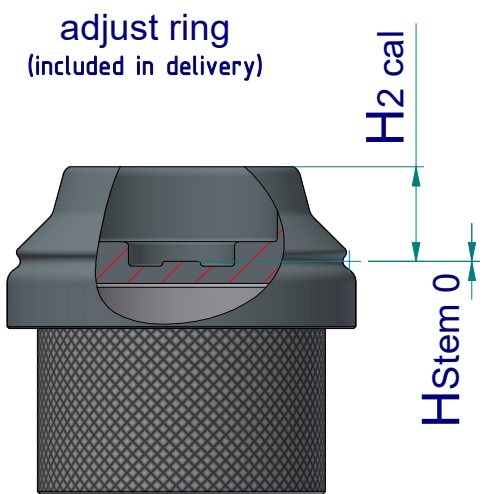
A1218

D

C

B

A



4

3

2

1

A1218

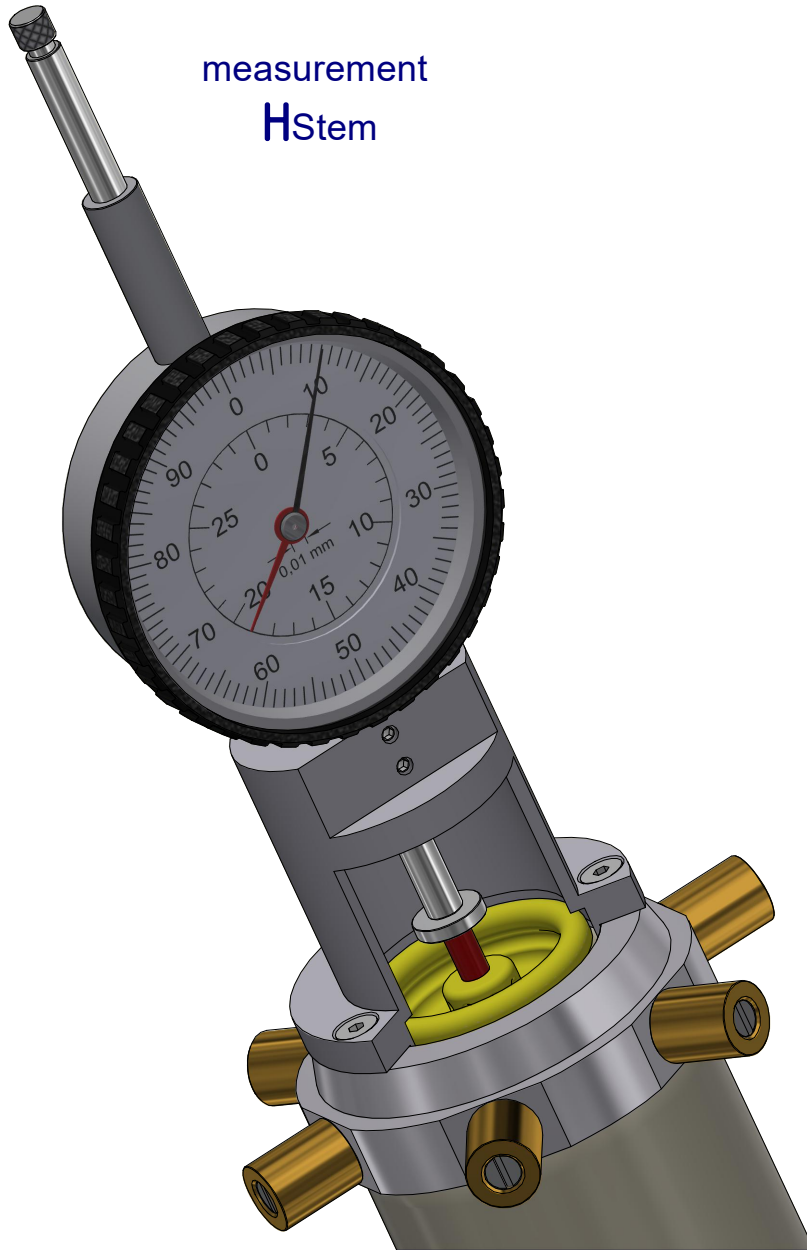
D

measurement
H_{Stem}

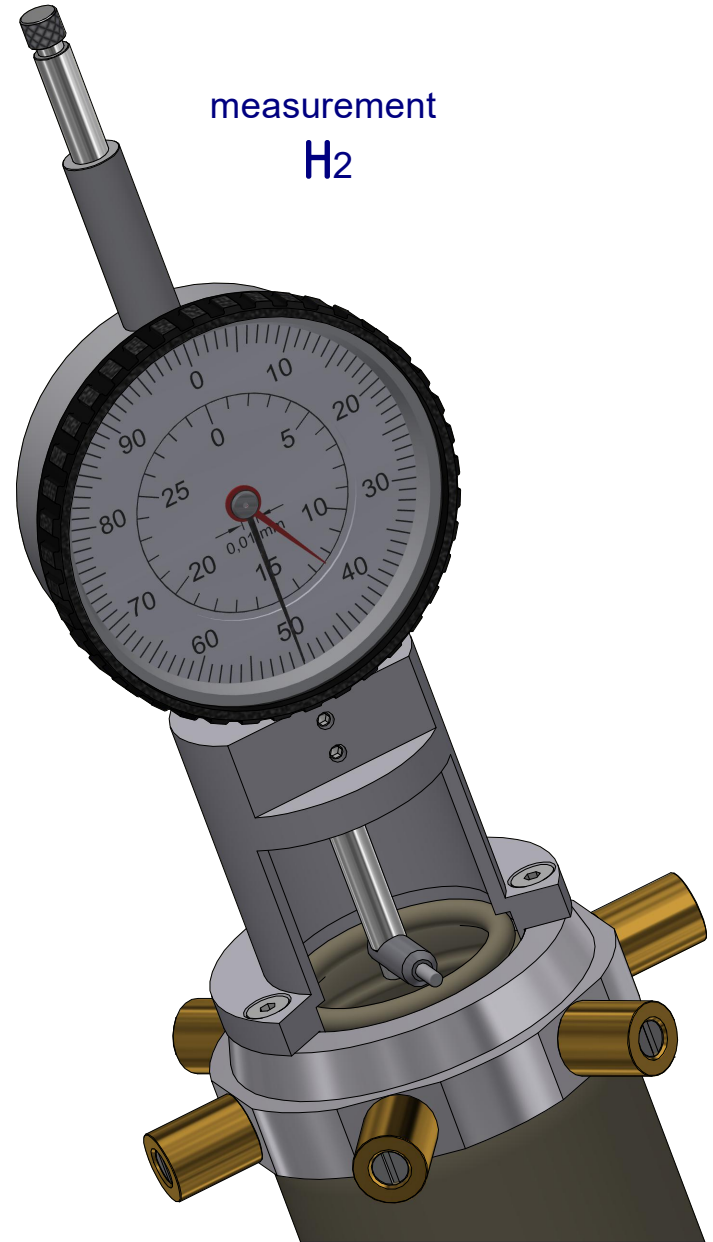
C

B

A



measurement
H₂

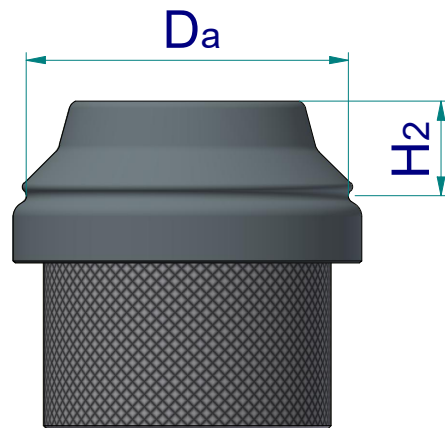


A1218

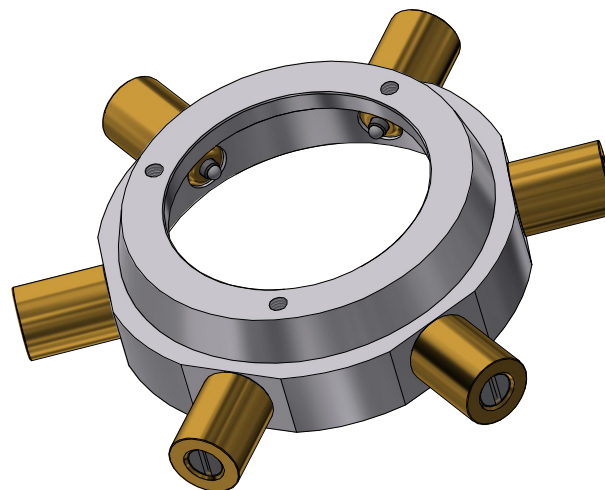
The instruments are differentiated through the different dimensions of the adjust ring (1) and of the basis ring (2).

chart of types

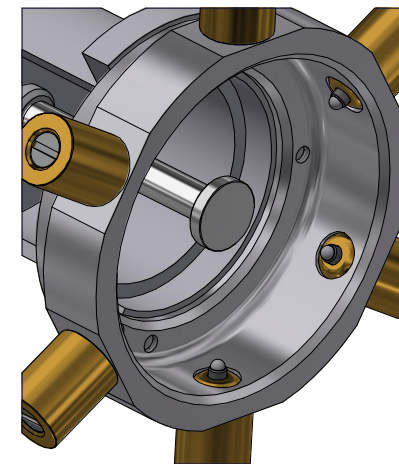
instrument order-No.	acceptance - diameter D_a	height H_2	(1) adjustment ring order-No.	(2) basisring order-No.	(3) HStem measuring contact	extension 0820-43
A1216	46,3 mm	12,5 mm	0840-80	0840-30	0251-12	-
A1217	49,3 mm	16,5 mm	0840-81	0840-31	0251-12	-
A1218	42,6 mm	12,5 mm	0840-82	0840-32	0251-12	-
A1219	42,6 mm	8,5 mm	0840-83	0840-32	0251-12	-
A1222	42,6 mm	16,0 mm	0840-84	0840-34	0701-78	-
A1223	50,5 mm	17,4 mm	0840-85	0840-35	0701-78	-
A1224	45,65 mm	20,5 mm	0840-86	0840-36	0251-12	ja
A1225	40,8 mm	16,0 mm	0840-87	0840-37	0251-12	-
A1226	42,4 mm	9,0 mm	0840-93	0840-32	0701-78	-
A1228	49,8 mm	12,5 mm	0840-95	0840-31	0701-78	-



(1) adjust ring



(2) basis ring



(3) measuring contact