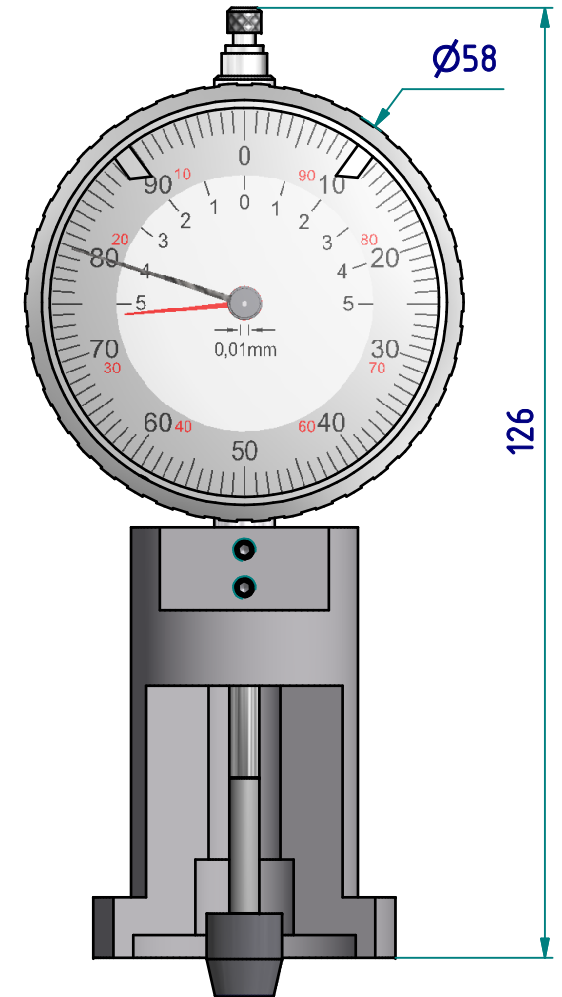
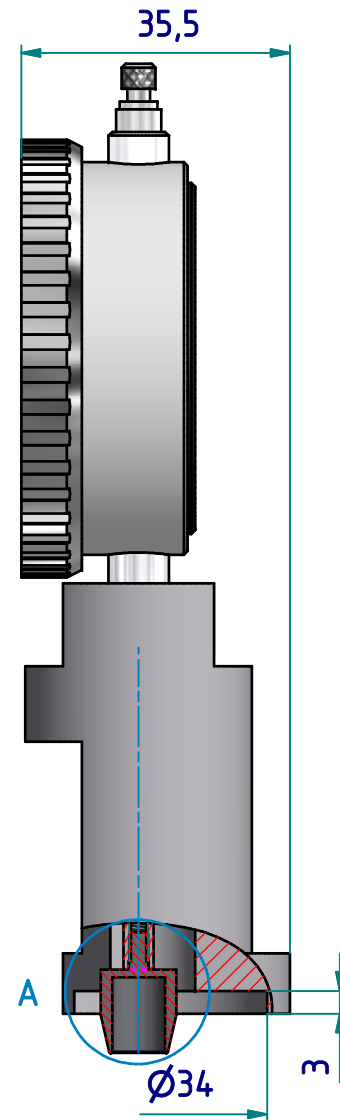
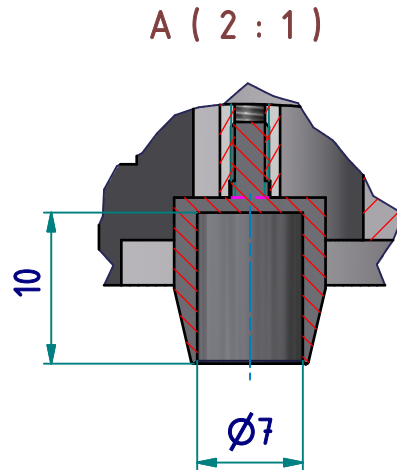




valve support as
DIN EN 14848

the measurement can be in
progress at the valve support
and on the complete can.



subject to technical alterations

type: aerosol
range: +/-5mm
range of indication:
digital step:
scale interval: 0,01 mm
measuring force: 0,7 - 1,3 N
weight: ca. 280 g

acceptable deviations
VDI/VDE/DGQ 2618 Bl. 12.1/13.1)
max. permissible
errors "G": 0,02 mm
repeatability "r": 0,01 mm
reference temperature: 20° C
operation temperature: 10° C - 30° C
storage temperature: -10° C - 50° C

scale: 1:1
drawing-nr.: IDW-A1220-DB_e
date of issue: 23.11.10
name: J.Heuser
revision status: 2123 / MHe
revision date: 21.09.2015

4

3

2

1

A1220

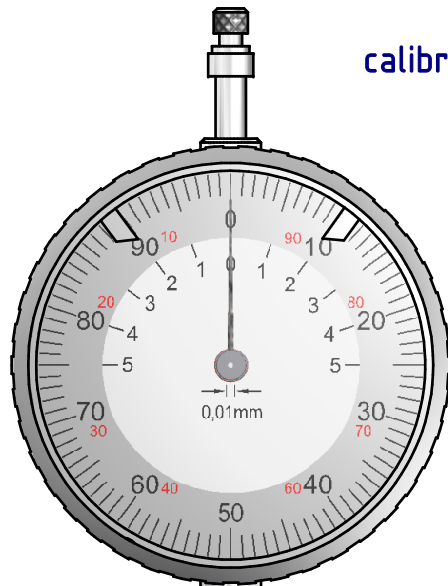
D

C

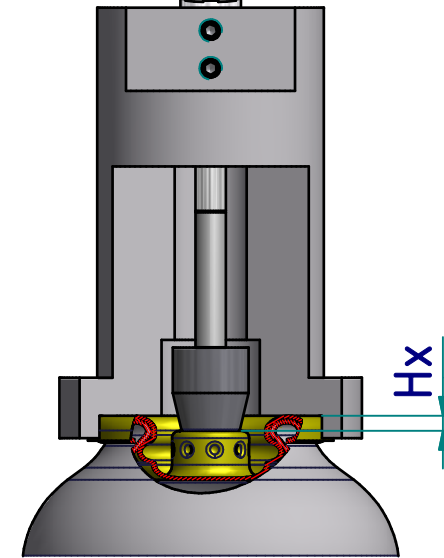
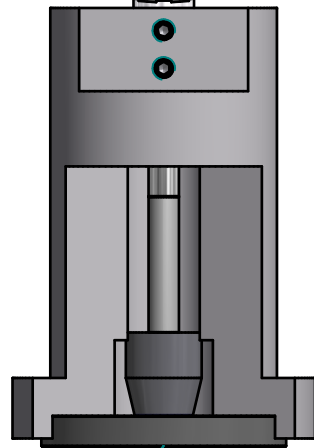
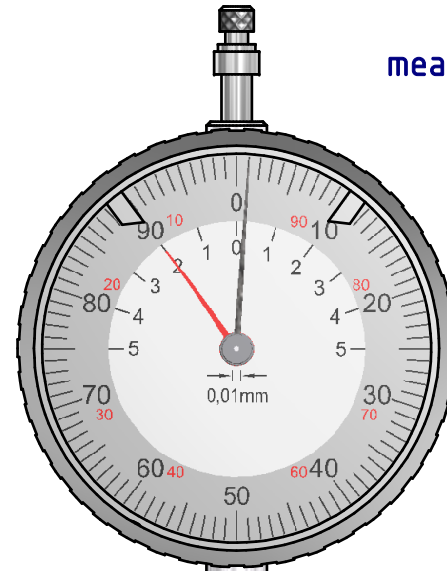
B

A

calibration



measurement



adjust gauge 0641-08
(included in delivery)

HX