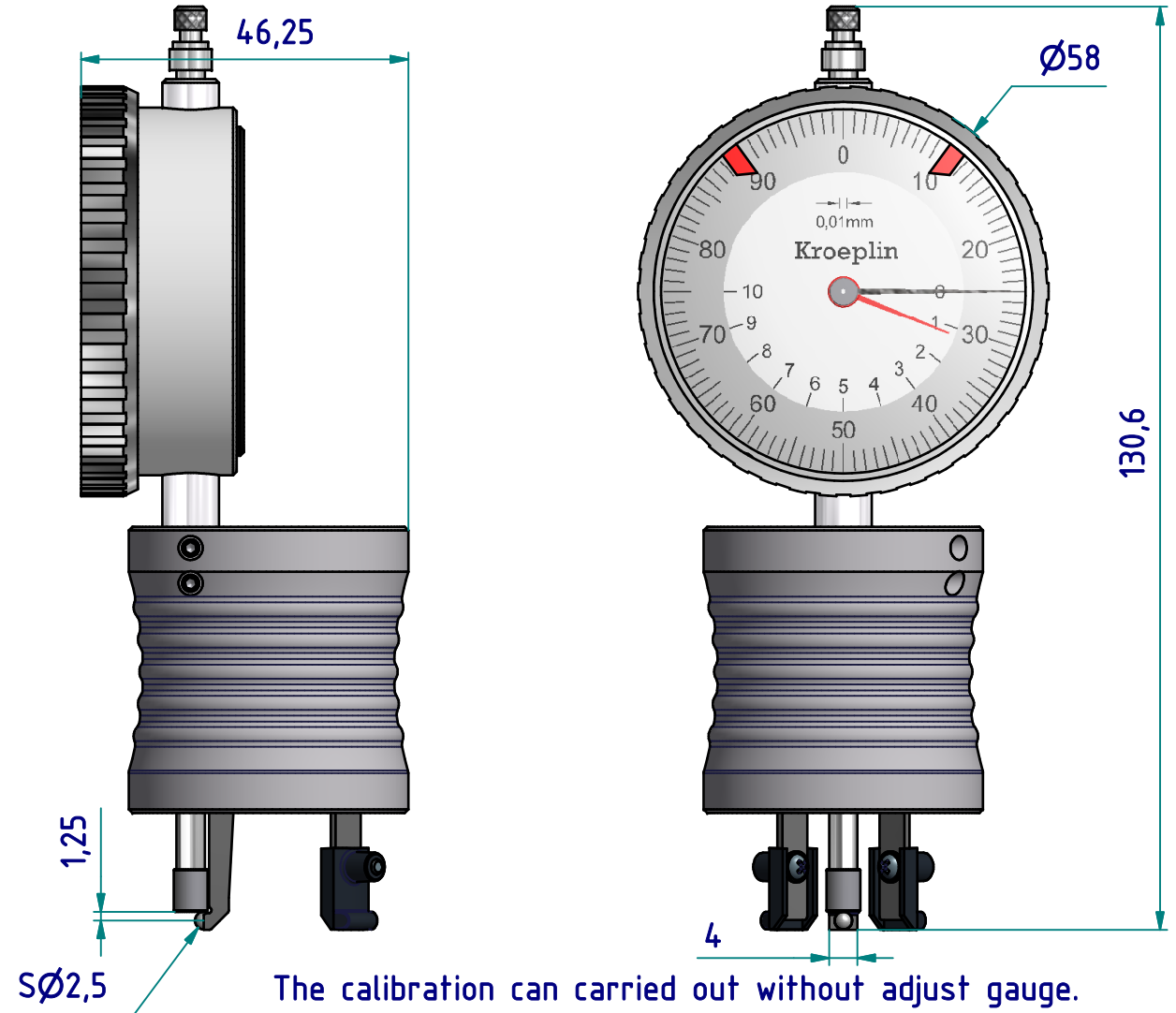


alternative calibration with  
adjust ring  
(not included in delivery)

order number: 0641-32



subject to technical alterations

**type:** aerosol  
**range:** 4,6 - 5,4 mm  
**range of indication:** 1,25-10,3 mm  
**digital step:**  
**scale interval:** 0,01 mm  
**measuring force:** 0,7 - 1,3 N  
**weight:** 230g

**acceptable deviations**  
VDI/VDE/DGQ 2618 Bl. 12.1/13.1)  
**max. permissible errors "G":** 0,02 mm  
**repeatability "r":** 0,02 mm  
**reference temperature:** 20° C  
**operation temperature:** 10° C - 30° C  
**storage temperature:** -10° C - 50° C

**scale:** 1:1  
**drawing-nr.:** IDW-A2105-DB\_e  
**date of issue:** 23.11.2010  
**name:** J.Heuser  
**revision status:** 2123 / JL  
**revision date:** 21.09.2015

4

3

2

1

# A2105

calibration with  
adjust gauge

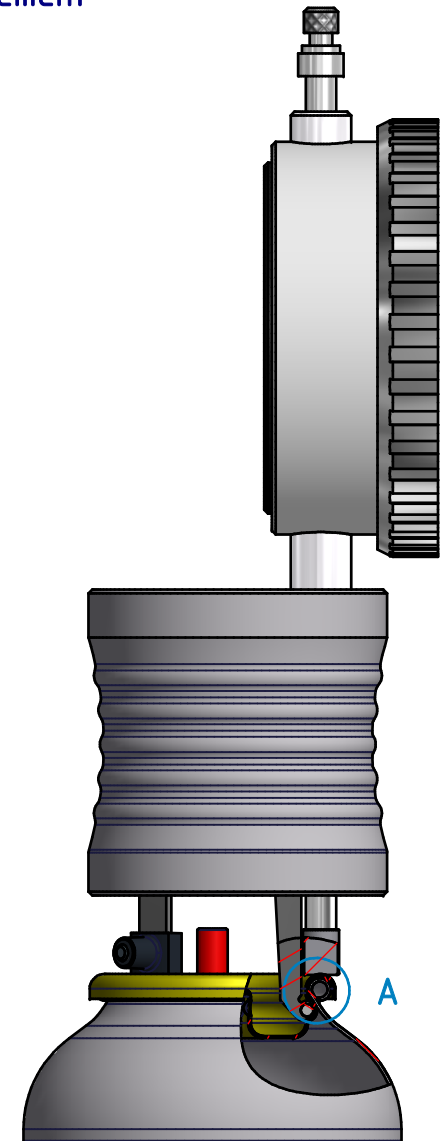
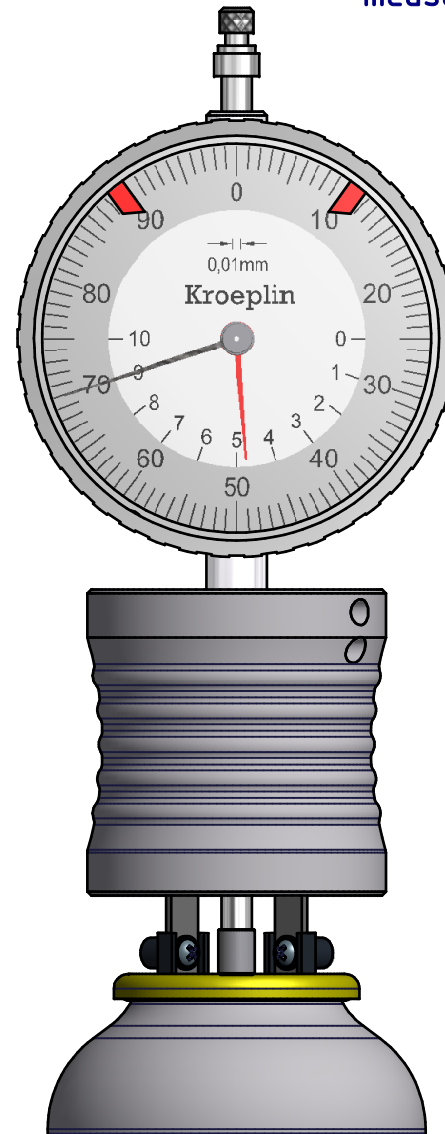
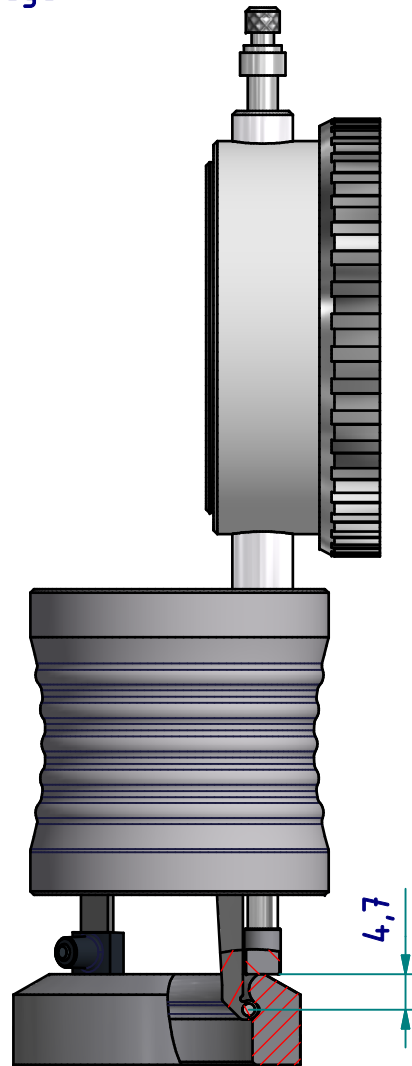
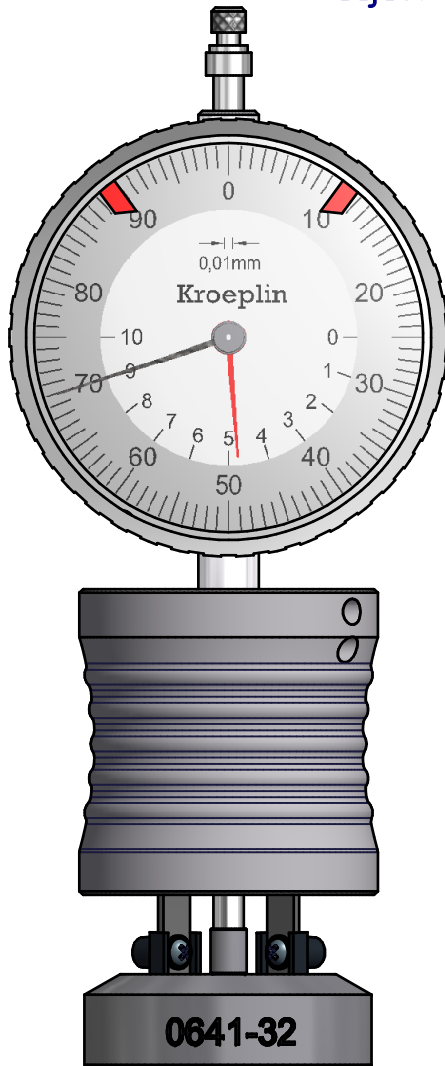
measurement

D

C

B

A



A (2 : 1)

