



**type:** aerosol  
**range:** 4,0 - 8,5 mm  
**range of indication:**  
**digital step:** 0,01 mm  
**scale interval:**  
**measuring force:** 4-10 N  
**weight:** ca. 550 g

acceptable deviations  
 VDI/VDE/DGQ 2618 Bl. 12.1/13.1)  
**max. permissible**  
**errors "G":** 0,06 mm  
**repeatability "r":** 0,03 mm  
**reference temperature:** 20° C  
**operation temperature:** 10° C - 30° C  
**storage temperature:** -10° C - 50° C

**scale:** 1:1  
**drawing-nr.:** IDW-AE116-DB\_e  
**date of issue:** 25.11.2010  
**name:** J.Heuser  
  
**revision status:** 2310 (CT)  
**revision date:** 21.02.2024

4

3

2

1

# AE1166 calibration

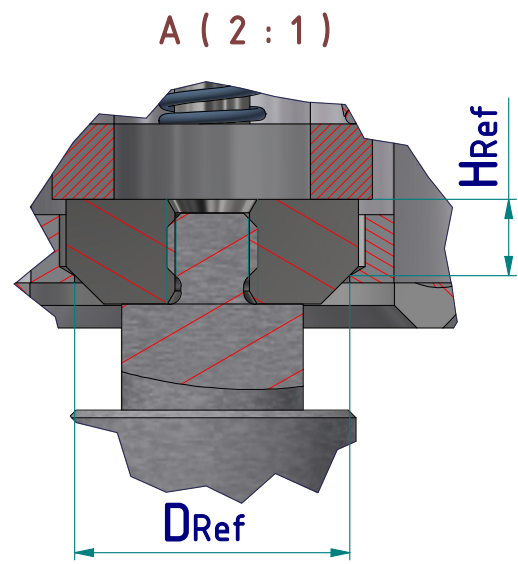
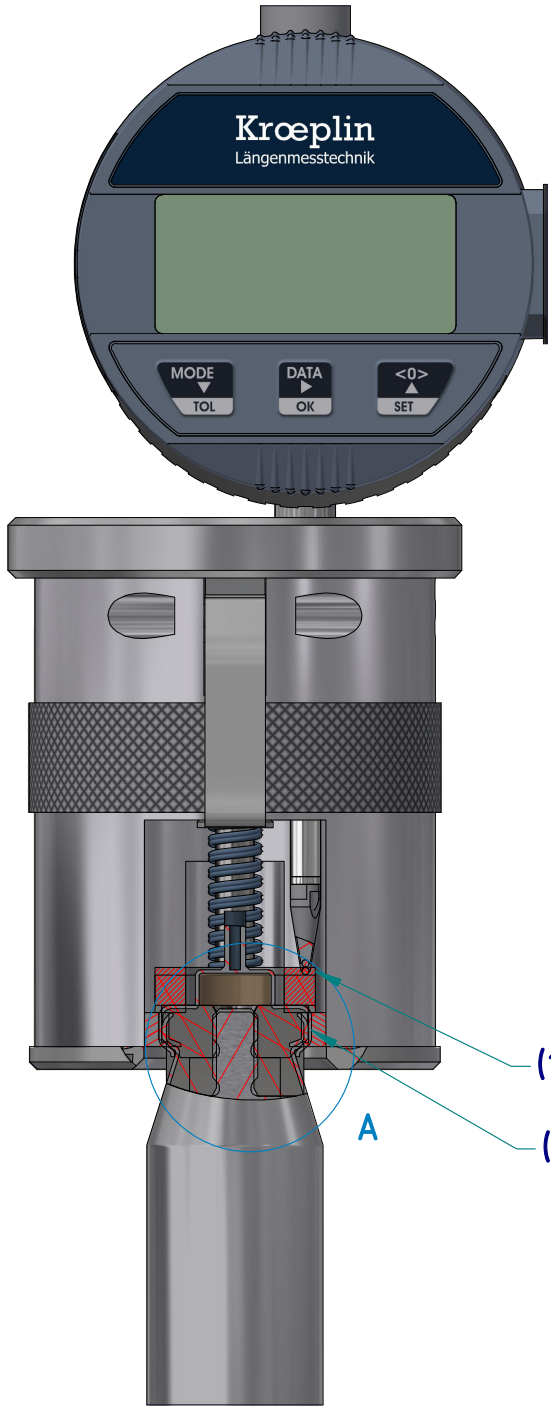
## Adjustment of the dial gauge on reference-height ( $H_{Ref}$ )

D

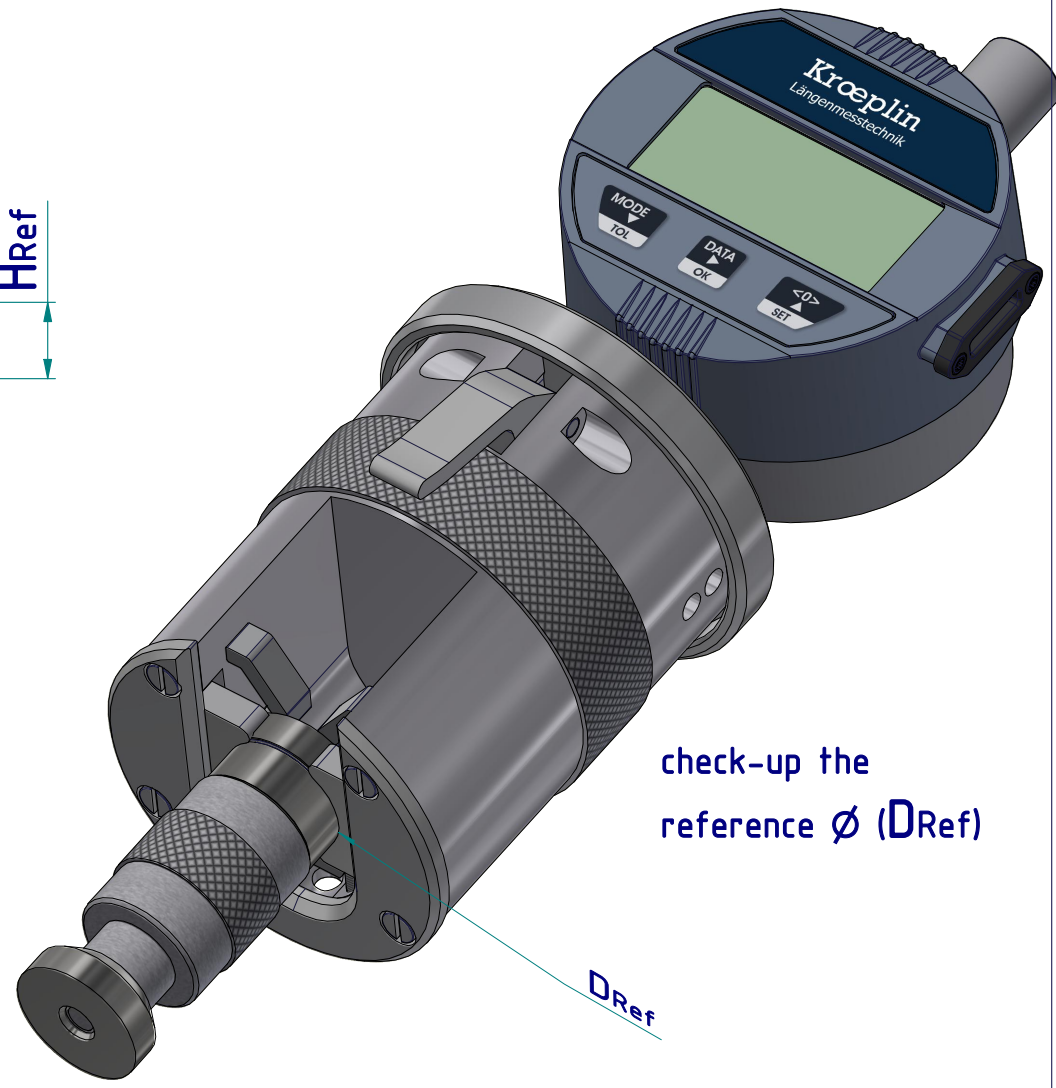
C

B

A



- (1) holding-down clamp
- (2) jaws



check-up the reference  $\varnothing$  ( $D_{Ref}$ )

4

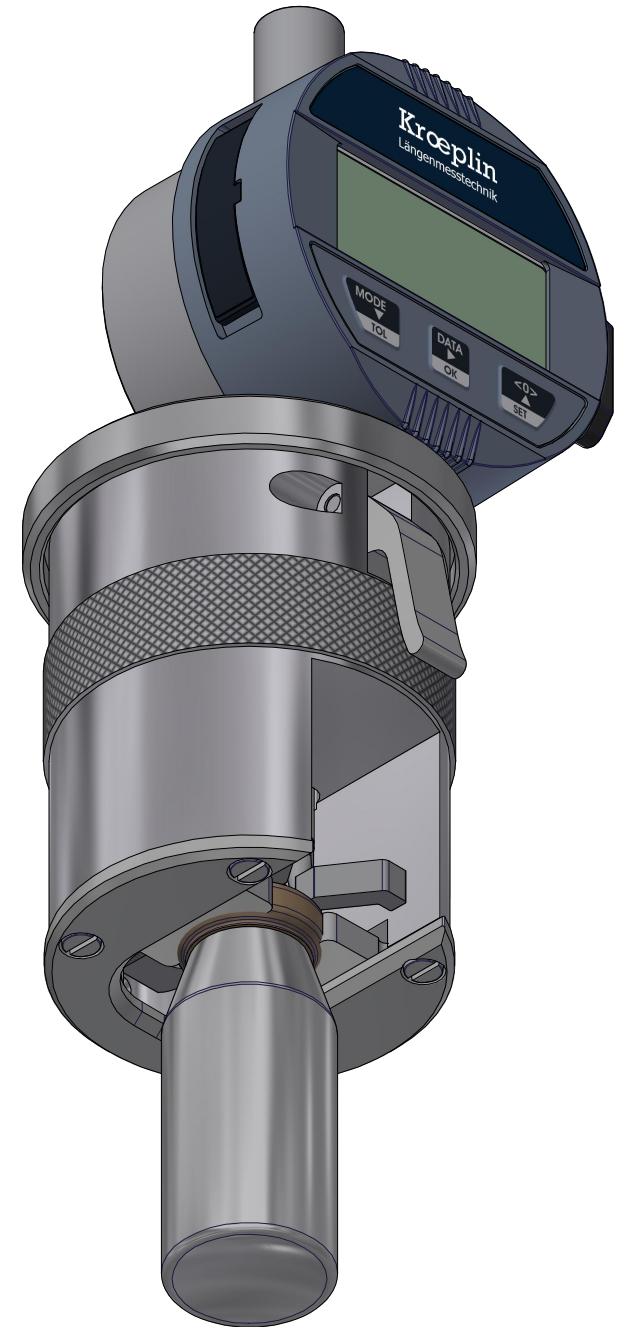
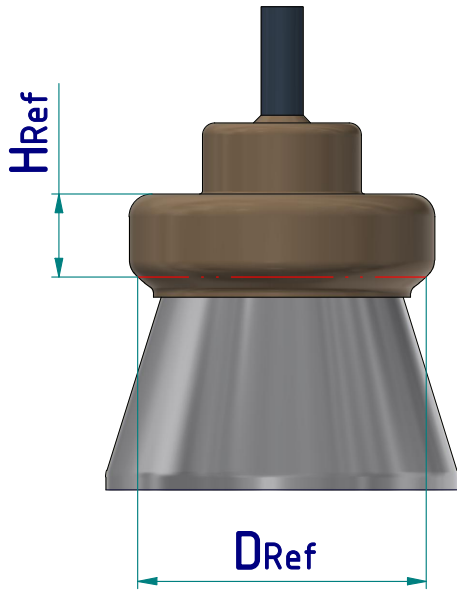
3

2

1

# AE1166

measurement



D

C

B

A

4

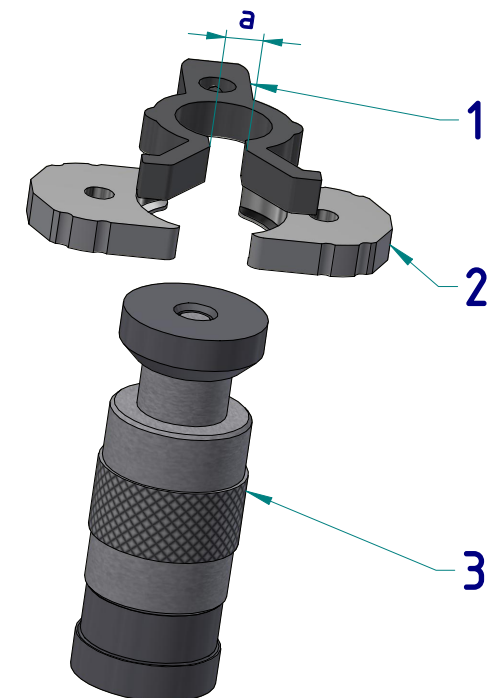
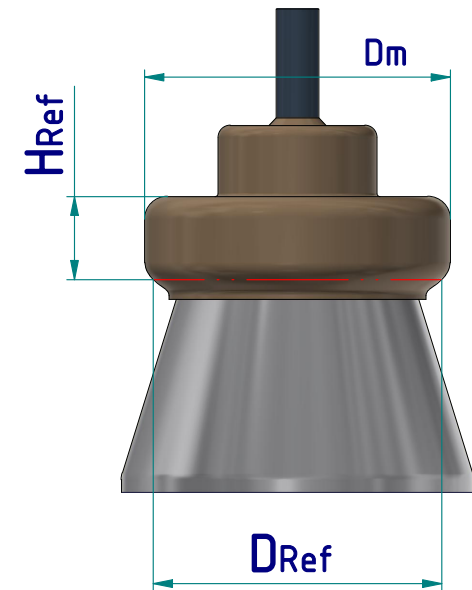
3

2

1

## AE1160 – AE1171 chart of types

instrument, Order-No.	mouth-diameter: "Dm"	reference-diameter "DRef"	reference - height "HRef"	Order-No. jaws (Pos2)	Order-No. Holding-down clamp	a [mm]	Order-No. Calibration-part
AE1161 AE1161 i	14 mm	13,50 mm .5315 inch	5,00 mm .19685 inch	0840-14	0840-11	5	0761-32
AE1162 AE1162 i	15 mm	14,70 mm .5787 inch	7,00 mm .27559 inch	0840-10	0840-19	5	0761-40
AE1163 AE1163 i	16 mm	15,00 mm .5905 inch	5,00 mm .19685 inch	0840-17	0840-19	5	0761-38
AE1164 AE1164 i	16 mm	15,40 mm .6063 inch	5,00 mm .19685 inch	0840-16	0840-11	5	0761-34
AE1166 AE1166 i	19 mm	18,20 mm .7165 inch	5,00 mm .19685 inch	0840-18	0840-19	5	0761-39
AE1167 AE1167 i	20 mm	19,00 mm .76 inch	5,12 mm .20157 inch	0840-03	0840-04	14,6	0761-23
AE1168 AE1168 i	20 mm	19,40 mm .7638 inch	7,00 mm .27559 inch	0840-12	0840-04	14,6	0761-41
AE1169 AE1169 i	20 mm	19,85 mm .7795 inch	5,00 mm .19685 inch	0840-02	0840-04	14,6	0761-15
AE1171 AE1171 i	19 mm	18,20 mm .7165 inch	4,00 mm .15748 inch	0840-27	0840-19	5	0761-40



Please inquire further dimensions.

All instruments are supplied with corresponding jaws, holding-down clamp and calibration part in a wooden case.

A For conversion of a crimp test you need:

1 pc. holding-down clamp

2 pcs. jaws

1 pc. calibration part