



type: aerosol
range: 4,0 - 8,5 mm
range of indication:
digital step: 0,01 mm
scale interval:
measuring force: 4-10 N
weight: ca. 550 g

acceptable deviations
 VDI/VDE/DGQ 2618 Bl. 12.1/13.1)
max. permissible
errors "G": 0,06 mm
repeatability "r": 0,03 mm
reference temperature: 20° C
operation temperature: 10° C - 30° C
storage temperature: -10° C - 50° C

scale: 1:1
drawing-nr.: IDW-AE1169-DB_e
date of issue: 03.08.2016
name: J.Röder

revision status: 2310 (CT)
revision date: 28.02.2024

4

3

2

1

AE1169 calibration

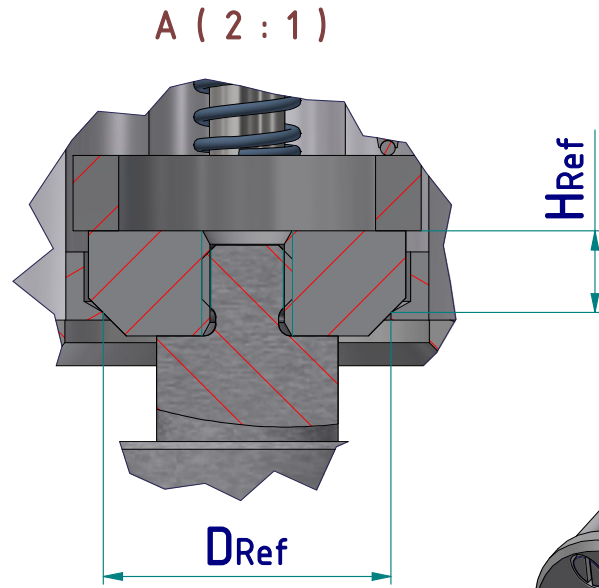
Adjustment of the dial gauge on reference-hight (H_{Ref})

D

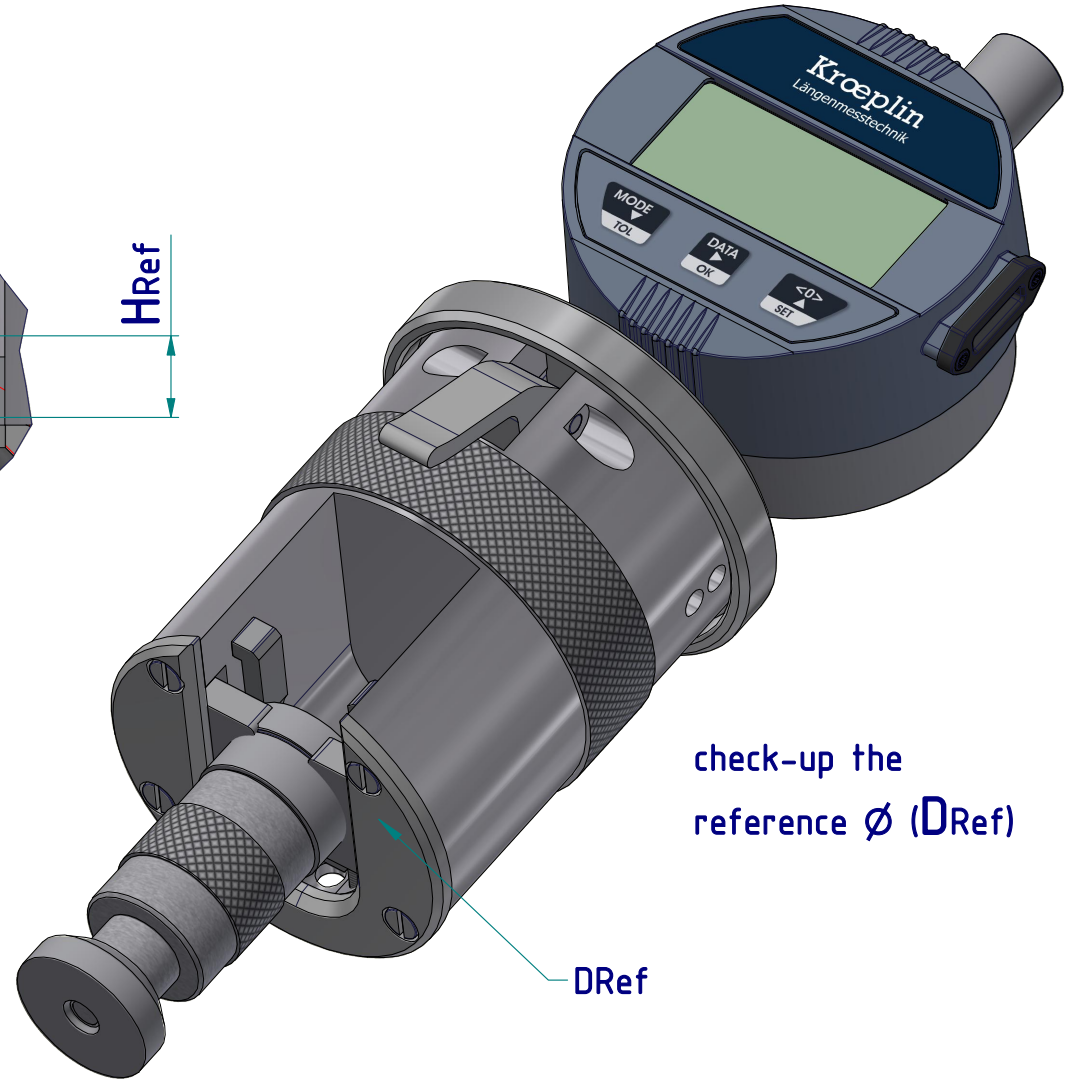
C

B

A



- (1) holding-down clamp
- (2) jaws
- (3) calibration part



check-up the
reference \varnothing (D_{Ref})

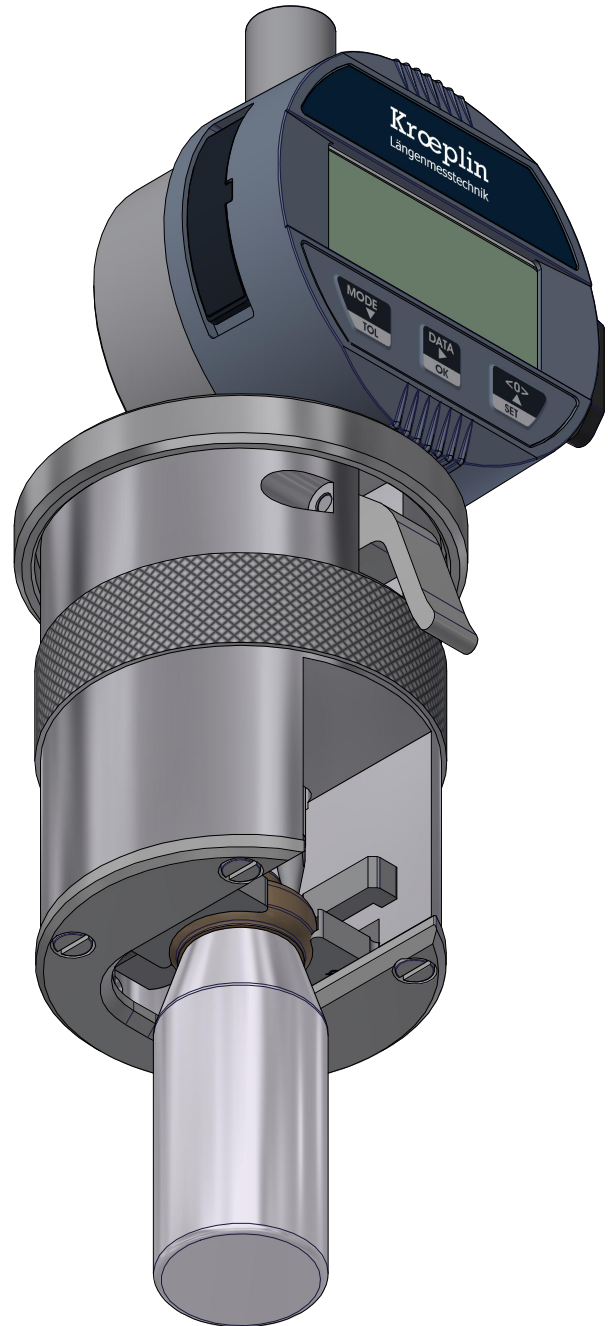
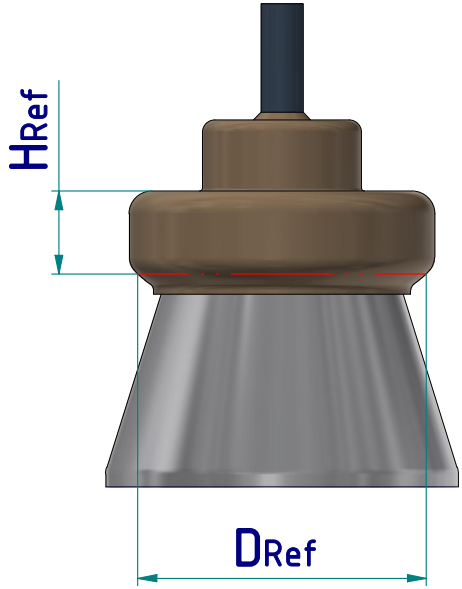
4

3

2

1

AE1169 measurement



D

C

B

A

4

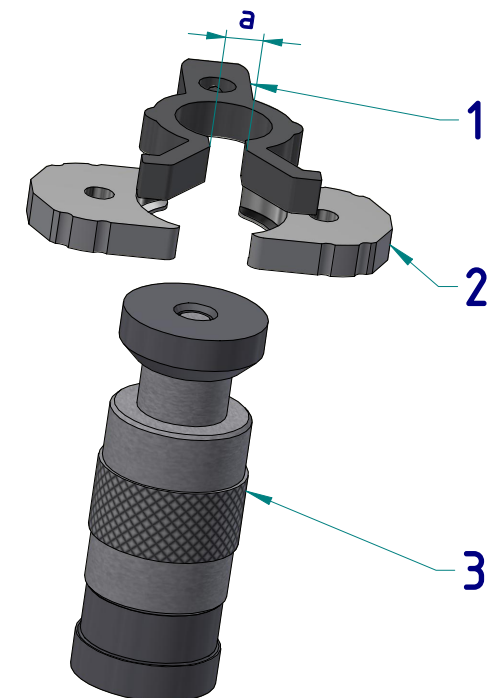
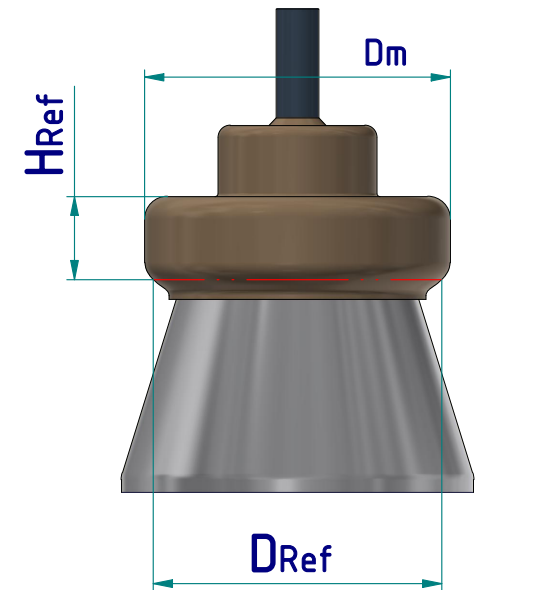
3

2

1

AE1161 – AE1171 chart of types

instrument, Order-No.	mouth-diameter: "Dm"	reference-diameter "DRef"	reference - height "HRef"	Order-No. jaws (Pos2)	Order-No. Holding-down clamp	a [mm]	Order-No. Calibration-part
AE1161 AE1161 i	14 mm	13,50 mm .5315 inch	5,00 mm .19685 inch	0840-14	0840-11	5	0761-32
AE1162 AE1162 i	15 mm	14,70 mm .5787 inch	7,00 mm .27559 inch	0840-10	0840-19	5	0761-40
AE1163 AE1163 i	16 mm	15,00 mm .5905 inch	5,00 mm .19685 inch	0840-17	0840-19	5	0761-38
AE1164 AE1164 i	16 mm	15,40 mm .6063 inch	5,00 mm .19685 inch	0840-16	0840-11	5	0761-34
AE1166 AE1166 i	19 mm	18,20 mm .7165 inch	5,00 mm .19685 inch	0840-18	0840-19	5	0761-39
AE1167 AE1167 i	20 mm	19,00 mm .76 inch	5,12 mm .20157 inch	0840-03	0840-04	14,6	0761-23
AE1168 AE1168 i	20 mm	19,40 mm .7638 inch	7,00 mm .27559 inch	0840-12	0840-04	14,6	0761-41
AE1169 AE1169 i	20 mm	19,85 mm .7795 inch	5,00 mm .19685 inch	0840-02	0840-04	14,6	0761-15
AE1171 AE1171 i	19 mm	18,20 mm .7165 inch	4,00 mm .15748 inch	0840-27	0840-19	5	0761-40



Please inquire further dimensions.

All instruments are supplied with corresponding jaws, holding-down clamp and calibration part in a wooden case.

A For conversion of a crimp test you need:

1 pc. holding-down clamp

2 pcs. jaws

1 pc. calibration part