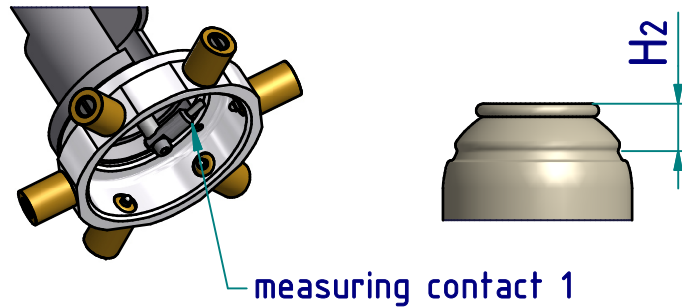
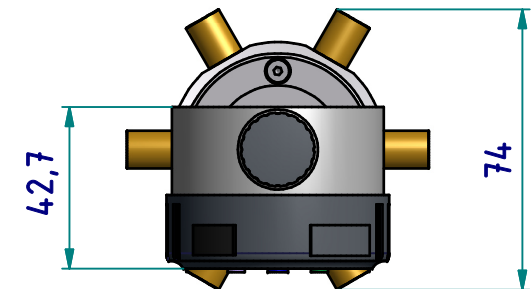
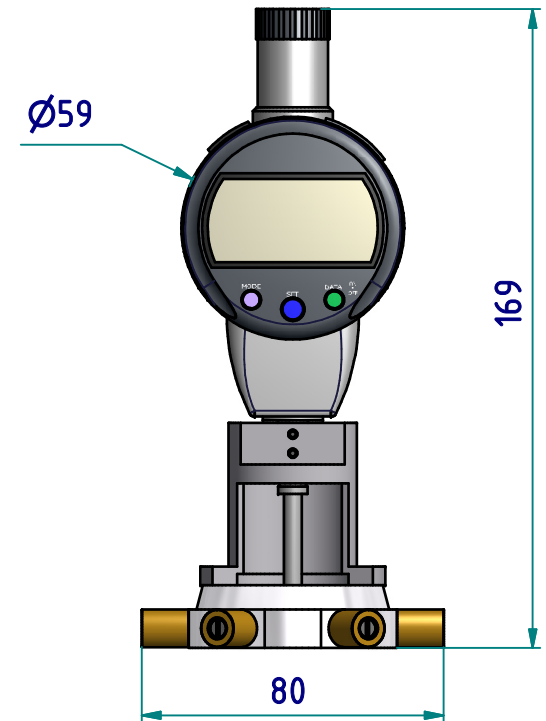
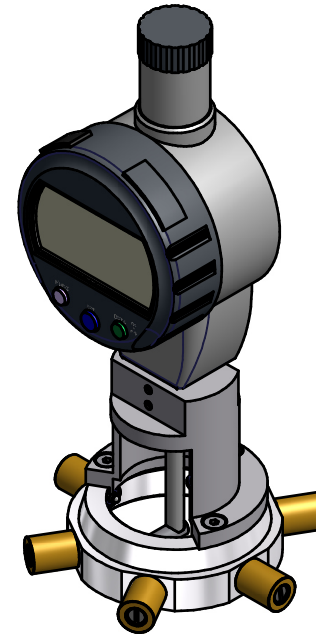


Both applications can be measured by changing the measuring contacts.

measurement of the height H_2



measurement of the height H_{Stem}



subject to technical alterations

type: aerosol
range: 0-25 mm
range of indication:
digital step: 0,01 mm
scale interval:
measuring force: 0,7 - 1,3 N
weight: ca. 430 g

acceptable deviations
VDI/VDE/DGQ 2618 Bl. 12.1/13.1)
max. permissible
errors "G": 0,03 mm
repeatability "r": 0,02 mm
reference temperature: 20° C
operation temperature: 10° C - 30° C
storage temperature: -10° C - 50° C

scale: 1:2
drawing-nr.: IDW-1218-DB_e
date of issue: 25.11.2010
name: J.Heuser

revision status: 2123 / MHe
revision date: 23.09.2015

4

3

2

1

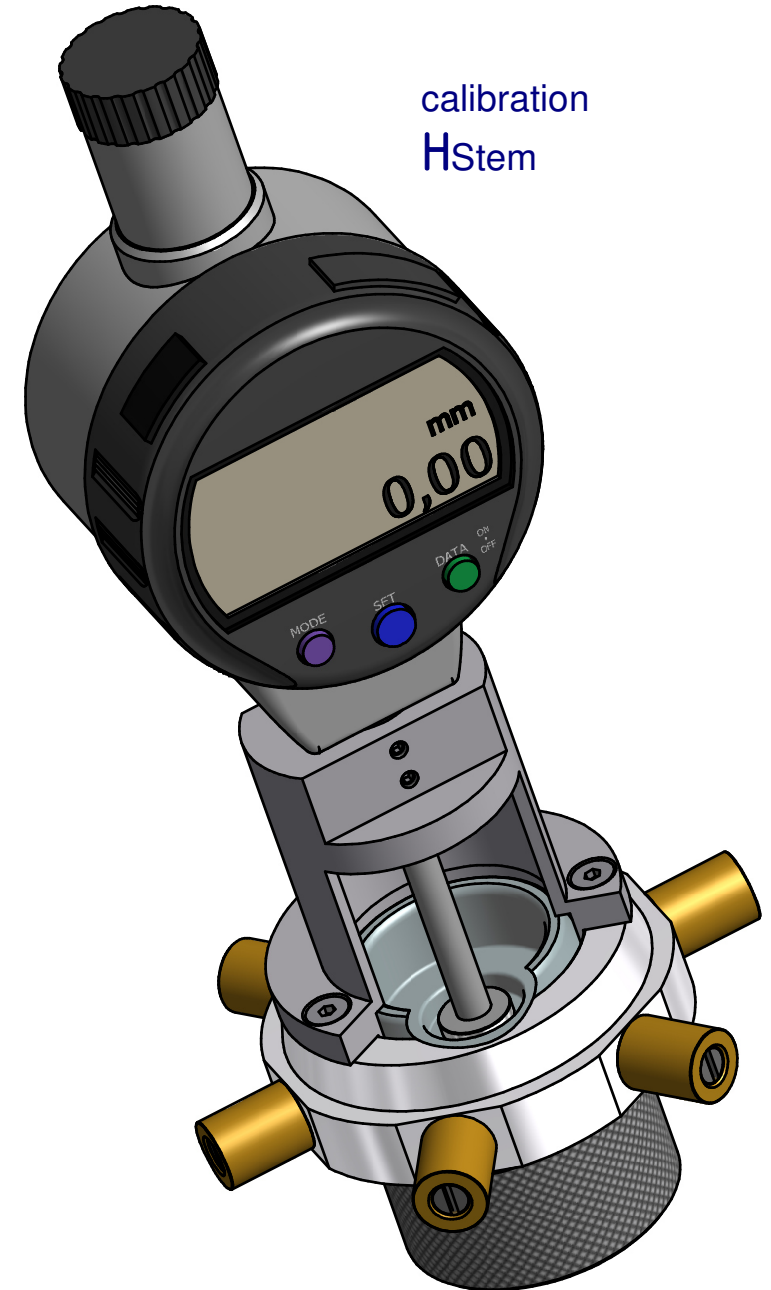
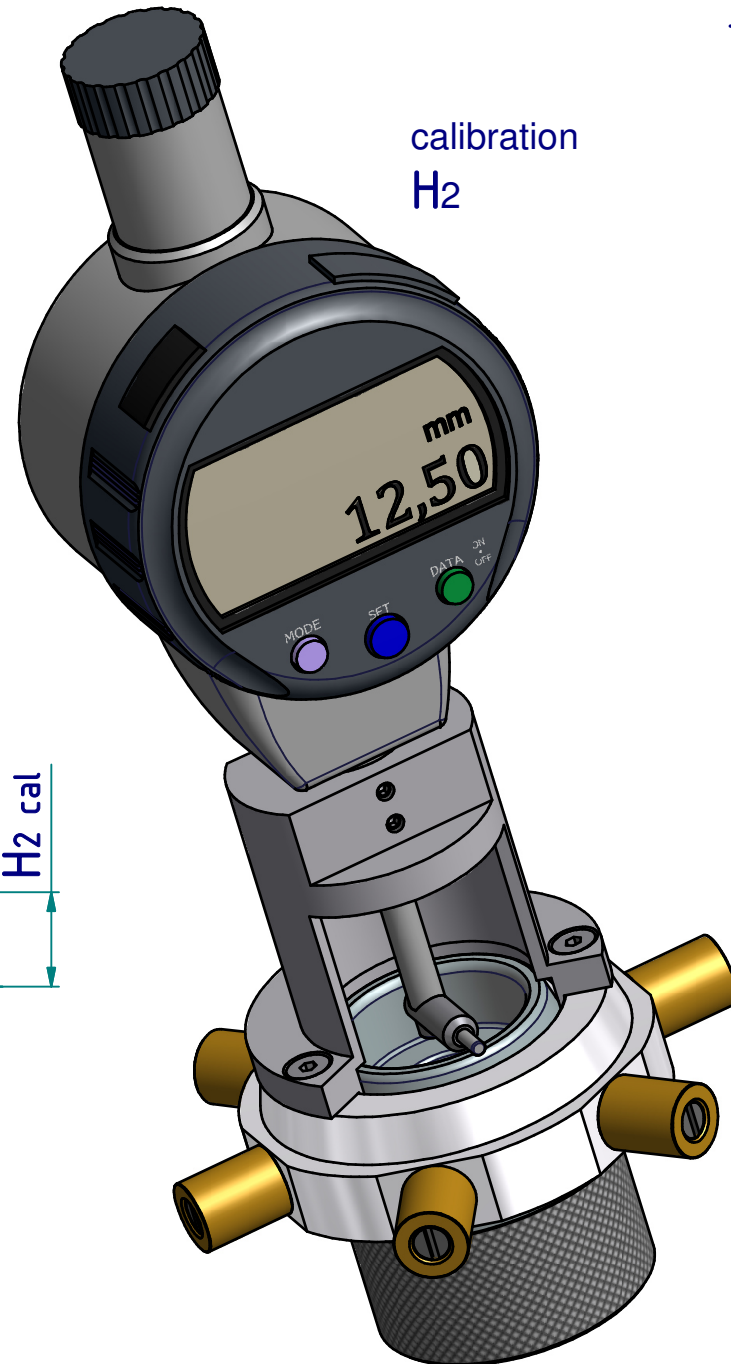
AE1216 - AE1219 / AE1222 - AE1225

D

calibration
H₂

calibration
H_{Stem}

C

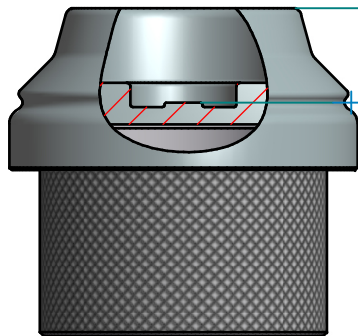


B

adjust ring
(included in delivery)

H_{2 cal}

H_{Stem0}



A

4

3

2

1

A1216 - A1219 / A1222 - A1225

D

measurement
H₂



C

measurement
H_{Stem}



B

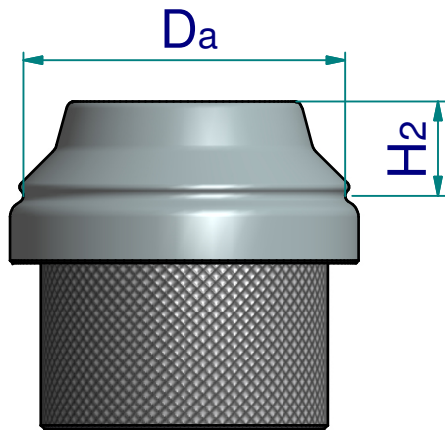
A

AE1216 - AE1219 / AE1222 - AE1225

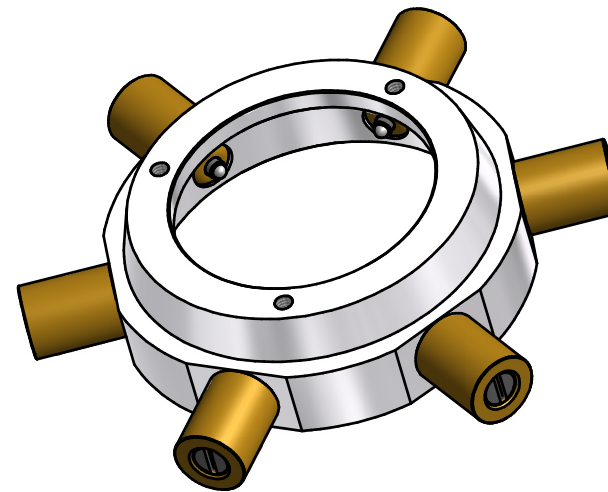
The instruments are differentiated through the different dimensions of the adjust ring (1) and of the basis ring(2).

chart of types

instrument Order-No.	acceptance-diameter D_a	height H_2	(1) adjusting ring Order-No.	(2) basis-ring Order-No.
AE 1216	46,3 mm	12,5 mm	0840-80	0840-30
AE 1217	49,3 mm	16,5 mm	0840-81	0840-31
AE 1218	42,6 mm	12,5 mm	0840-82	0840-32
AE 1219	42,6 mm	8,5 mm	0840-83	0840-32
AE 1222	42,6 mm	16,0 mm	0840-84	0840-34
AE 1223	50,5 mm	17,4 mm	0840-85	0840-35
AE 1224	45,65 mm	20,5 mm	0840-86	0840-36
AE 1225	40,8 mm	16,0 mm	0840-87	0840-37



(1) adjust ring



(2) basis ring