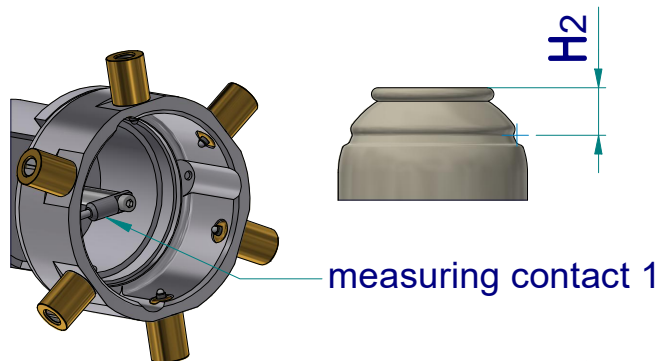
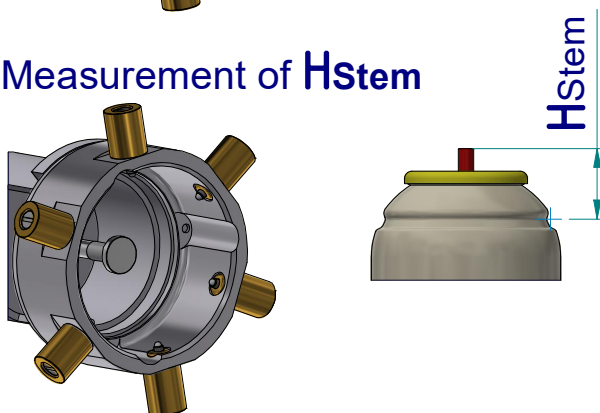


Both applications can be measured by changing the measuring contacts.

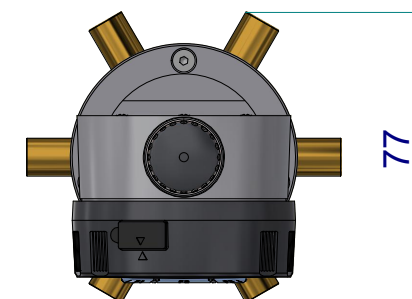
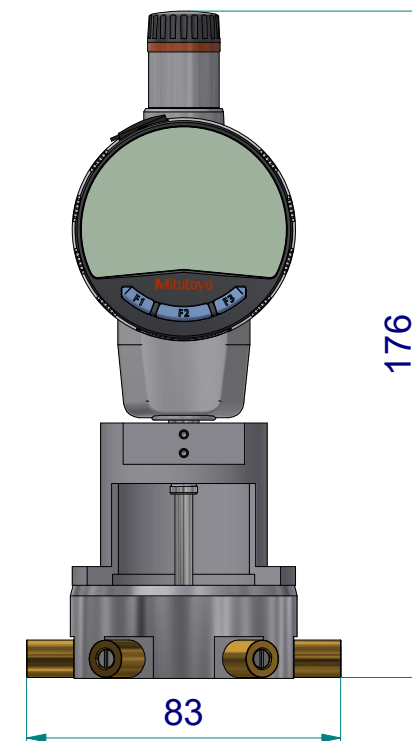
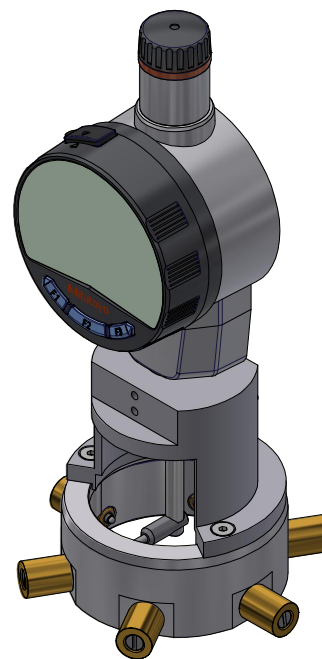
Measurement of H_2



Measurement of H_{Stem}



subject to technical alterations



type: Aerosol
range: 0-25 mm
range of indication:
digital step: 0,01 mm
scale interval:
measuring force: 0,7 - 1,3 N
weight: ca. 430g

acceptable deviations
VDI/VDE/DGQ 2618 Bl. 12.1/13.1)
max. permissible errors "G": 0,03 mm
repeatability "r": 0,02 mm
reference temperature: 20° C
operation temperature: 10° C - 30° C
storage temperature: -10° C - 50° C

scale: 1:2
drawing-nr.: IDW-AE1224-DB_e
date of issue: 14.01.16
name: A. Wess
revision status: 2325/ AP
revision date: 17.09.2024

4

3

2

1

AE1224

D

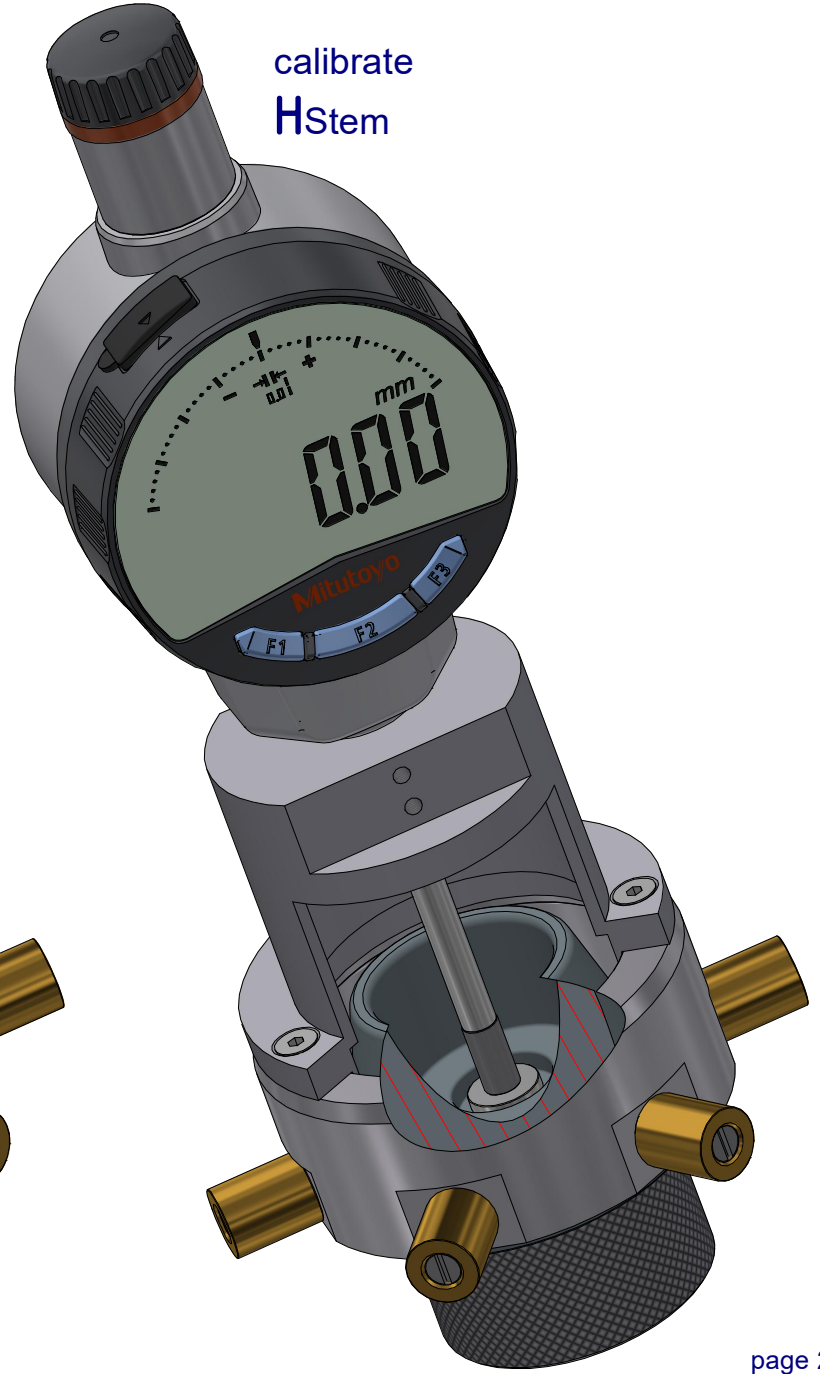
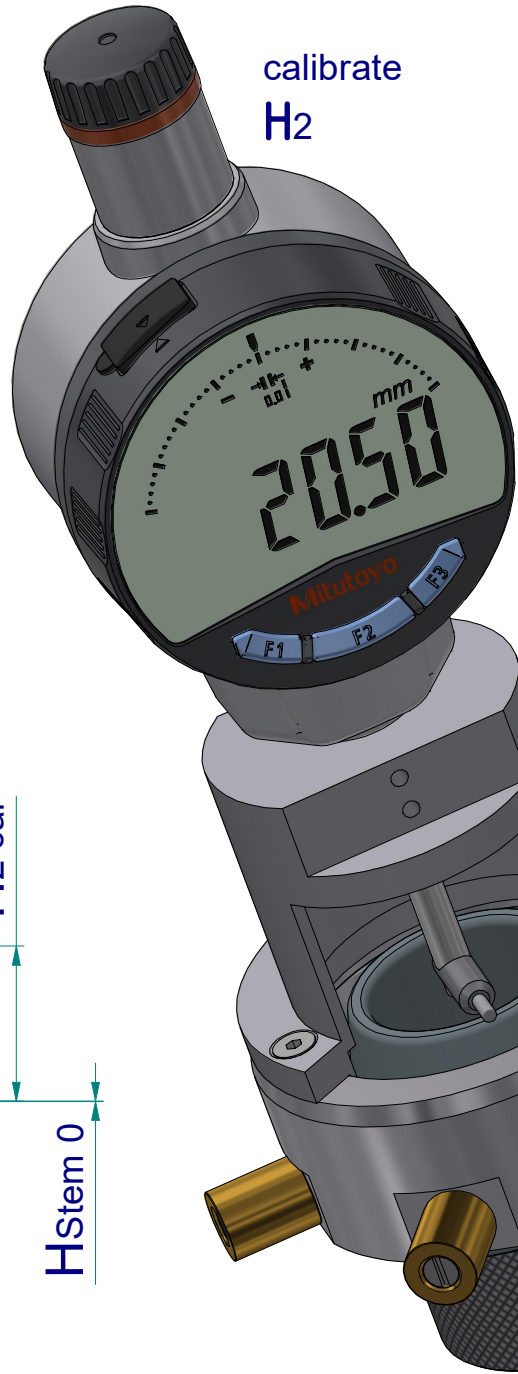
C

B

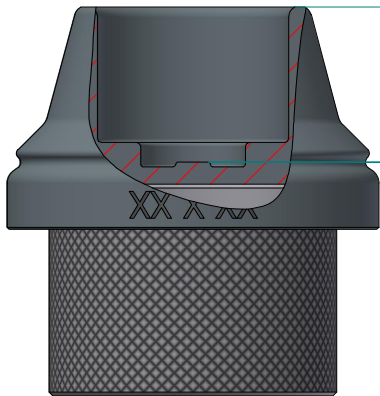
A

calibrate
H₂

calibrate
H_{Stem}



adjust ring
(included in delivery)



H₂ cal

H_{Stem} 0

4

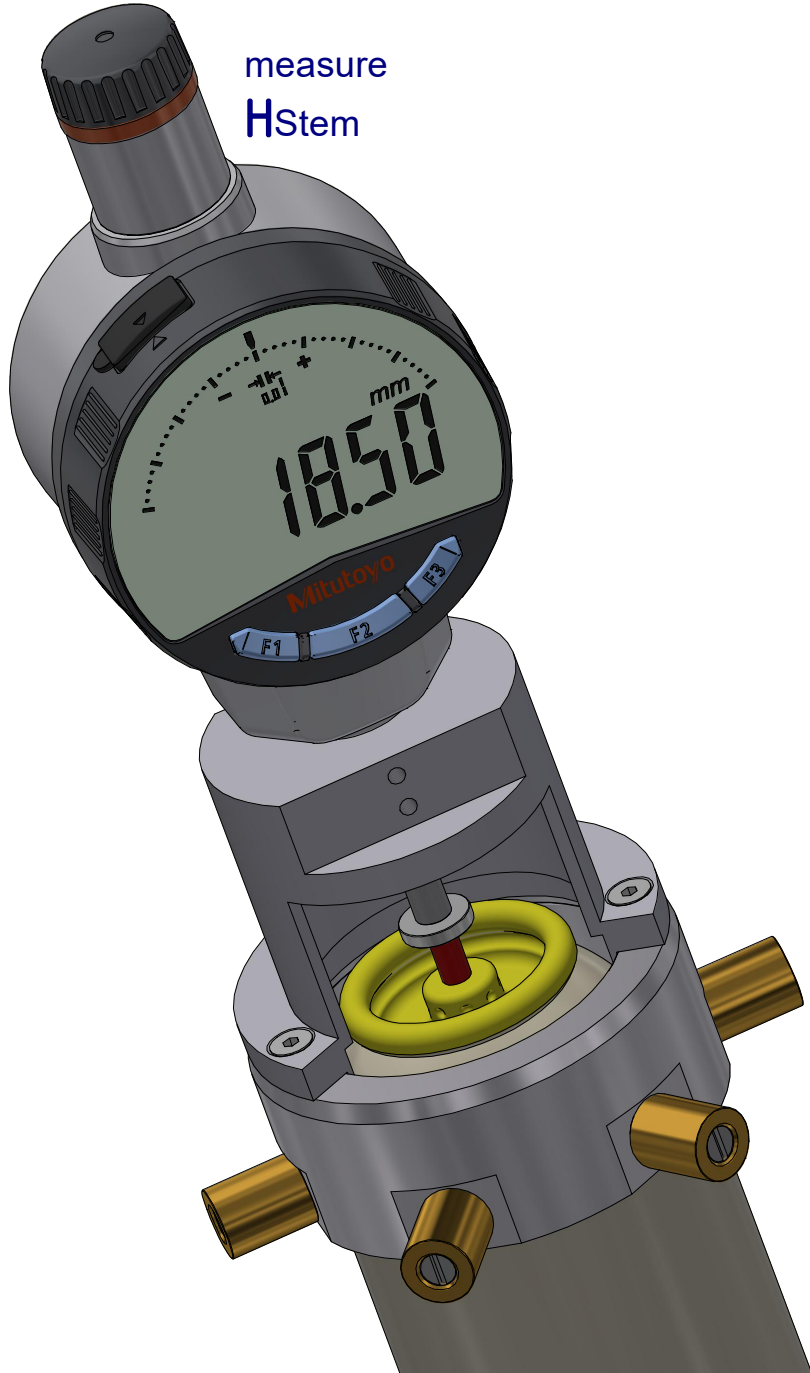
3

2

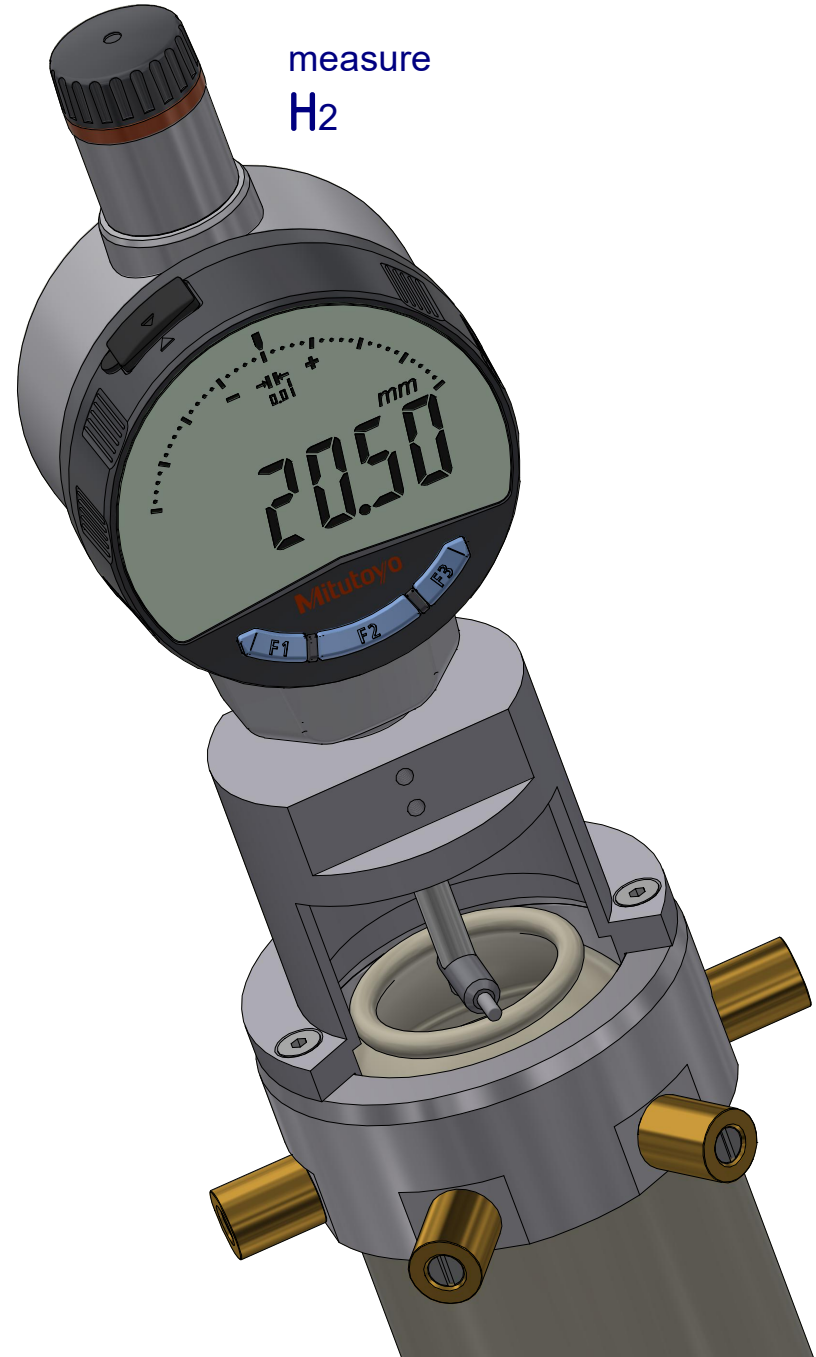
1

AE1224

measure
HStem



measure
H₂



4

3

2

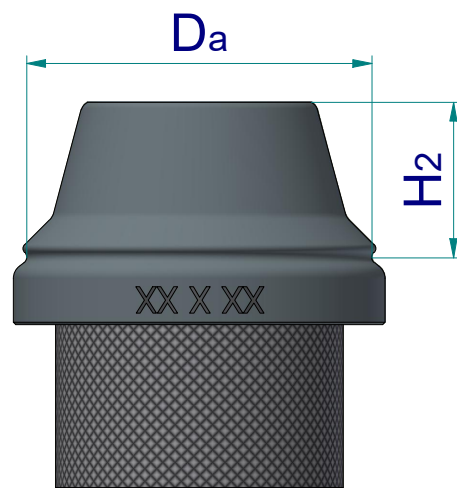
1

AE1224

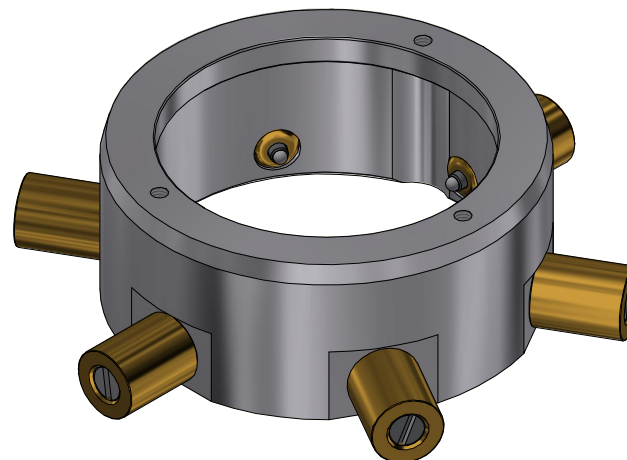
The instruments are differentiated through the different dimensions of the adjust ring (1) and of the basis ring (2).

chart of types

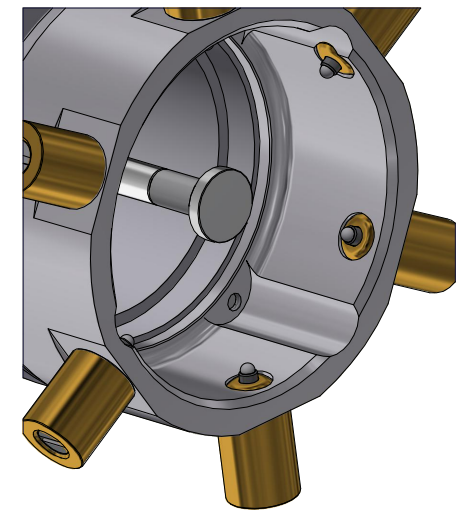
instrument order-No.	acceptance - diameter D_a	height H_2	(1) adjustment ring order-No.	(2) basisring order-No.	(3) HStem measuring contact	extension 0820-43
AE1214	49,7 mm	22,5 mm	0840-92	AE1214-1	0251-12	-
AE1216	46,3 mm	12,5 mm	0840-80	0840-30	0251-12	-
AE1217	49,3 mm	16,5 mm	0840-81	0840-31	0251-12	-
AE1218	42,6 mm	12,5 mm	0840-82	0840-32	0251-12	-
AE1219	42,6 mm	8,5 mm	0840-83	0840-32	0251-12	-
AE1222	42,6 mm	16,0 mm	0840-84	0840-34	0701-78	-
AE1223	50,5 mm	17,4 mm	0840-85	0840-35	0701-78	-
AE1224	45,65 mm	20,5 mm	0840-86	0840-36	0251-12	ja
AE1225	40,8 mm	16,0 mm	0840-87	0840-37	0251-12	-
AE1227	49,4 mm	11,5 mm	0840-89	0840-32	0701-78	-



(1) adjust ring



(2) basis ring



(3) measuring contact